

Trusted. Tested. Tough.®



SECTION: Z6.20.400
 ZM2544
 0426
 Supersedes
 1015

MAIL TO: P.O. BOX 16347 • Louisville, KY 40256-0347
 SHIP TO: 3649 Cane Run Road • Louisville, KY 40211-1961
 Tel: (502) 778-2731 • 1 (800) 928-PUMP

Visit our website:
 zoellerengineered.com

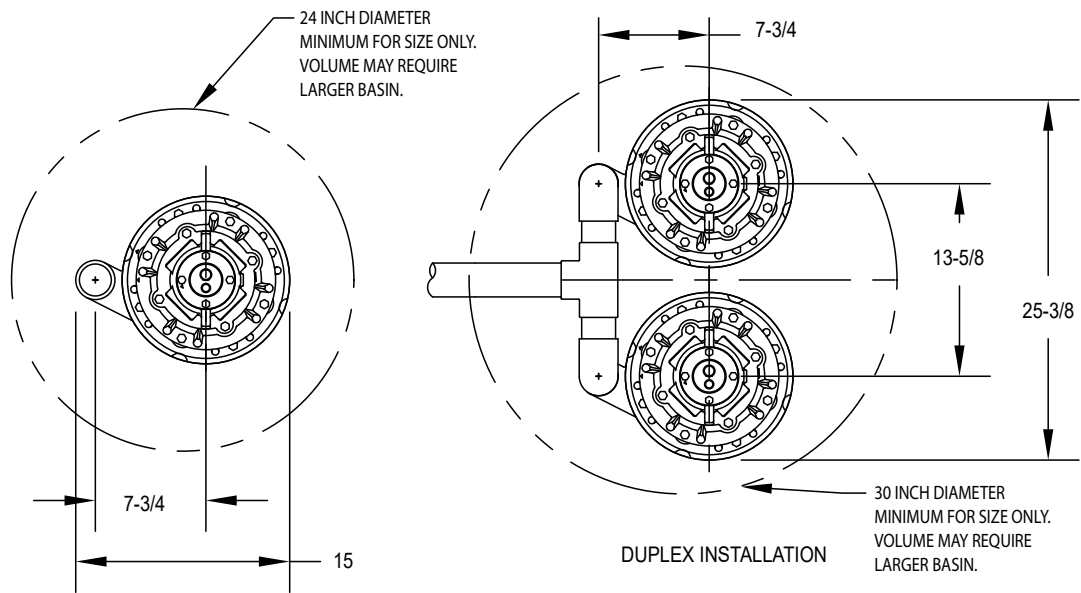
Product information presented here reflects conditions at time of publication. Consult factory regarding discrepancies or inconsistencies.



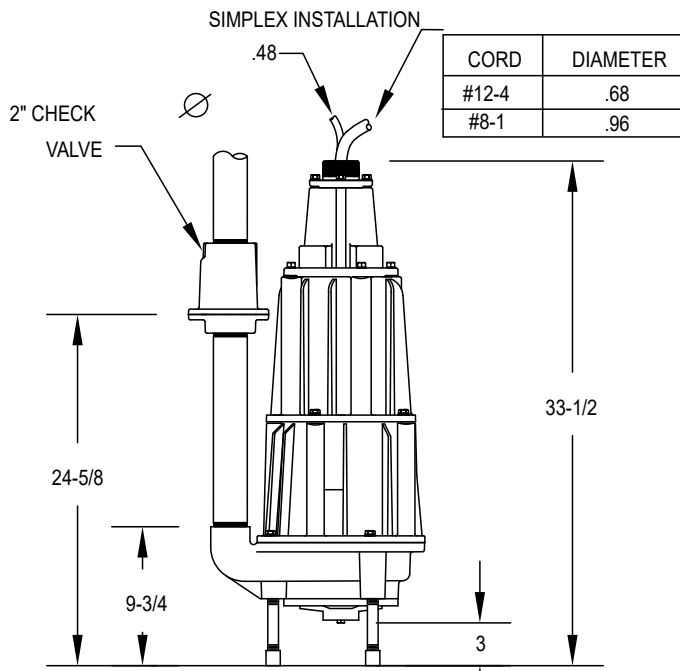
X71 HAZARDOUS ENVIRONMENT SERIES

CLASS I, DIVISION 1, GROUPS C & D
 GRINDER PUMPS DIMENSIONAL DATA

3, 5, & 7-1/2 HP - 3450 RPM
 2" NPT Vertical Discharge Units
 Floor Mounted



DIMENSIONS BASED ON STD. ANSI FITTING SIZES
 CHECK VALVES REQUIRED, NOT SHOWN FOR CLARITY
 ALL DIMENSIONS IN INCHES UNLESS OTHERWISE NOTED



NOTE: All dimensions in inches unless otherwise noted.

See Reverse Side for "Rail Mounted"

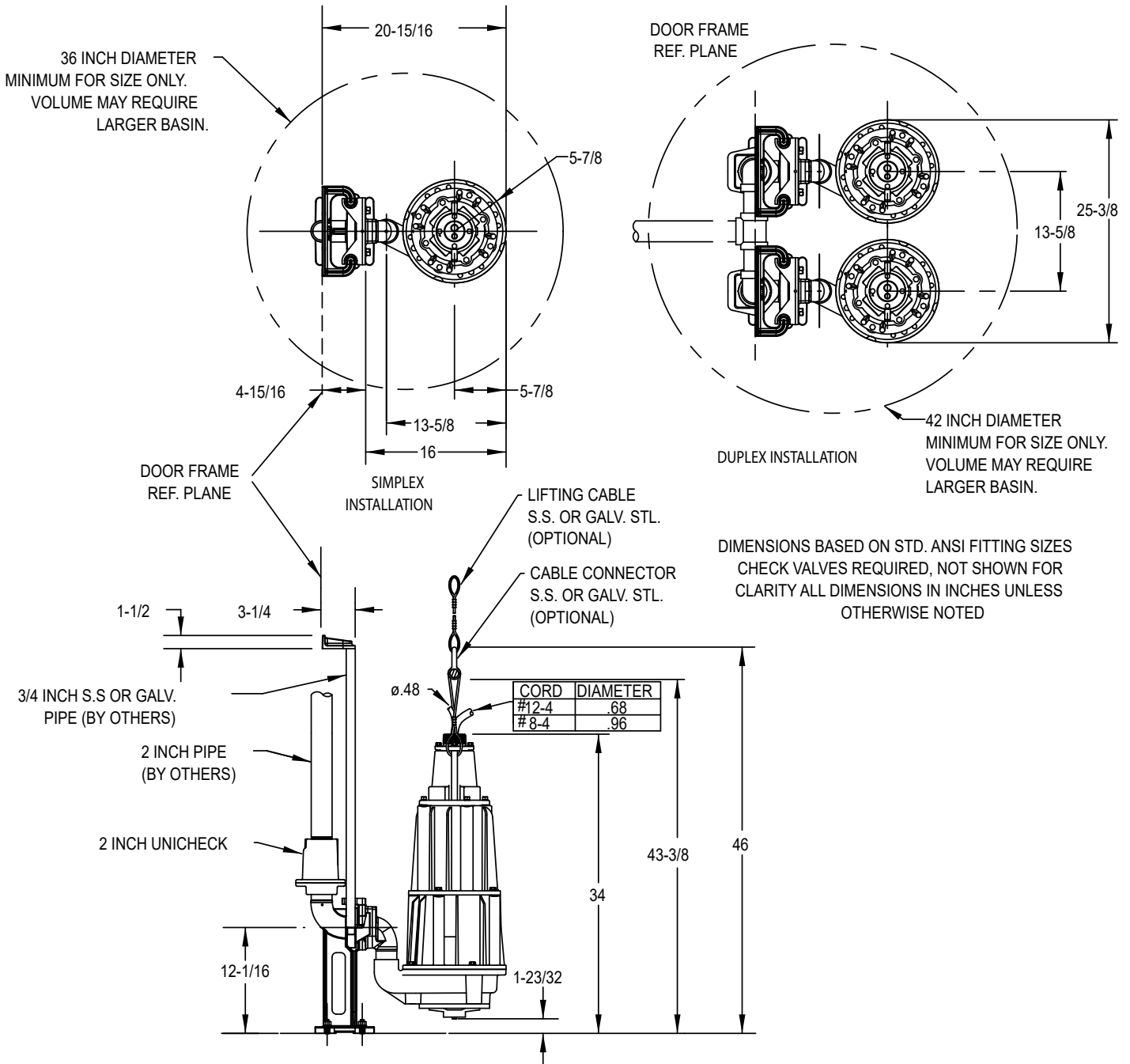
© Copyright 2026 Zoeller® Co. All rights reserved.

ZEPA0628



X71 HAZARDOUS ENVIRONMENT SERIES

CLASS I, DIVISION 1, GROUPS C & D
 GRINDER PUMPS DIMENSIONAL DATA
 3, 5, & 7-1/2 HP - 3450 RPM
 2" NPT Vertical Discharge Units
 P/N 39-0147, 39-0149 Rail Mounted



ZEPA0629

NOTE: All dimensions in inches unless otherwise noted.

See Reverse Side for "Floor Mounted"

© Copyright 2026 Zoeller® Co. All rights reserved.