



MAIL TO: P.O. BOX 16347 • Louisville, KY 40256-0347
 SHIP TO: 3649 Cane Run Road • Louisville, KY 40211-1961
 Tel: (502) 778-2731 • 1 (800) 928-PUMP

Visit our website:
 zoellerengineered.com

Product information presented here reflects conditions at time of publication. Consult factory regarding discrepancies or inconsistencies.

70 SERIES - MODELS 7011 & 7013

TECHNICAL DATA

2 HP GRINDER PUMPS- DUAL SEAL

MODELS:	<input type="checkbox"/> 7011	<input type="checkbox"/> 7013
CONFIGURATION:	REVERSING	SINGLE DIRECTION
PUMP NAME PLATE HORSEPOWER:	2.0	2.0
SERVICE FACTOR:	1.2	1.2
NEC LOCKED ROTOR CODE:	K	K
MAXIMUM KW INPUT:	3.9	3.9
STANDARD IMPELLER DIAMETER:	5.515" (140 mm)	6.188" (157 mm)
DISCHARGE SIZE:	<input type="checkbox"/> 1.25" VERTICAL OR <input type="checkbox"/> 1.25" HORIZONTAL	

IMPELLER TYPE:	DUCTILE IRON VORTEX	TANDEM SEALS:	STANDARD
CUTTER & PLATE:	440C SS HARDENED TO RC 55-60	MOTOR DESIGN LETTER:	NEMA B (3 Ph) NEMA L (1Ph)
PUMP NET WEIGHT:	137 lbs. (1 PH), 132 lbs. (3 PH) 62 kg. (1 PH), 60 kg. (3 PH)	POWER CORD LENGTH: ft (m) (20' STANDARD)	<input type="checkbox"/> 25' (7.6 m) <input type="checkbox"/> 50'** (15.2 m)
O-RINGS:	VITON	POWER CORD:	14 GAUGE SOOW
MOTOR SHAFT:	416 SS	SENSOR CORD:	18 GAUGE SOOW
RPM:	3450	STATOR & LEAD WIRES INSULATION:	CLASS F
MOTOR TYPE:	SUBMERSIBLE	MAXIMUM STATOR TEMPERATURE:	311 °F (155 °C)

SHAFT SEAL CONSTRUCTION:	STANDARD	CARBON/CERAMIC UPPER SILICON CARBIDE/CARBON LOWER
	OPTIONAL UPPER	<input type="checkbox"/> SILICON CARBIDE/SILICON CARBIDE
	OPTIONAL LOWER	<input type="checkbox"/> SILICON CARBIDE/SILICON CARBIDE
STANDARD SENSING DEVICES*	MOTOR THERMAL SHUTOFF	INTEGRAL OVERLOAD (1 PH) OR THERMAL SENSOR (3 PH)
	MOISTURE DETECTION	MOISTURE DETECTION PROBES
IMPELLER TRIM	<input type="checkbox"/> OPTIONAL	DESIGN POINT: ___ GPM @ ___' TDH, IMPELLER DIA. ___"
MAXIMUM WATER TEMPERATURE:		130 °F (54 °C)

* Requires a circuit in control panel to function.

**Not available for 200 volt 1 phase (l) models.

MODEL	HP	SERVICE FACTOR	<input type="checkbox"/> 200V / 1 PH		<input type="checkbox"/> 230V / 1 PH		<input type="checkbox"/> 200V / 3 PH		<input type="checkbox"/> 230V / 3 PH		<input type="checkbox"/> 460V / 3 PH	
			FLA	LRA	FLA	LRA	FLA	LRA	FLA	LRA	FLA	LRA
7011	2.0	1.2	20.0	60.7	17.2	57.3	12.3	47.0	10.8	28.0	5.5	20.6
7013	2.0	1.2	20.0	60.7	17.2	57.3	12.3	47.0	10.8	28.0	5.5	20.6

*Single phase units require a set of capacitors and relay starting components.

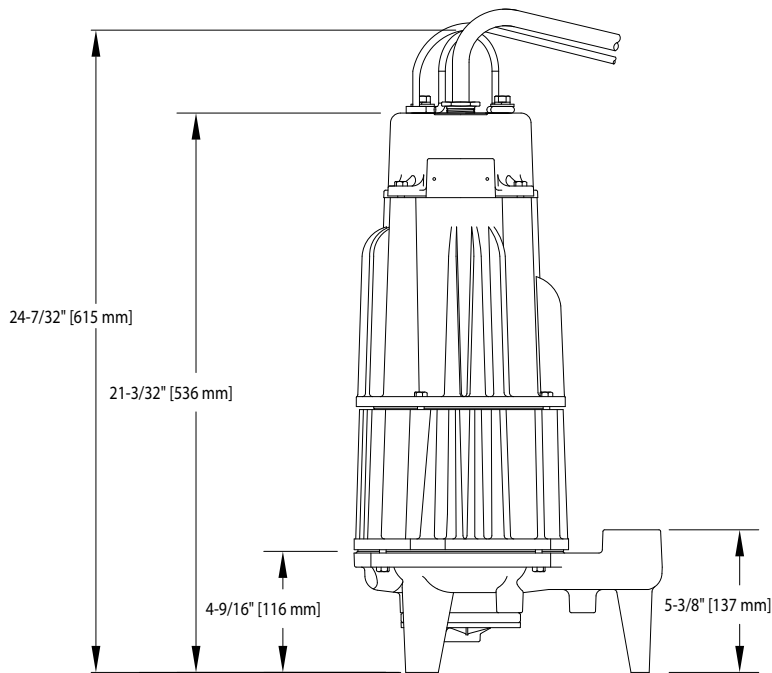
FEATURES

- Durable epoxy coated cast iron construction
- Bearings - upper and lower ball bearing
- Stainless steel motor shaft
- Motor - 2 HP, 60 Hz, 3450 RPM, 1 & 3 Ph, oil-filled, hermetically sealed, thermal sensor protected
- Dual mechanical shaft seals - upper carbon/ceramic, lower silicon carbide/carbon
- Viton O-ring seals and cover gasket
- Impeller - non-clogging ductile iron vortex impeller
- 7011 reversing model
- 7013 single direction model
- 20' UL listed 3-wire SOOW cord. Longer cords available in 25' & 50'.
- Hardened 440C stainless steel cutter and disc, Rockwell C55-60
- 304 SS hardware
- 1.25" NPT Horizontal or Vertical discharge
- 100% computerized tested

Standard all models - 20 ft. cord - 2 HP				
7011 Models	Control Section			Listed
	Volts	Ph	Amps	cCSAus
E7011*	230	1	17.2	Yes
I7011*	200	1	20.0	Yes
F7011	230	3	10.8	Yes
J7011	200	3	12.3	Yes
G7011	460	3	5.5	Yes

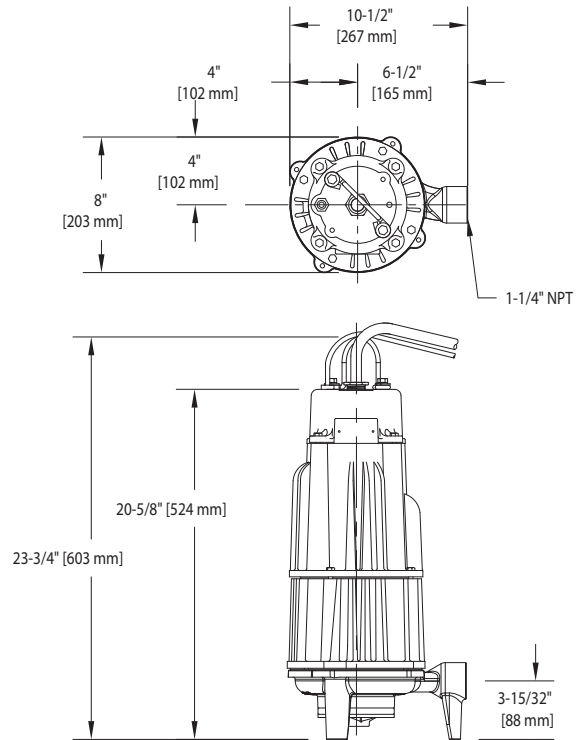
Standard all models - 20 ft. cord - 2 HP				
7013 Models	Control Section			Listed
	Volts	Ph	Amps	cCSAus
E7013*	230	1	17.2	Yes
I7013*	200	1	20.0	Yes
F7013	230	3	10.8	Yes
J7013	200	3	12.3	Yes
G7013	460	3	5.5	Yes

VERTICAL DISCHARGE



SK1322

HORIZONTAL DISCHARGE

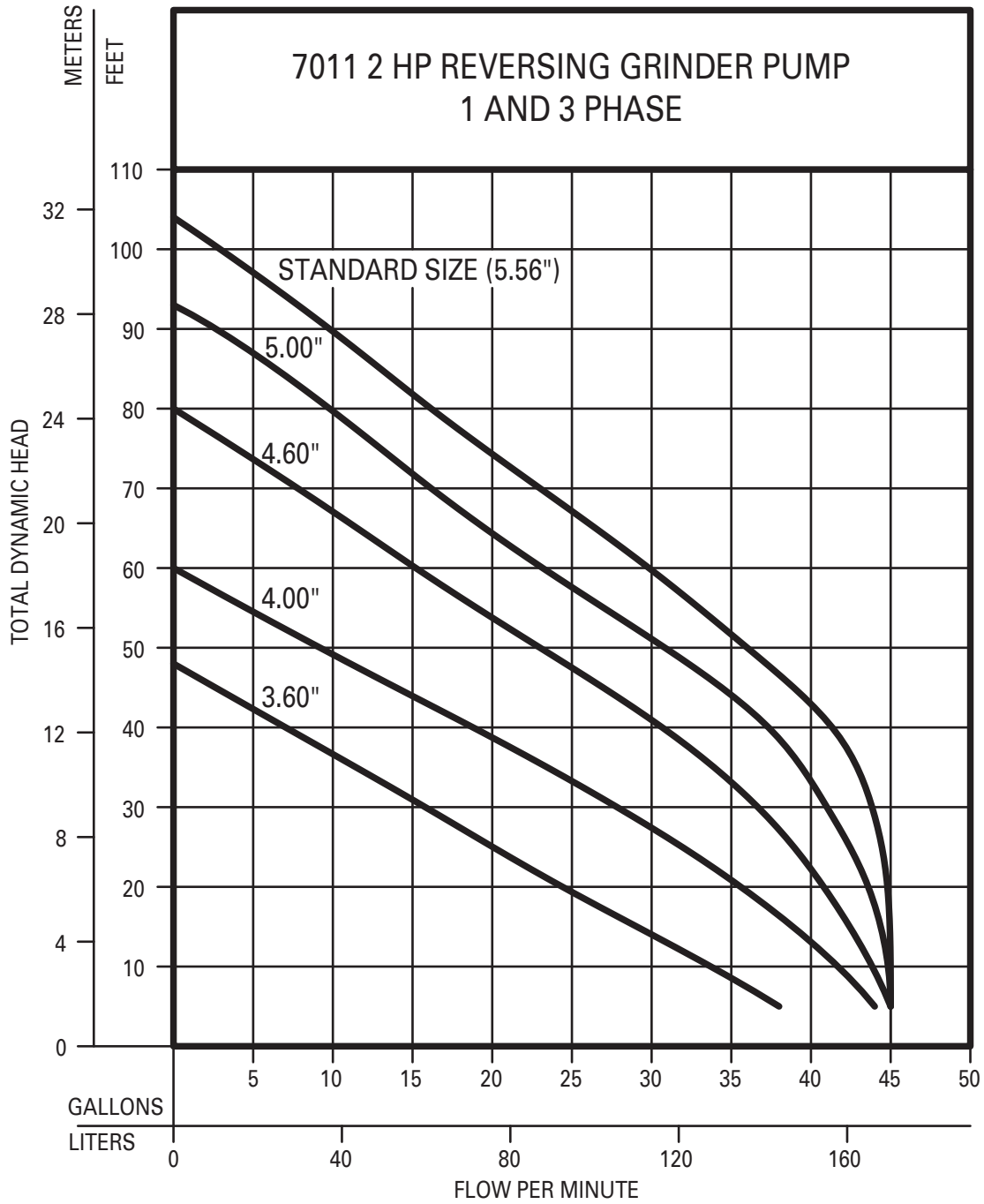


SK3354

7011 REVERSING PERFORMANCE DATA 2 HP Grinder Pump



Patent No.
6,364,620

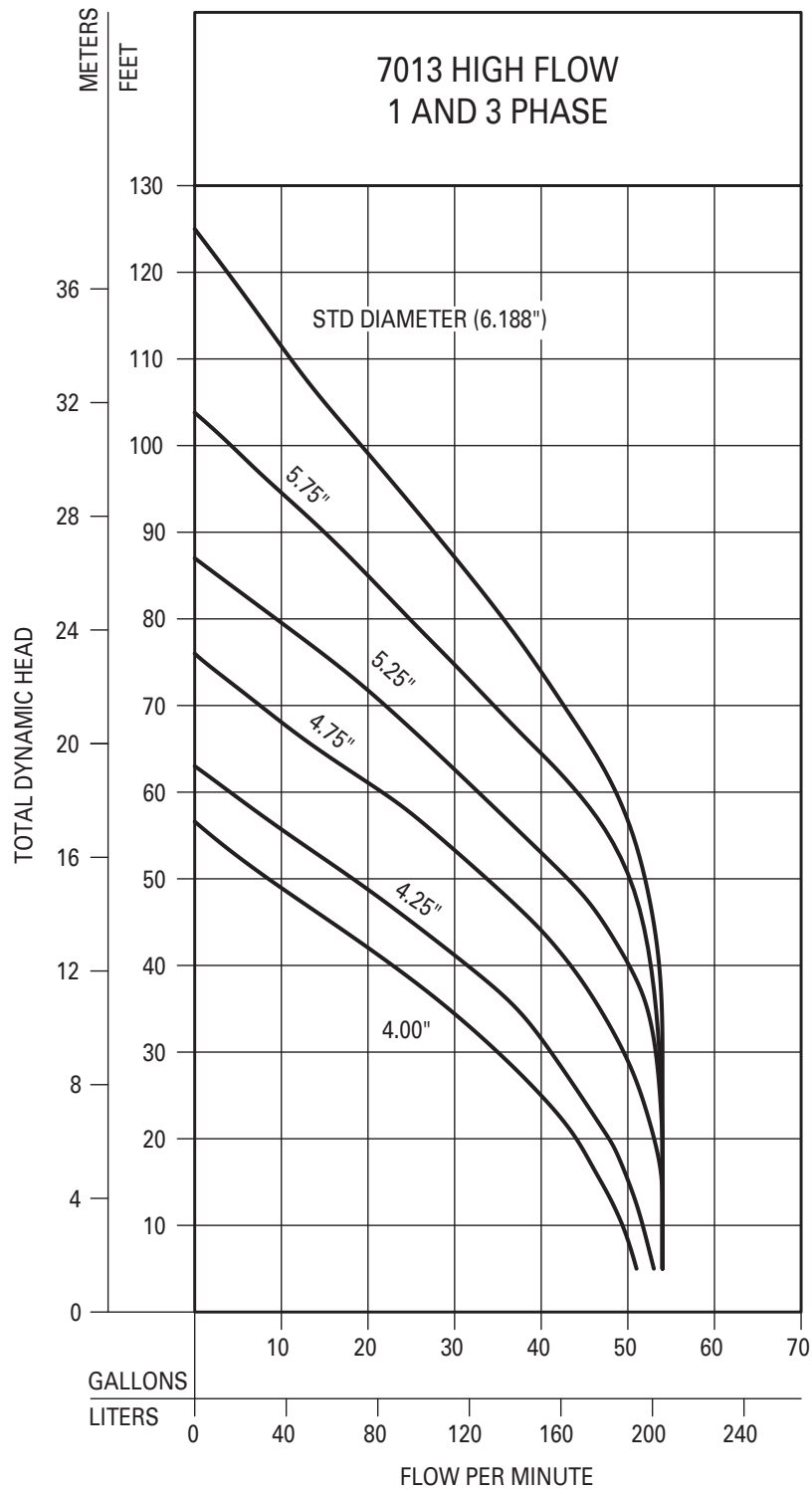


ZEPB0572

7013 SINGLE DIRECTION

PERFORMANCE DATA

2 HP Grinder Pump



155279