

MAIL TO: P.O. BOX 16347 • Louisville, KY 40256-0347  
SHIP TO: 3649 Cane Run Road • Louisville, KY 40211-1961  
Tel: (502) 778-2731 • 1 (800) 928-PUMP

Visit our website:  
zoellerengineered.com

Product information presented here reflects conditions at time of publication. Consult factory regarding discrepancies or inconsistencies.

## REPLACEMENT PARTS LIST FOR 7010 GRINDER MODELS:

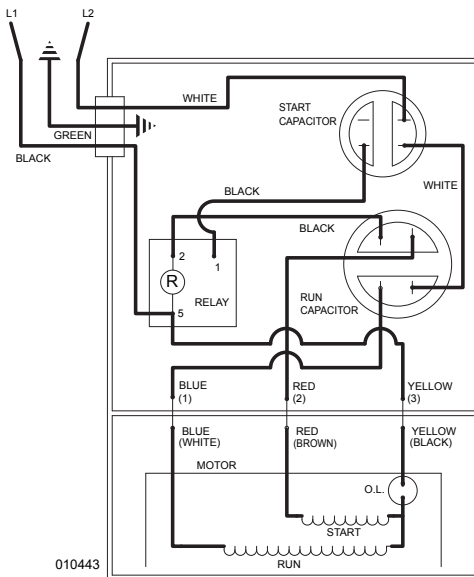
- EI70710 NONAUTOMATIC 200-230V 1PH
- WDH7010 AUTOMATIC w/wired float switch 200-230V 1PH
- E7010 NONAUTOMATIC 230V 1PH (Obsolete as of 4/22/2024)
- I7010 NONAUTOMATIC 200V 1PH (Obsolete as of 4/22/2024)
- WD7010 AUTOMATIC w/wired float switch 230V 1PH (Obsolete as of 4/22/2024)
- WH7010 AUTOMATIC w/wired float switch 200V 1PH (Obsolete as of 4/22/2024)
- J7010 NONAUTOMATIC 200 V 3PH (Obsolete as of 10/1/2023)
- F7010 NONAUTOMATIC 230 V 3PH (Obsolete as of 10/1/2023)
- G7010 NONAUTOMATIC 460 V 3PH (Obsolete as of 10/1/2023)
- BA7010 NONAUTOMATIC 575 V 3PH (Obsolete as of 10/1/2023)

Consult factory for all other models

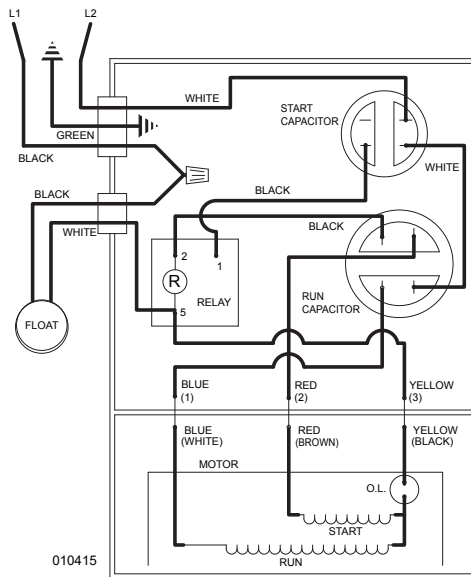
**TO ORDER REPLACEMENT PARTS:**

**PLEASE FURNISH THE FOLLOWING INFORMATION:**

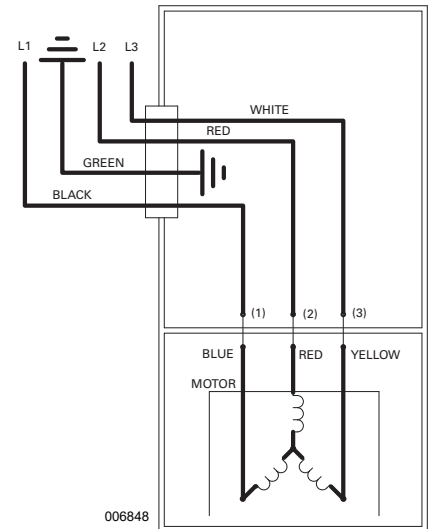
- Model Number
- Part Number of Pump
- Part Number and Description of part



WIRING DIAGRAM FOR MODELS  
"E7010" All Revisions  
"I77010" All Revisions  
"EI710" All Revisions  
03/11 thru current



WIRING DIAGRAM FOR MODELS  
"WD7010" All Revisions  
"WH7010" All Revisions  
"WDH7010" All Revisions  
03/11 thru current



WIRING DIAGRAM FOR MODELS  
"J7010", "F7010", "G7010",  
and "BA7010" All Revisions  
09/17 thru 10/23



# REPLACEMENT PARTS LIST FOR MODELS "J7010", "F7010", G7010, BA7010, EI7010 & WDH7010

See back page for illustration.

REF NO.	DESCRIPTION	QTY	NOTE	MODELS:				EI7010-C	WDH7010-C
				J7010-A	F7010-A	G7010-A	BA7010-A		
				09/17 thru 10/23	09/17 thru 10/23	09/17 thru 10/23	09/17 thru 10/23	4/24 thru Current	4/24 thru Current
1	• HANDLE	1		217069	217069	217069	217069	217069	217069
2	COVER AND CORD 3PH/NONAUTO "7010"	1		154717	154717	154717	154717	154717	154717
3	COVER-MACH & HANDLE ASM	1		015612	015612	015612	015612	015612	015612
4	SWITCH, FLT-TERM & SEAL	0		N/A	N/A	N/A	N/A	N/A	N/A
5	SEAL, CORD-FLOAT SWITCH	0		N/A	N/A	N/A	N/A	N/A	N/A
6	CORD TERM & SEAL	1		014177	014177	014177	014177	014177	014177
7	• SEAL, CORD-ASM & STR RLF	1		015634	015634	015634	015634	015634	015634
8	• GASKET, CASE/COVER	1		012649	012649	012649	012649	012649	012649
9	• WIRE PKG (6 WIRES)	0		N/A	N/A	N/A	N/A	N/A	N/A
10	CAPACITOR-START & CLAMP ASM	0		N/A	N/A	N/A	N/A	158723	158723
11	CAPACITOR-RUN & CLAMP ASM	0		N/A	N/A	N/A	N/A	N/A	N/A
12	RELAY, VOLTAGE SENSING	0		N/A	N/A	N/A	N/A	N/A	N/A
13	• PLUG, TEST	2		015023	015023	015023	015023	015023	015023
14	• SEAL, THRU WALL TERM	3		003402	003402	003402	003402	003402	003402
15	HOUSING, MTR & STR	1	4	154676	154677	154679	154670	154670	154670
16	BEARING, SLEEVE-BRONZE OILITE	1		N/A	N/A	N/A	N/A	N/A	N/A
	• BEARING, 6201			006703	006703	006703	006703	006703	006703
17	KEY	1		011711	011711	011711	011711	011711	011711
18	ROTOR & BRG ASM 3PH "7010"	1		154698	154698	154698	154698	154698	154698
19	• BEARING, 7303	1		009861	009861	009861	009861	009861	009861
20	• SEAL, MTR HSG	1		012648	012648	012648	012648	012648	012648
21	• OIL, DIELECTRIC	1		018233	018233	018233	018233	018233	018233
22	ADAPTER-MACH	1		001003	001003	001003	001003	001003	001003
23	• SEAL, SHAFT	1		014675	014675	014675	014675	014675	014675
24	WASHER, SUPPORT-SS	1		010863	010863	010863	010863	010863	010863
25	COLLAR, SHAFT	1		010409	010409	010409	010409	010409	010409
26	IMPELLER-MACH	1		N/A	N/A	N/A	N/A	N/A	N/A
	IMPELLER-PLASTIC "7010"			019358	019358	019358	019358	019358	019358
27	HOUSING, PUMP-MACH "7010"	1		154088	154088	154088	154088	154088	154088
28	CUTTER & DISC ASM "7010"	1		154292	154292	154292	154292	154292	154292
29	CUTTER SHIM SET	1		012632	012632	012632	012632	012632	012632
30	WASHER, RETAINING	1		008533	008533	008533	008533	008533	008533
31	GUARD, CUTTER-PLASTIC	0		N/A	N/A	N/A	N/A	N/A	N/A
32	CONNECTOR,WIRENUT 14-16GA	0		N/A	N/A	N/A	N/A	N/A	N/A
33	• SCREW, .25-20 X .75 SH CAP SS	6		007768	007768	007768	007768	007768	007768
34	• SCREW, .25-20 X .75 HH SS (NYLOCK)	1		009545	009545	009545	009545	009545	009545
35	• SCREW, #10-24 X .875-FLT SH CAP SS	0		N/A	N/A	N/A	N/A	N/A	N/A
36	• SCREW, .313-18 X 1" HH CAP SS	4		002608	002608	002608	002608	002608	002608
37	• SCREW, .25-20 X 1" HHM SS	4		007790	007790	007790	007790	007790	007790
38	• SCREW, .25-20 X .75 HHM SS/INDENTED/UNSLOT	4		001916	001916	001916	001916	001916	001916
39	• SCREW, #6-32X 25RHM SL TC STLGR	1		001877	001877	001877	001877	001877	001877
40	• SPRING, BEARING PRELOAD	1		017192	017192	017192	017192	017192	017192
41	• WASHER, FLAT-SS .25 STANDARD	0		N/A	N/A	N/A	N/A	N/A	N/A
42	• SCREW, #6-32 X .375 RHM SL TC ZINC PLATED	0		N/A	N/A	N/A	N/A	N/A	N/A
43	DISC, CUTTER	1		153203	153203	153203	153203	153203	153203
44	CUTTER & SHIM ASM/2 BLADE/.75" SCREW	1		154295	154295	154295	154295	154295	154295
45	INSULATOR FLAG TERMINAL	0		N/A	N/A	N/A	N/A	N/A	N/A
	REBUILD KIT	1		151477	151477	151477	151477	151477	151477

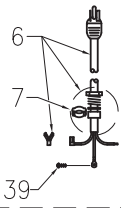
- Items included in Rebuild Kit.
- Not Shown in Illustration.

## NOTES:

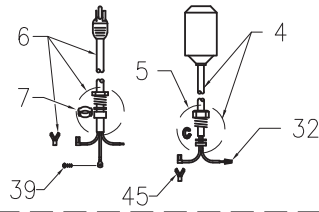
- 1) See FM0160 price sheet for listing of parts prices.
- 2) "N/A" indicates, not applicable.
- 3) If an "X" follows Model No., or Date Mfg. on brass ID tag, consult factory for ordering of this part.
- 4) Housing, MTR & Stator (Item 15) is preassembled at factory and must be replaced as a unit. Stator is permanently attached to the Motor Housing. Plug (Item 13) and Seal, thru Wall Term. (Item 14) and Bearing (Item 16) are replaceable.

# REPLACEMENT PARTS ILLUSTRATION FOR 7010 - ALL MODELS

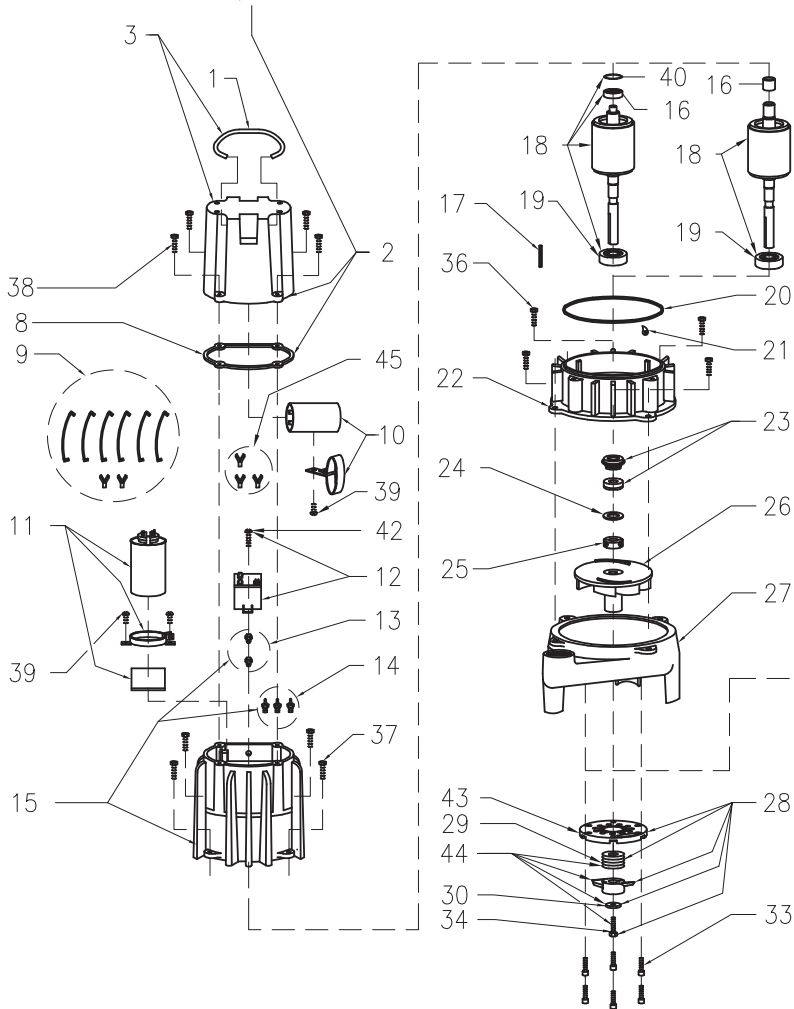
"E & EI" MODELS  
WITH PLUG



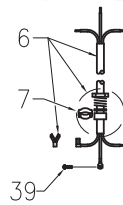
"WD & WDH" MODELS WITH PLUG



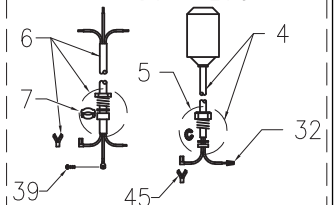
APPLICABLE CORD, SEAL & GROUND SCREW



"I" MODELS  
WITHOUT PLUG



"WH" MODELS  
WITHOUT PLUG



"J, F, G  
& BA" MODELS

