



MAIL TO: P.O. BOX 16347 • Louisville, KY 40256-0347
 SHIP TO: 3649 Cane Run Road • Louisville, KY 40211-1961
 Tel: (502) 778-2731 • 1 (800) 928-PUMP

Visit our website:
 zoellerengineered.com

Product information presented here reflects conditions at time of publication. Consult factory regarding discrepancies or inconsistencies.



X70 HAZARDOUS LOCATION SERIES

CLASS I, DIVISION 1, GROUPS C & D

CLASS I, ZONE 1, GROUPS IIA & IIB

2 HP GRINDER PUMPS TECHNICAL DATA



MODELS:	<input type="checkbox"/> X7011	<input type="checkbox"/> X7013
CONFIGURATION:	REVERSING	HIGH FLOW
PUMP NAME PLATE HORSEPOWER:	2.0	2.0
SERVICE FACTOR:	1.2	1.2
NEC LOCKED ROTOR CODE:	K	K
MAXIMUM KW INPUT:	3.9	3.9
STANDARD IMPELLER DIAMETER:	5.515" (140.0 mm)	6.188" (157.2 mm)
DISCHARGE SIZE:	<input type="checkbox"/> 1.25" VERTICAL OR <input type="checkbox"/> 1.25" HORIZONTAL	

IMPELLER TYPE:	DUCTILE IRON VORTEX	TANDEM SEALS:	STANDARD
CUTTER & PLATE:	440C SS HARDENED TO ROCKWELL C55-60	MOTOR DESIGN LETTER:	NEMA B (3 Ph) NEMA L (1Ph)
PUMP NET WEIGHT: lbs.	139 lbs. (63.0 kg)	POWER CORD LENGTH: ft(m) (20' STANDARD) (6.1 m)	<input type="checkbox"/> 25' (7.6 m) <input type="checkbox"/> 50'*** (15.2 m)
O-RINGS:	VITON	POWER CORD:	14 GAUGE SOW
MOTOR SHAFT:	416 SS	STATOR & LEAD WIRES INSULATION:	CLASS F
RPM:	3450	MAXIMUM STATOR TEMPERATURE:	311 °F (155 °C)
MOTOR TYPE:	SUBMERSIBLE EXPLOSION PROOF*		

SHAFT SEAL CONSTRUCTION:	STANDARD	CARBON/CERAMIC UPPER SILICON CARBIDE/CARBON LOWER
	OPTIONAL UPPER	<input type="checkbox"/> SILICON CARBIDE/SILICON CARBIDE
	OPTIONAL LOWER	<input type="checkbox"/> SILICON CARBIDE/SILICON CARBIDE
STANDARD SENSING DEVICES**	MOTOR THERMAL SHUTOFF	THERMAL SENSORS
	MOISTURE DETECTION	MOISTURE SENSING PROBES
IMPELLER TRIM :	<input type="checkbox"/> OPTIONAL	DESIGN POINT: ___ GPM @ ___' TDH, IMPELLER DIA. ___"
MAXIMUM WATER TEMPERATURE:		104 °F (40 °C)

* Level sensors must be intrinsically safe to maintain rating.

***Not available for 200 volt 1 phase (I) models.

** Requires a circuit in control panel to function.

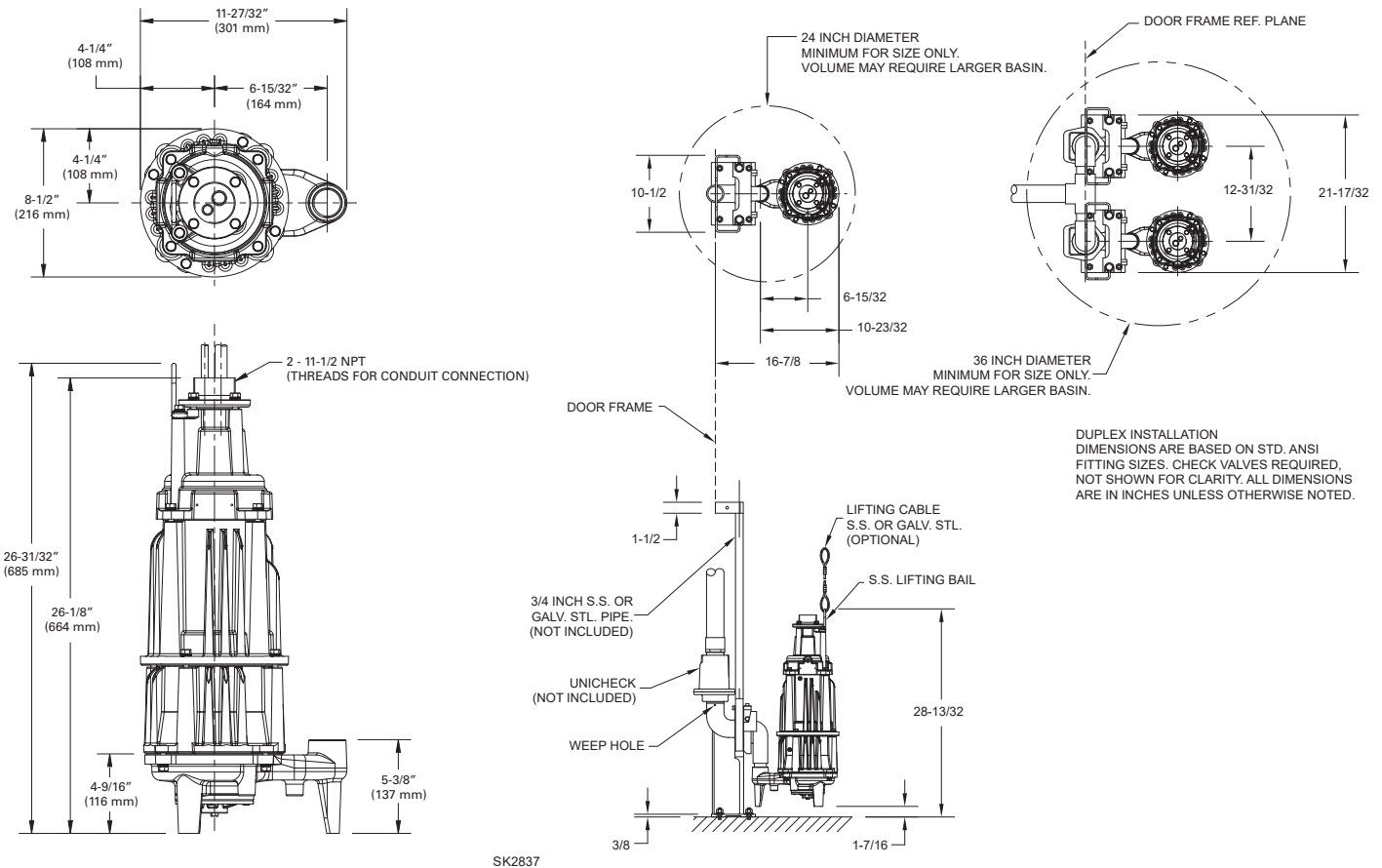
MODEL	HP	SERVICE FACTOR	<input type="checkbox"/> 200V / 1 PH		<input type="checkbox"/> 230V / 1 PH		<input type="checkbox"/> 200V / 3 PH		<input type="checkbox"/> 230V / 3 PH		<input type="checkbox"/> 460V / 3 PH	
			FLA	LRA	FLA	LRA	FLA	LRA	FLA	LRA	FLA	LRA
X7011	2.0	1.2	20.0	60.7	17.2	57.3	12.3	47.0	10.8	41.9	5.5	20.6
X7013	2.0	1.2	20.0	60.7	17.2	57.3	12.3	47.0	10.8	41.9	5.5	20.6

FEATURES

- Durable epoxy coated cast iron construction
- Bearings - upper and lower ball bearing
- Stainless steel motor shaft
- Motor - 2 HP, 60 Hz, 3450 RPM, 1 & 3 Ph, oil-filled, hermetically sealed, thermal sensor protected
- Dual mechanical shaft seals - upper carbon/ceramic, Lower silicon carbide/carbon
- Viton O-ring seals and cover gasket
- Impeller - non-clogging ductile iron vortex impeller
- X7011 Reversing model
- X7013 Single direction model
- 20 for UL Listed 3-wire SOOW cord. Longer cords available in 25' & 50'
- Hardened 440C stainless steel cutter and disc, Rockwell C55-60
- 304 SS hardware
- 1.25" NPT discharge
- 100% computerized tested

Standard all models - 20 ft. cord - 2 HP				
X7011 Models	Control Section			Listed
	Volts	Ph	Amps	cCSAus
EX7011	230	1	17.2	Yes
IX7011	200	1	20.0	Yes
FX7011	230	3	10.8	Yes
JX7011	200	3	12.3	Yes
GX7011	460	3	5.5	Yes

Standard all models - 20 ft. cord - 2 HP				
X7013 Models	Control Section			Listed
	Volts	Ph	Amps	cCSAus
EX7013	230	1	17.2	Yes
IX7013	200	1	20.0	Yes
FX7013	230	3	10.8	Yes
JX7013	200	3	12.3	Yes
GX7013	460	3	5.5	Yes



SK2842

RESERVE POWERED DESIGN

For unusual conditions a reserve safety factor is engineered into the design of every Zoeller® pump.

Zoeller® Engineered Products • 3649 Cane Run Road • Louisville, Kentucky 40211-1961 • (502) 778-2731

SWPA Data Categories Presented -- Data on this sheet supply design information as the minimum recommended by the Submersible Wastewater Pump Association and is defined in accordance with SWPA's Standardized Definitions for Pump and Motor Characteristics. The accuracy of the data is the responsibility of Zoeller® Engineered Products.



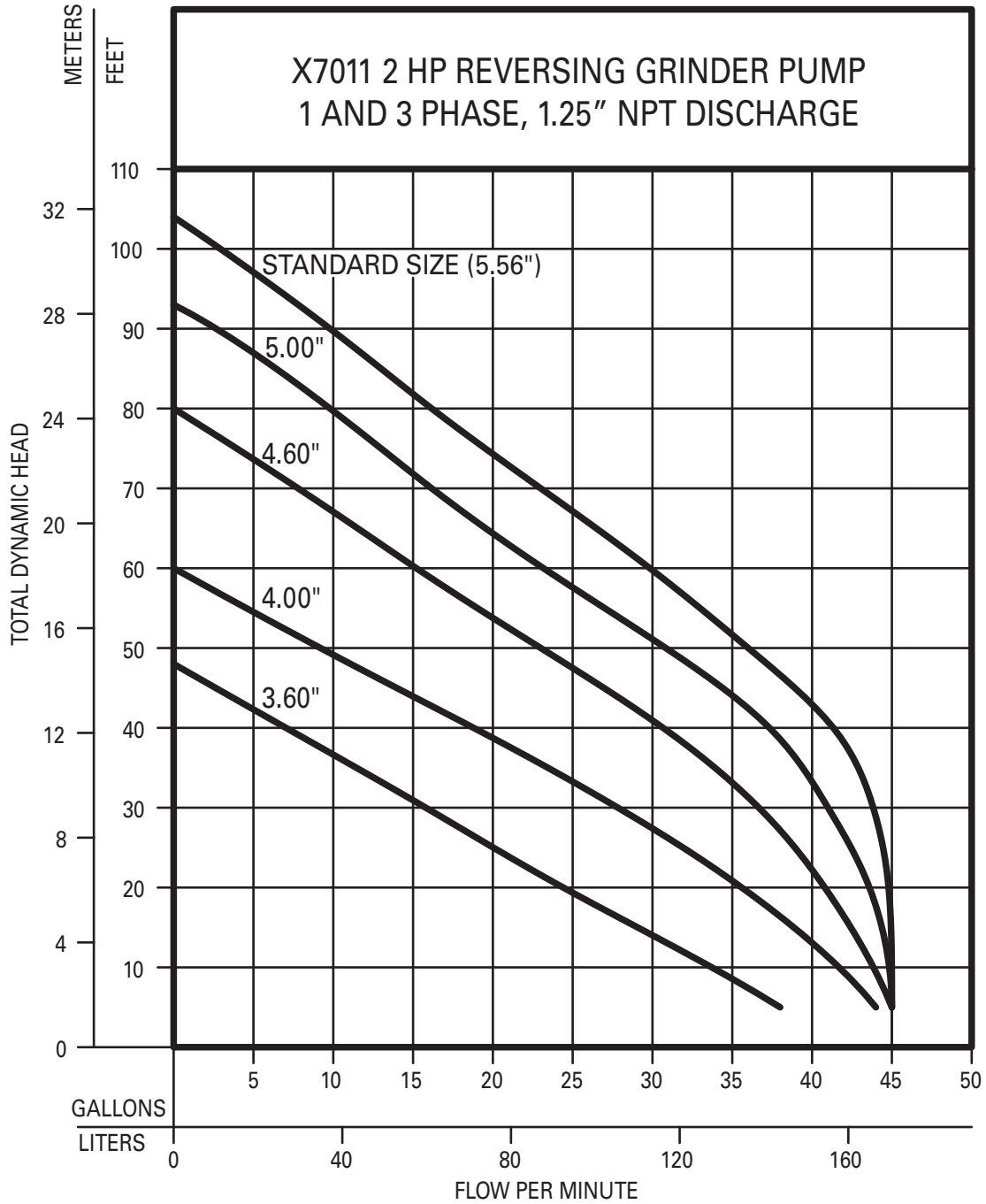
Patent No.
6,364,620

X7011 REVERSING

CLASS I, DIVISION 1, GROUPS C & D
CLASS I, ZONE 1, GROUPS IIA & IIB
PERFORMANCE DATA
2HD Grinder Pump



CSA US
Certified to CSA Standard
C22.2 No. 145
Tested to FM Standard
3600 & 3615



ZEPB0572



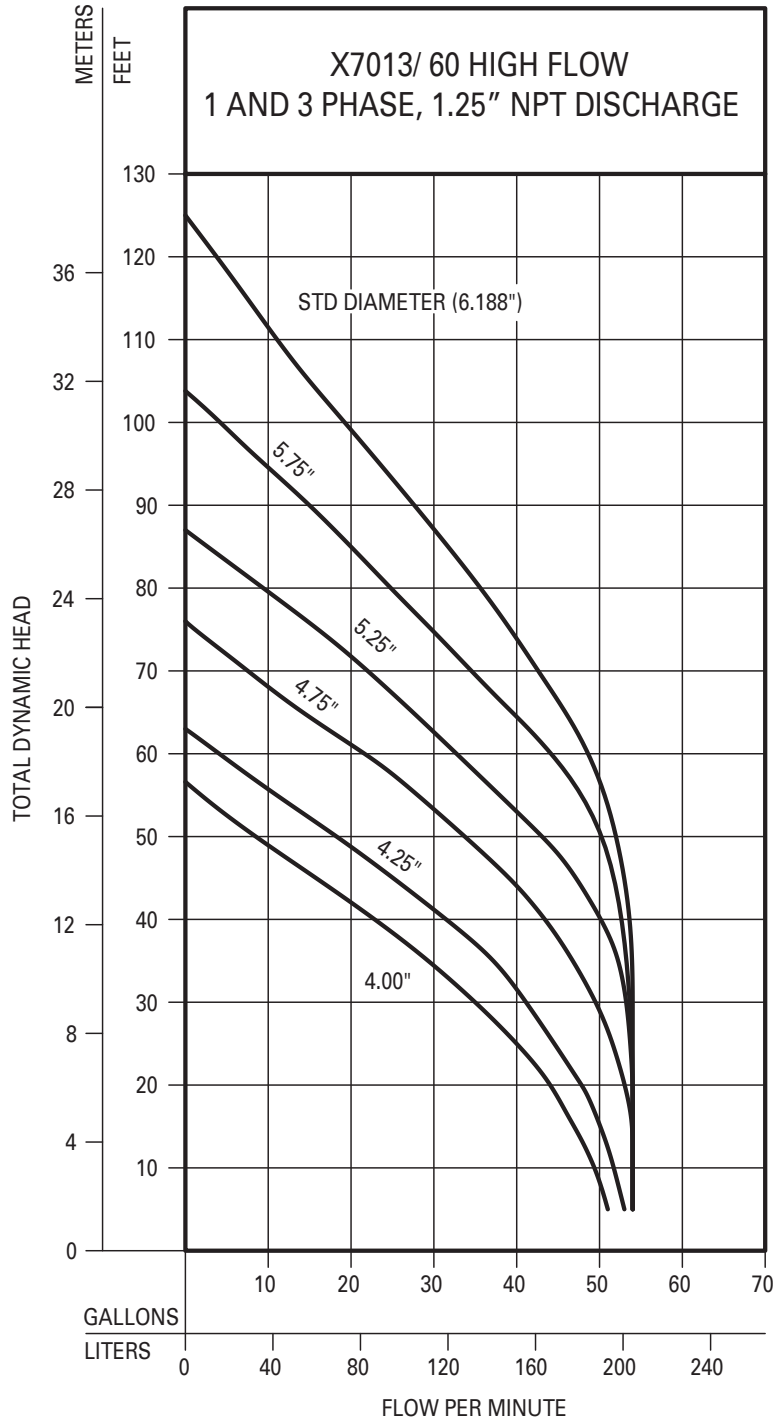
X7013 SINGLE DIRECTION

CLASS I, DIVISION 1, GROUPS C & D
CLASS I, ZONE 1, GROUPS IIA & IIB
PERFORMANCE DATA
2HP Grinder Pump



Certified to CSA Standard
C22.2 No. 145

Tested to FM Standard
3600 & 3615



155279