

Trusted. Tested. Tough.®



SECTION: Z1.20.200

ZM1374

1223

Supersedes

0823

MAIL TO: P.O. BOX 16347 • Louisville, KY 40256-0347  
 SHIP TO: 3649 Cane Run Road • Louisville, KY 40211-1961  
 Tel: (502) 778-2731 • 1 (800) 928-PUMP

Visit our website:  
 zoellerengineered.com

Product information presented here reflects conditions at time of publication. Consult factory regarding discrepancies or inconsistencies.



## 6280 SERIES COMMERCIAL SEWAGE PUMPS TECHNICAL DATA



	<input type="checkbox"/> 6284
<b>PUMP NAME PLATE HORSEPOWER:</b>	1 HP
<b>SOLID SIZE: in (mm)</b>	2" (51mm)
<b>MINIMUM HEAD: ft. (m)</b>	5.0' (1.5m)
<b>MAXIMUM HEAD: ft. (m)</b>	35' (10.7m)
<b>MAX.FLOW GPM (L/min) @ MIN. HEAD ft. (m)</b>	179 GPM @ 5' (678 L/min @ 1.5m)
<b>DISCHARGE SIZE: VERTICAL FEMALE</b>	<input type="checkbox"/> 2" NPT <input type="checkbox"/> 3" NPT

<b>PUMP NET WEIGHT: lbs (kg)</b>	89 lbs (40 kg)	<b>MOTOR TYPE:</b>	SUBMERSIBLE
<b>SERVICE FACTOR:</b>	1.0	<b>TYPE SOW POWER CORD LENGTH: ft (m)</b>	25' (7.62m) <input type="checkbox"/> _____'
<b>MOTOR DESIGN LETTER:</b>	NEMA B	<b>MOTOR SHAFT:</b>	416 S.S.
<b>IMPELLER TYPE:</b>	CAST IRON VORTEX	<b>STATOR INSULATION:</b>	CLASS B
<b>O-RINGS AND COVER GASKET:</b>	VITON	<b>LEAD WIRES INSULATION:</b>	CLASS B
<b>RPM:</b>	1750	<b>MAXIMUM STATOR TEMPERATURE:</b>	266 °F (130 °C)

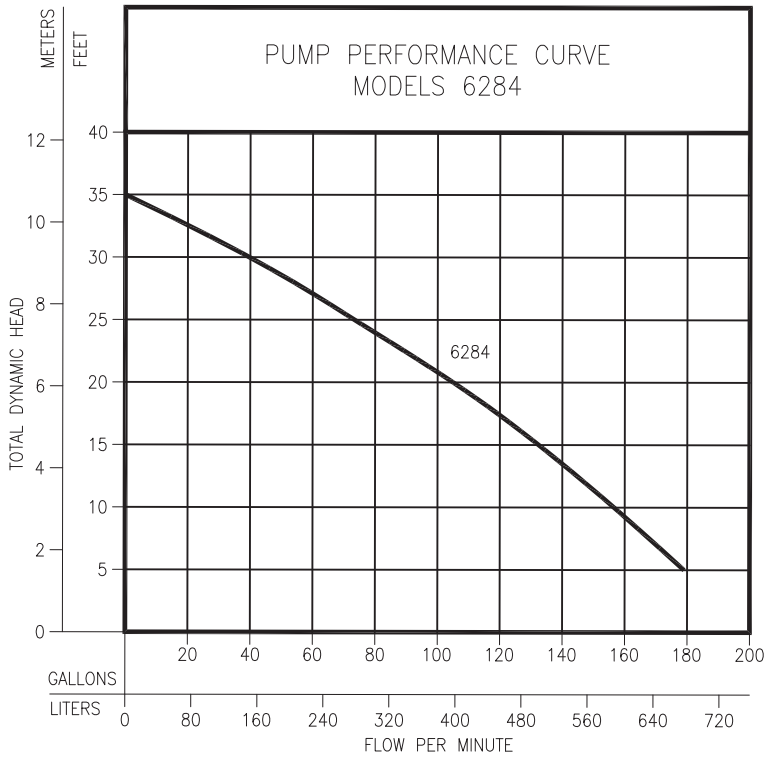
<b>SHAFT SEAL CONSTRUCTION:</b>	<b>STANDARD</b>	UPPER-CARBON/CERAMIC, LOWER-SILICON CARBIDE/ CARBON
	<b>OPTIONAL</b> <input type="checkbox"/> UPPER <input type="checkbox"/> LOWER	<input type="checkbox"/> SILICON CARBIDE / CARBON <input type="checkbox"/> SILICON CARBIDE / SILICON CARBIDE <input type="checkbox"/> SILICON CARBIDE / SILICON CARBIDE
<b>MOTOR THERMAL SHUTOFF:</b>	<b>STANDARD (Single Phase Only)</b>	THERMAL OVERLOAD SWITCH WITH AUTOMATIC RESET
<b>MOISTURE DETECTION:</b>	<input type="checkbox"/> <b>OPTIONAL *</b>	MOISTURE SENSING PROBES
<b>MINIMUM RECOMMENDED FLUID LEVEL: in (m)</b>		10" (0.25m)
<b>MAXIMUM WATER TEMPERATURE:</b>		130 °F (54 °C)

\*Requires a circuit in control panel to function.

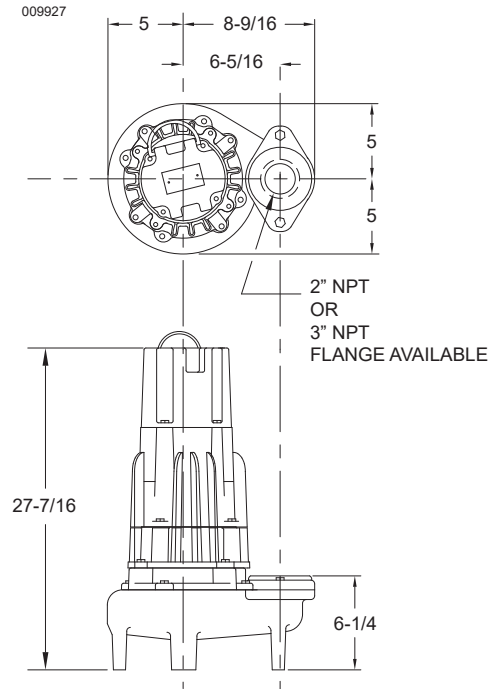
### ELECTRICAL DATA

MODEL	HP	<input type="checkbox"/> 200V/1Ph		<input type="checkbox"/> 230V/1Ph		<input type="checkbox"/> 200V/3Ph		<input type="checkbox"/> 230V/3Ph		<input type="checkbox"/> 460V/3Ph	
		FLA	LRA	FLA	LRA	FLA	LRA	FLA	LRA	FLA	LRA
<input type="checkbox"/> 6284	1	9.3	22.0	8.9	24.0	5.5	21.4	5.0	15.5	2.6	9.0

Refer to reverse side for Head/Capacity Performance Curves



MODELS		6284	
Feet	Meters	Gal.	Liters
5	1.5	179	678
10	3.0	157	594
15	4.6	133	503
20	6.1	106	401
25	7.6	73	276
30	9.1	42	159
Shut-off Head		35 ft. (10.7m)	



SK1414

Standard all models - 25 ft. cord - 1 HP

6284 MODELS	Control Selection			Listings
	Volts	PH	Amps	cCSAus
* E6284	230	1	8.9	Yes
I6284	200	1	9.3	Yes
J6284	200	3	5.5	Yes
F6284	230	3	5.0	Yes
G6284	460	3	2.6	Yes

\* Molded Plug  
Double Seal pumps are available with optional moisture sensors. Seal Fail indicator light available in NEMA 4X control panels.

## FEATURES

- Durable epoxy coated cast iron construction.
- Motor - 1 hp, 60 hz, 1750 rpm, 1 ph or 3 ph, oil filled, hermetically sealed, automatic reset, thermal overload protected (1 ph).
- Bearings - upper and lower ball bearings.
- Stainless steel motor shaft.
- Dual mechanical shaft seals - upper carbon/ceramic, lower silicon carbide/carbon. Optional seal materials available
- Viton o-ring seals and cover gasket.
- Impeller - non-clogging cast iron vortex design passes 2" spherical solids.
- 25 Foot UL listed 3 wire neoprene cord and plug. Longer cords available in lengths of 35-50 feet.
- No screens to clog.
- Stainless steel screws, bolts and handle.
- 2" NPT discharge with 3" flange available.
- Corrosion resistant powder coated epoxy finish.
- Moisture sensors available for early warning of seal failure. (Optional)
- 100% Computerized tested.

### CAUTION

All installation of controls, protection devices and wiring should be done by a qualified licensed electrician. All electrical and safety codes should be followed including the most recent National Electric Code (NEC) and the Occupational Safety and Health Act (OSHA).