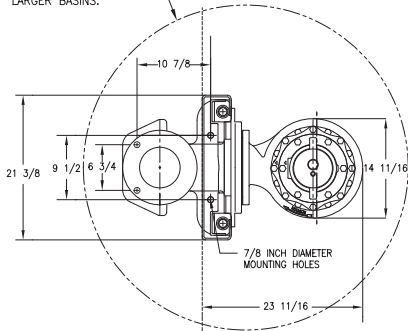
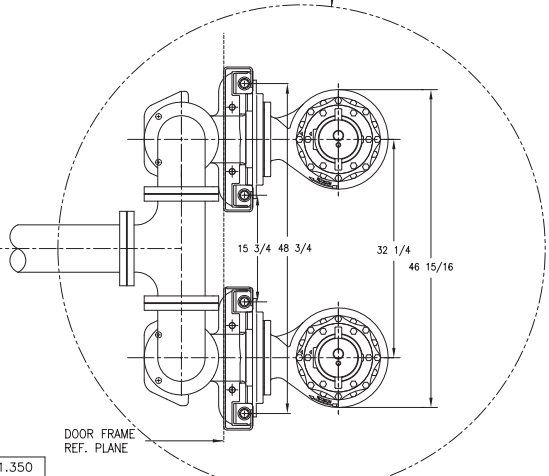


48 INCH DIAMETER
MINIMUM FOR SIZE ONLY.
VOLUME MAY REQUIRE
LARGER BASINS.



72 INCH DIAMETER
MINIMUM FOR SIZE ONLY.
VOLUME MAY REQUIRE
LARGER BASINS.

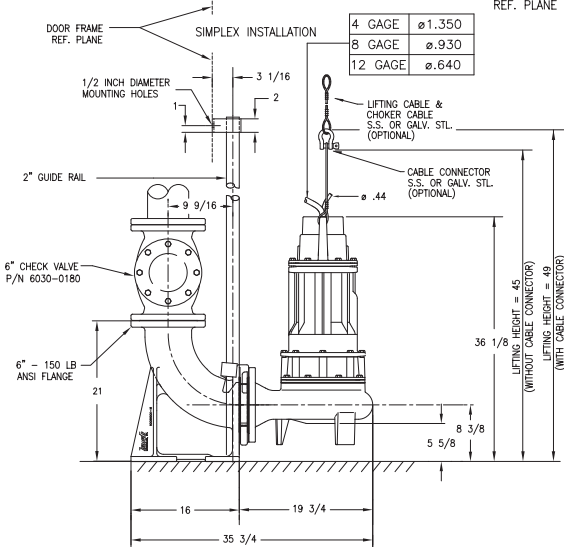


DOOR FRAME
REF. PLANE

4 GAGE	ø1.350
8 GAGE	ø.930
12 GAGE	ø.640

DUPLEX INSTALLATION

DIMENSIONS BASED ON STD. ANSI FITTING SIZES
CHECK VALVES REQUIRED, NOT SHOWN FOR CLARITY



LIFTING HEIGHT = 45
(WITHOUT CABLE CONNECTOR)
LIFTING HEIGHT = 36 1/8
(WITH CABLE CONNECTOR)