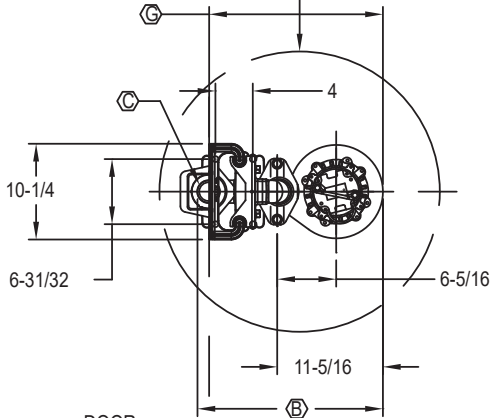
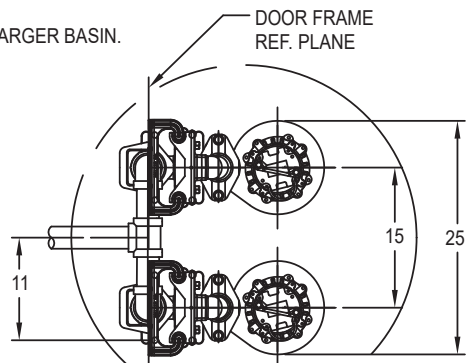


| DISCHARGE | A | B | C | D | E | F | G |
|-----------|----|----------|---|---------|---------|--------|----------|
| 2 INCH | 24 | 19-27/32 | 2 | 22-5/16 | 25-7/16 | 11/16 | 18-19/32 |
| 3 INCH | 30 | 22-9/16 | 3 | 25-3/16 | 28-5/16 | 3-5/16 | 19-11/16 |

Ⓐ MINIMUM FOR SIZE ONLY.
VOLUME MAY REQUIRE LARGER BASIN.



DOOR FRAME REF. PLANE
SIMPLEX INSTALLATION



DUPLEX INSTALLATION

36 INCH DIAMETER
MINIMUM FOR SIZE ONLY.
VOLUME MAY REQUIRE
LARGER BASIN.

DIMENSIONS ARE BASED ON STD. ANSI
FITTING SIZES. CHECK VALVES REQUIRED,
NOT SHOWN FOR CLARITY. ALL DIMENSIONS
ARE IN INCHES UNLESS OTHERWISE NOTED.

