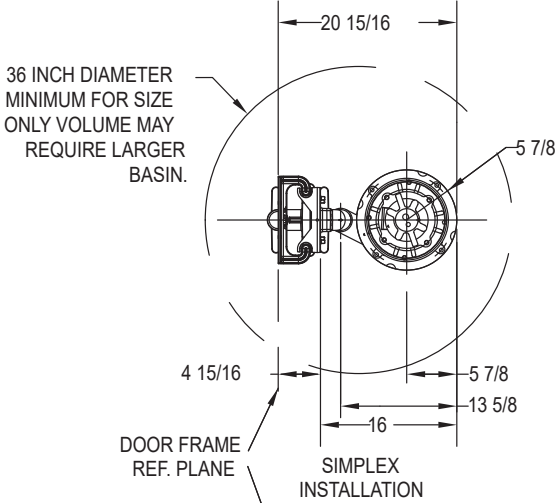
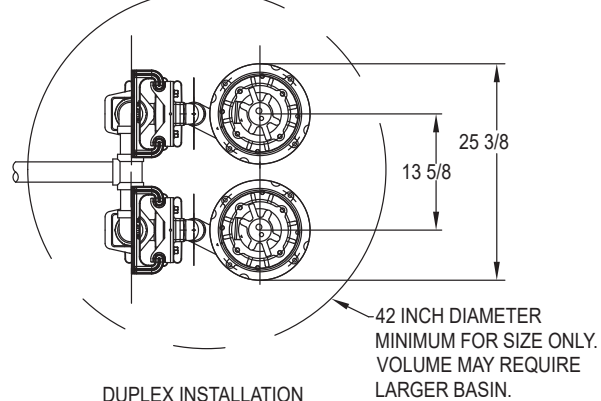


36 INCH DIAMETER
MINIMUM FOR SIZE
ONLY VOLUME MAY
REQUIRE LARGER
BASIN.



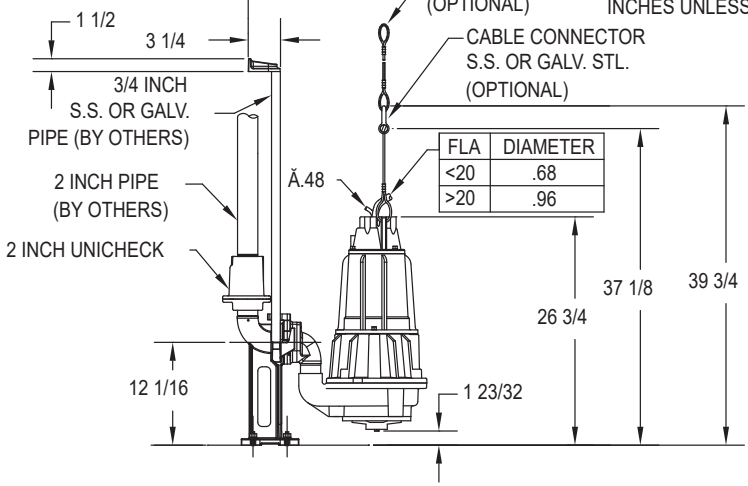
SIMPLEX
INSTALLATION

DOOR FRAME
REF. PLANE



42 INCH DIAMETER
MINIMUM FOR SIZE ONLY.
VOLUME MAY REQUIRE
LARGER BASIN.

DUPLEX INSTALLATION
DIMENSIONS BASED ON STD. ANSI
FITTING SIZES CHECK VALVES
REQUIRED, NOT SHOWN FOR
CLARITY ALL DIMENSIONS IN
INCHES UNLESS OTHERWISE NOTED



LIFTING CABLE
S.S. OR GALV. STL.
(OPTIONAL)

CABLE CONNECTOR
S.S. OR GALV. STL.
(OPTIONAL)

FLA	DIAMETER
<20	.68
>20	.96

Ä.48