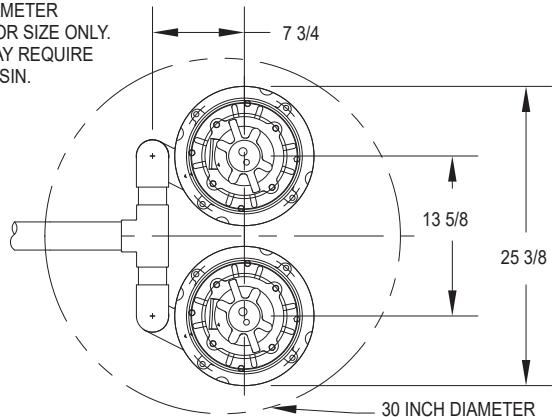


SIMPLEX INSTALLATION

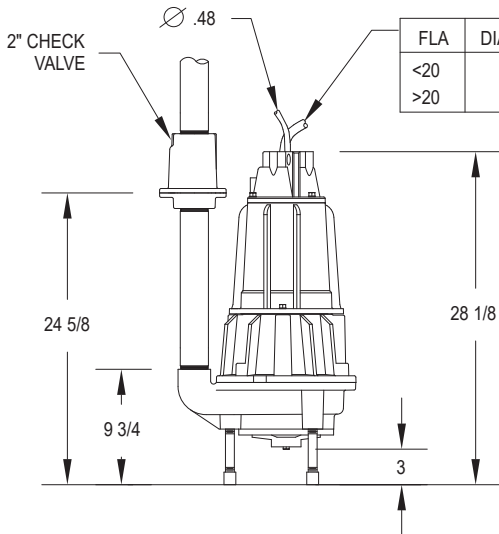
24 INCH DIAMETER  
MINIMUM FOR SIZE ONLY.  
VOLUME MAY REQUIRE  
LARGER BASIN.



DUPLEX INSTALLATION

30 INCH DIAMETER  
MINIMUM FOR SIZE ONLY.  
VOLUME MAY REQUIRE  
LARGER BASIN.

DIMENSIONS BASED ON STD. ANSI FITTING SIZES  
CHECK VALVES REQUIRED, NOT SHOWN FOR CLARITY  
ALL DIMENSIONS IN INCHES UNLESS OTHERWISE NOTED



FLA	DIAMETER
<20	.68
>20	.96

2" CHECK VALVE

∅ .48

24 5/8

9 3/4

28 1/8

3