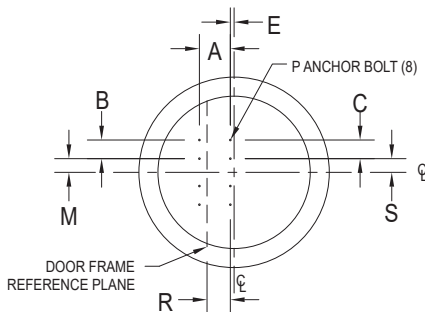
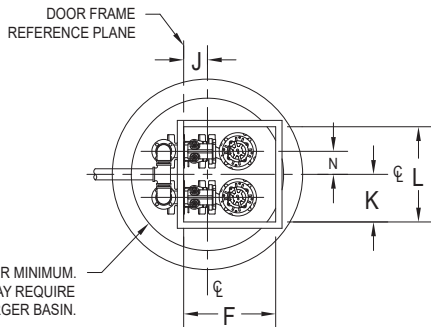


42" DIAMETER MINIMUM.
VOLUME MAY REQUIRE
LARGER BASIN.

SIMPLEX DIMENSIONAL CHART (ALL DIMENSIONS IN INCHES)

| NOM. SIZE | A | B | C | D | E | F | G | H | J | P | R |
|---------------|-------|-------|-------|---------|--------|----|----|----|-------|-----|---------|
| 2" VERTICAL | 4 | 7 | 7 | 3-1/2 | 3-7/16 | 26 | 24 | 12 | 8 | 1/2 | 4-9/16 |
| 3" HORIZONTAL | 9-3/4 | 5-7/8 | 5-7/8 | 2-15/16 | 3/16 | 26 | 24 | 12 | 7-1/2 | 1/2 | 7-11/32 |



48" DIAMETER MINIMUM.
VOLUME MAY REQUIRE
LARGER BASIN.

DUPLEX DIMENSIONAL CHART (ALL DIMENSIONS IN INCHES)

| NOM. SIZE | A | B | C | E | F | J | K | L | M | N | P | R | S |
|---------------|-------|-------|-------|---------|----|--------|----|----|-------|-------|-----|---------|--------|
| 2" VERTICAL | 4 | 7 | 7 | 6-15/16 | 29 | 11-1/2 | 15 | 30 | 3-3/4 | 7-1/4 | 1/2 | 4-9/16 | 3-3/4 |
| 3" HORIZONTAL | 9-3/4 | 5-7/8 | 5-7/8 | 3/16 | 29 | 7-1/2 | 15 | 30 | 4-5/8 | 7-1/4 | 1/2 | 7-11/32 | 4-5/16 |