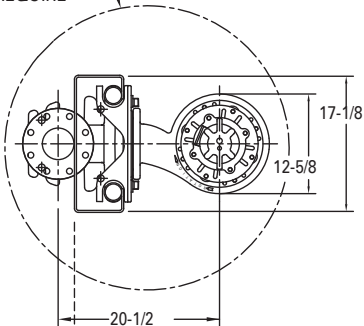
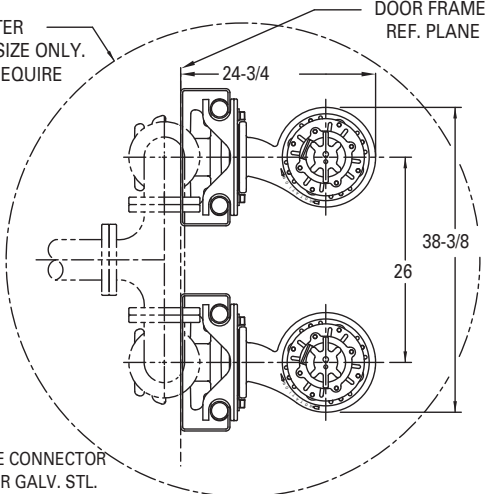


36 INCH DIAMETER
MINIMUM FOR SIZE ONLY.
VOLUME MAY REQUIRE
LARGER BASIN.



60 INCH DIAMETER
MINIMUM FOR SIZE ONLY.
VOLUME MAY REQUIRE
LARGER BASIN.



DOOR FRAME
REF. PLANE

SIMPLEX INSTALLATION

CABLE CONNECTOR
S.S. OR GALV. STL.
(OPTIONAL)

DUPLEX INSTALLATION

DIMENSIONS BASED ON STD. ANSI FITTING SIZES
CHECK VALVES REQUIRED, NOT SHOWN FOR CLARITY
ALL DIMENSIONS IN INCHES UNLESS OTHERWISE NOTED

DOOR FRAME
REF. PLANE

LIFTING CABLE
S.S. OR GALV. STL.
(OPTIONAL)

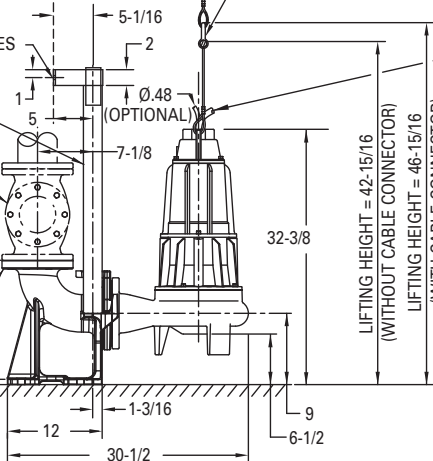
Ø.1/2 - 2 HOLES

2" GUIDE RAIL
(BY OTHERS)

4 INCH
CHECK VALVE

4 INCH-125 LB
ANSI FLANGE

3/4



LIFTING HEIGHT = 42-15/16
(WITHOUT CABLE CONNECTOR)
LIFTING HEIGHT = 46-15/16
(WITH CABLE CONNECTOR)

FLA	DIAMETER
<20	.68
>20	.96

REFERENCE VIEW
OF LIFTING LUGS

