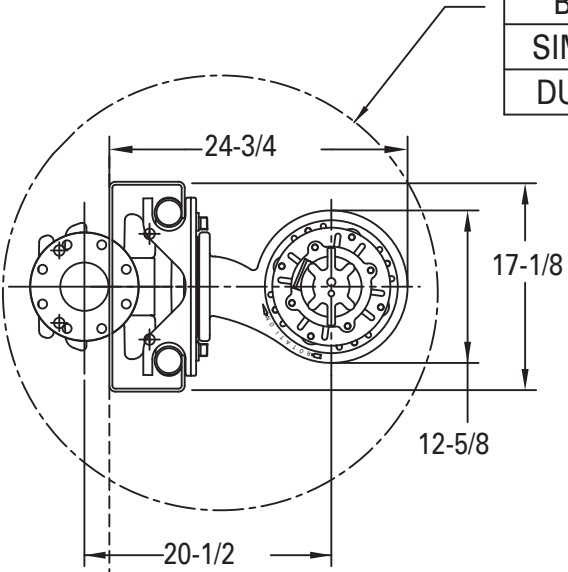


BASIN	DIAMETER
SIMPLEX	36 INCH MINIMUM
DUPLEX	60 INCH MINIMUM

FOR SIZE ONLY.  
VOLUME MAY REQUIRE  
LARGER BASIN.



DOOR FRAME  
REF. PLANE

SIMPLEX INSTALLATION

LIFTING CABLE  
S.S. OR GALV. STL.  
(OPTIONAL)

CABLE CONNECTOR  
S.S. OR GALV. STL.  
(OPTIONAL)

5-1/16  
Ø.1/2 - 2 HOLES

2" GUIDE RAIL  
(BY OTHERS)

4 INCH CHECK VALVE

4 INCH-125 LB  
ANSI FLANGE

FLA	DIAMETER
<20	.68
>20	.96

