

Product information presented here reflects conditions at time of publication. Consult factory regarding discrepancies or inconsistencies.



MAIL TO: P.O. BOX 16347 • Louisville, KY 40256-0347
 SHIP TO: 3649 Cane Run Road • Louisville, KY 40211-1961
 Tel: (502) 778-2731 • 1 (800) 928-PUMP

Visit our website:
 zoellerengineered.com

REPLACEMENT PARTS LIST FOR 7011 GRINDER MODELS:

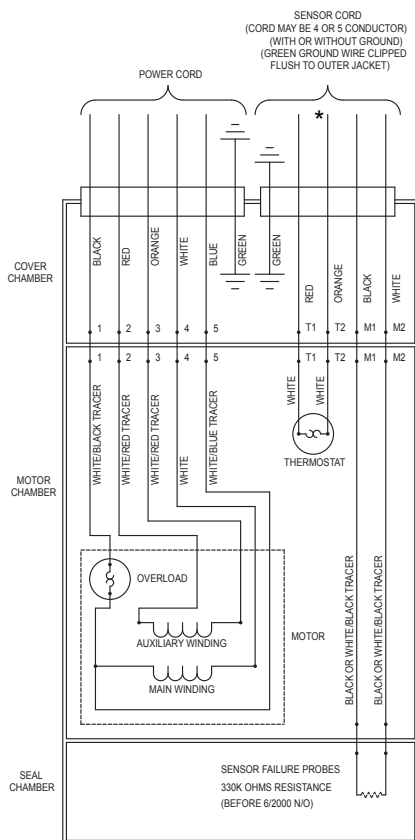
- E7011 230V 1 PHASE
- I7011 200V 1 PHASE
- F7011 230V 3 PHASE
- G7011 460V 3 PHASE
- J7011 200V 3 PHASE
- BA7011 575V 3 PHASE

TO ORDER REPLACEMENT PARTS:

PLEASE FURNISH THE
 FOLLOWING INFORMATION:

- Model Number.
- Part Number of Pump.
- Part Number and Description of part.

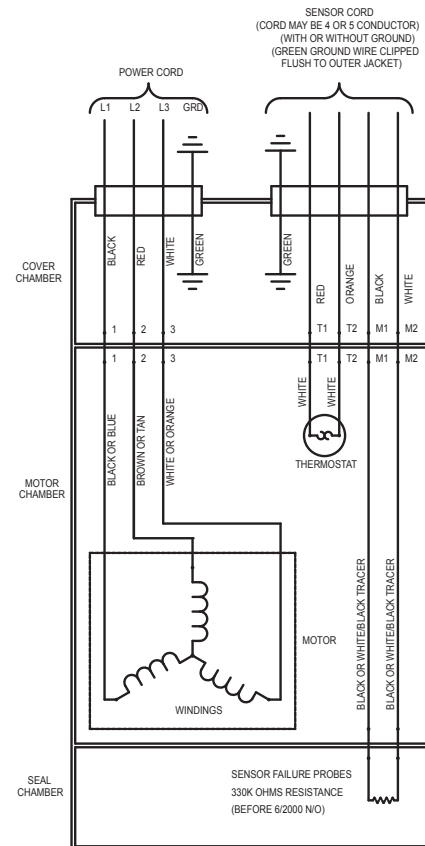
SOOW CORDAGE



008751

*Thermostat Optional

WIRING DIAGRAM FOR MODELS
 "E7011" All Revisions
 "I7011" All Revisions
 "J7011" All Revisions
 03/11 thru Current



008752

WIRING DIAGRAM FOR MODELS
 "F7011" All Revisions
 "G7011" All Revisions
 "J7011" All Revisions
 "BA7011" All Revisions
 03/11 thru Current

REPLACEMENT PARTS LIST FOR MODELS "E7011"

See back page for illustration.

REF NO.	DESCRIPTION	QTY	MODELS:	
			NOTES	E7011-A
1	COVER & CORD 200/230V/1PH GRINDER	1	3	151478
2	• SEAL,SQ-RING COVER	1		014592
3	• SEAL,THRU WALL TERM	9		003402
4	HOUSING,MTR-& STR 230V/1PH	1	4	010266
5	• OIL,DIELECTRIC-(57 OZ CAN)	1		009051
6	ROTOR ASM 200/230V/1PH	1		010269
7	RING,SNAP-5100-100 TRUARC	1		007769
8	KEY	1		011711
9	CORDAGE TERM&SEAL/20'	1		009053
10	• SEAL,CORD-ASM	1		011064
11	CORDAGE TERM&SEAL/20'	1	3	015829
12	• SEAL,CORD-ASM/POWER CORD	1		015634
13	CASE & SEAL	1		015830
14	• PLUG,TEST	3		015023
15	• BEARING,RADIAL .4724 ID	1		006703
16	• BEARING,7306-P	1		007765
17	• SEAL,SQ-RING ADAPTER	1		014257
18	• SENSOR,MOISTURE ASM	2		007770
19	ADAPTER ASM GRINDER	1	5	009055
20	• OIL,DIELECTRIC (11 OZ CAN)	1		009056
21	• SEAL ASM,SHAFT UPPER	1		007763
21	• SEAL ASM,SHAFT LOWER	1		151365
22	• SEAL,SQ-RING SEAL PLATE	1		014591
23	PLATE,SEAL-MACH.	1		007757
24	IMPELLER-MACH. DUCTILE IRON	1		153254
25	HOUSING,PUMP-MACH.	1		008534
26	CUTTER & DISC ASM GRINDER	1		018603
27	SHIM SET FOR GRINDERS	1		012632
28	GUARD,CUTTER-PLASTIC	1		008528
29	• SCREW,#6-32X.25RHM SL TC STLGR	1		001877
30	• SCREW,.313-18 X1.25 HH CAP-SS	12		001908
31	• SCREW,#10-24X.625"SH CAP SS.	4		007774
32	• SCREW,.25-20 X 1"LG HH SS (NYLOCK PRE-COAT 80)	1		018602
33	• SCREW,.25-20X.75"SH CAP SS.	3		007768
34	• SCREW,#10-24X.875-FLT SH CAP SS.	3		007761
35	• WASHER,RETAINING	1		008533
36	• WASHER,LOCK SS .312 ID	14		006402
37	• SCREW,.313-18 X 1" HH CAP-SS	2		002608
38	HANDLE-SS/SQ GUIDE RAIL/(GRINDER)	1		016801
39	RESISTOR	1		013740
40	• WASHER,FLAT SS	2		008773
41	DISC, CUTTER	1		007735
42	CUTTER/SHIM ASM/5 BLADE/1" SCREW	1		019698
□	REBUILD KIT	1		151481

• Items included in Rebuild Kit.

□ Not Shown in Illustration.

NOTES:

- 1) See FM0160 Price Sheet for listing of parts prices.
- 2) "NA" indicates, not applicable.
- 3) If an "X" follows Model No., or Date Mfg. on brass ID tag, consult factory for ordering of this part.
- 4) Housing, MTR & Stator (Item 4) is preassembled at factory and must be replaced as a unit. Stator is permanently attached to the Motor Housing. Plug (Item 14) and Seal, thru Wall Term. (Item 3) are replaceable.
- 5) When ordering this part, customer must determine if an adapter with wings is required and specify when placing order.

REPLACEMENT PARTS LIST FOR MODELS "I7011"

See back page for illustration.

		MODELS:		I7011-A
REF NO.	DESCRIPTION	QTY	NOTES	03/11 thru Current
1	COVER & CORD 200/230V/1PH GRINDER	1	3	151478
2	• SEAL,SQ-RING COVER	1		014592
3	• SEAL,THRU WALL TERM	9		003402
4	HOUSING,MTR-& STR 200V/1PH	1	4	010267
5	• OIL,DIELECTRIC-(57 OZ CAN)	1		009051
6	ROTOR ASM 200/230V/1PH	1		010269
7	RING,SNAP-5100-100 TRUARC	1		007769
8	KEY	1		011711
9	CORDAGE TERM&SEAL/20'	1		009053
10	• SEAL,CORD-ASM	1		011064
11	CORDAGE TERM&SEAL/20'	1	3	015829
12	• SEAL,CORD-ASM/POWER CORD	1		015634
13	CASE & SEAL	1		015830
14	• PLUG,TEST	3		015023
15	• BEARING,RADIAL .4724 ID	1		006703
16	• BEARING,7306-P	1		007765
17	• SEAL,SQ-RING ADAPTER	1		014257
18	• SENSOR,MOISTURE ASM	2		007770
19	ADAPTER ASM GRINDER	1	5	009055
20	• OIL,DIELECTRIC (11 OZ CAN)	1		009056
21	• SEAL ASM,SHAFT UPPER	1		007763
21	• SEAL ASM,SHAFT LOWER	1		151365
22	• SEAL,SQ-RING SEAL PLATE	1		014591
23	PLATE,SEAL-MACH.	1		007757
24	IMPELLER-MACH. DUCTILE IRON	1		153254
25	HOUSING,PUMP-MACH.	1		008534
26	CUTTER & DISC ASM GRINDER	1		018603
27	SHIM SET FOR GRINDERS	1		012632
28	GUARD,CUTTER-PLASTIC	1		008528
29	• SCREW,#6-32X.25RHM SL TC STLGR	1		001877
30	• SCREW,.313-18 X1.25 HH CAP-SS	12		001908
31	• SCREW,#10-24X.625" SH CAP SS.	4		007774
32	• SCREW,.25-20 X 1 LG HH SS (NYLOCK PRE-COAT 80)	1		018602
33	• SCREW,.25-20X.75" SH CAP SS.	3		007768
34	• SCREW,#10-24X.875-FLT SH CAP SS.	3		007761
35	• WASHER,RETAINING	1		008533
36	• WASHER,LOCK SS .312 ID	14		006402
37	• SCREW,.313-18 X 1" HH CAP-SS	2		002608
38	HANDLE-SS/SQ GUIDE RAIL/(GRINDER)	1		016801
39	RESISTOR	1		013740
40	• WASHER,FLAT SS	2		008773
41	DISC, CUTTER	1		007735
42	CUTTER/SHIM ASM/5 BLADE/1" SCREW	1		019698
□	REBUILD KIT	1		151481

• Items included in Rebuild Kit.

□ Not Shown in Illustration.

NOTES:

- 1) See FM0160 Price Sheet for listing of parts prices.
- 2) "NA" indicates, not applicable.
- 3) If an "X" follows Model No., or Date Mfg. on brass ID tag, consult factory for ordering of this part.
- 4) Housing, MTR & Stator (Item 4) is preassembled at factory and must be replaced as a unit. Stator is permanently attached to the Motor Housing. Plug (Item 14) and Seal, thru Wall Term. (Item 3) are replaceable.
- 5) When ordering this part, customer must determine if an adapter with wings is required and specify when placing order.

REPLACEMENT PARTS LIST FOR MODELS "F7011"

See back page for illustration.

MODELS: F7011-A				
REF NO.	DESCRIPTION	QTY	NOTES	03/11 thru Current
1	COVER & CORD 200/230/460/575V/3PH GRINDER	1	3	151479
2	• SEAL,SQ-RING COVER	1		014592
3	• SEAL,THRU WALL TERM	9		003402
4	HOUSING,MTR-& STR 230V/3PH	1	4	010263
5	• OIL,DIELECTRIC-(67 OZ CAN)	1		009064
6	ROTOR ASM 200/230/460/575V/3PH	1		010268
7	RING,SNAP-5100-100 TRUARC	1		007769
8	KEY	1		011711
9	CORDAGE TERM&SEAL/20'	1		012928
10	• SEAL,CORD-ASM/SENSOR CD 5	1		012953
11	CORDAGE TERM&SEAL/20'	1	3	015828
12	• SEAL,CORD-ASM/POWER CORD	1		015634
13	CASE & SEAL	1		015830
14	• PLUG,TEST	3		015023
15	• BEARING,RADIAL .4724 ID	1		006703
16	• BEARING,7306-P	1		007765
17	• SEAL,SQ-RING ADAPTER	1		014257
18	• SENSOR,MOISTURE ASM	2		007770
19	ADAPTER ASM GRINDER	1	5	009055
20	• OIL,DIELECTRIC (11 OZ CAN)	1		009056
21	• SEAL ASM,SHAFT UPPER	1		007763
21	• SEAL ASM,SHAFT LOWER	1		151365
22	• SEAL,SQ-RING SEAL PLATE	1		014591
23	PLATE,SEAL-MACH.	1		007757
24	IMPELLER-MACH. DUCTILE IRON	1		153254
25	HOUSING,PUMP-MACH.	1		008534
26	CUTTER & DISC ASM GRINDER	1		018603
27	SHIM SET FOR GRINDERS	1		012632
28	GUARD,CUTTER-PLASTIC	1		008528
29	• SCREW,#6-32X.25RHM SL TC STLGR	1		001877
30	• SCREW,.313-18 X1.25 HH CAP-SS	12		001908
31	• SCREW,#10-24X.625"SH CAP SS.	4		007774
32	• SCREW,.25-20 X 1 LG HH SS (NYLOCK PRE-COAT 80)	1		018602
33	• SCREW,.25-20X.75"SH CAP SS.	3		007768
34	• SCREW,#10-24X.875-FLT SH CAP SS.	3		007761
35	• WASHER,RETAINING	1		008533
36	• WASHER,LOCK SS .312 ID	14		006402
37	• SCREW,.313-18 X 1" HH CAP-SS	2		002608
38	HANDLE-SS/SQ GUIDE RAIL/(GRINDER)	1		016801
39	• RESISTOR	1		013740
40	• WASHER,FLAT SS	2		008773
41	DISC, CUTTER	1		007735
42	CUTTER/SHIM ASM/5 BLADE/1" SCREW	1		019698
□	REBUILD KIT "7011" 5 CONDUCTOR SENSOR CORD	1		151480

- Items included in Rebuild Kit.
- Not Shown in Illustration.

NOTES:

- 1) See FM0160 Price Sheet for listing of parts prices.
- 2) "NA" indicates, not applicable.
- 3) If an "X" follows Model No., or Date Mfg. on brass ID tag, consult factory for ordering of this part.
- 4) Housing, MTR & Stator (Item 4) is preassembled at factory and must be replaced as a unit. Stator is permanently attached to the Motor Housing. Plug (Item 14) and Seal, thru Wall Term. (Item 3) are replaceable.
- 5) When ordering this part, customer must determine if an adapter with wings is required and specify when placing order.

REPLACEMENT PARTS LIST FOR MODELS "G7011"

See back page for illustration.

MODELS: G7011-A				
REF NO.	DESCRIPTION	QTY	NOTES	03/11 thru Current
1	COVER & CORD 200/230/460/575V/3PH GRINDER	1	3	151479
2	• SEAL,SQ-RING COVER	1		014592
3	• SEAL,THRU WALL TERM	9		003402
4	HOUSING,MTR-& STR 460V/3PH	1	4	010264
5	• OIL,DIELECTRIC-(67 OZ CAN)	1		009064
6	ROTOR ASM 200/230/460/575V/3PH	1		010268
7	RING,SNAP-5100-100 TRUARC	1		007769
8	KEY	1		011711
9	CORDAGE TERM&SEAL/20'	1		012928
10	• SEAL,CORD-ASM/SENSOR CD 5	1		012953
11	CORDAGE TERM&SEAL/20'	1	3	015828
12	• SEAL,CORD-ASM/POWER CORD	1		015634
13	CASE & SEAL	1		015830
14	• PLUG,TEST	3		015023
15	• BEARING,RADIAL .4724 ID	1		006703
16	• BEARING,7306-P	1		007765
17	• SEAL,SQ-RING ADAPTER	1		014257
18	• SENSOR,MOISTURE ASM	2		007770
19	ADAPTER ASM GRINDER	1	5	009055
20	• OIL,DIELECTRIC (11 OZ CAN)	1		009056
21	• SEAL ASM,SHAFT UPPER	1		007763
21	• SEAL ASM,SHAFT LOWER	1		151365
22	• SEAL,SQ-RING SEAL PLATE	1		014591
23	PLATE,SEAL-MACH.	1		007757
24	IMPELLER-MACH. DUCTILE IRON	1		153254
25	HOUSING,PUMP-MACH	1		008534
26	CUTTER & DISC ASM GRINDER	1		018603
27	SHIM SET FOR GRINDERS	1		012632
28	GUARD,CUTTER-PLASTIC	1		008528
29	• SCREW,#6-32X.25RHM SL TC STLGR	1		001877
30	• SCREW,.313-18 X1.25 HH CAP-SS	12		001908
31	• SCREW,#10-24X.625"SH CAP SS.	4		007774
32	• SCREW,.25-20 X 1 LG HH SS (NYLOCK PRE-COAT 80)	1		018602
33	• SCREW,.25-20X.75"SH CAP SS.	3		007768
34	• SCREW,#10-24X.875-FLT SH CAP SS.	3		007761
35	• WASHER,RETAINING	1		008533
36	• WASHER,LOCK SS .312 ID	14		006402
37	• SCREW,.313-18 X 1" HH CAP-SS	2		002608
38	HANDLE-SS/SQ GUIDE RAIL/(GRINDER)	1		016801
39	• RESISTOR	1		013740
40	• WASHER,FLAT SS	2		008773
41	DISC, CUTTER	1		007735
42	CUTTER/SHIM ASM/5 BLADE/1" SCREW	1		019698
□	REBUILD KIT "7011" 5 CONDUCTOR SENSOR CORD	1		151480

• Items included in Rebuild Kit.

□ Not Shown in Illustration.

NOTES:

- 1) See FM0160 Price Sheet for listing of parts prices.
- 2) "NA" indicates, not applicable.
- 3) If an "X" follows Model No., or Date Mfg. on brass ID tag, consult factory for ordering of this part.
- 4) Housing, MTR & Stator (Item 4) is preassembled at factory and must be replaced as a unit. Stator is permanently attached to the Motor Housing. Plug (Item 14) and Seal, thru Wall Term. (Item 3) are replaceable.
- 5) When ordering this part, customer must determine if an adapter with wings is required and specify when placing order.

REPLACEMENT PARTS LIST FOR MODELS "J7011"

See back page for illustration.

MODELS: J7011-A				
REF NO.	DESCRIPTION	QTY	NOTES	03/11 thru Current
1	COVER & CORD 200/230/460/575V/3PH GRINDER	1	3	151479
2	• SEAL,SQ-RING COVER	1		014592
3	• SEAL,THRU WALL TERM	9		003402
4	HOUSING,MTR-& STR 200V/3PH	1	4	010265
5	• OIL,DIELECTRIC-(67 OZ CAN)	1		009064
6	ROTOR ASM 200/230/460/575V/3PH/	1		010268
7	RING,SNAP-5100-100 TRUARC	1		007769
8	KEY	1		011711
9	CORDAGE TERM&SEAL/20'	1		012928
10	• SEAL,CORD-ASM/SENSOR CD 5	1		012953
11	CORDAGE TERM&SEAL/20'	1	3	015828
12	• SEAL,CORD-ASM/POWER CORD	1		015634
13	CASE & SEAL	1		015830
14	• PLUG,TEST	3		015023
15	• BEARING,RADIAL .4724 ID	1		006703
16	• BEARING,7306-P	1		007765
17	• SEAL,SQ-RING ADAPTER	1		014257
18	• SENSOR,MOISTURE ASM	2		007770
19	ADAPTER ASM GRINDER	1	5	009055
20	• OIL,DIELECTRIC (11 OZ CAN)	1		009056
21	• SEAL ASM,SHAFT UPPER	1		007763
21	• SEAL ASM,SHAFT LOWER	1		151365
22	• SEAL,SQ-RING SEAL PLATE	1		007772
23	PLATE,SEAL-MACH.	1		007757
24	IMPELLER-MACH. DUCTILE IRON	1		153254
25	HOUSING,PUMP-MACH	1		008534
26	CUTTER & DISC ASM GRINDER	1		018603
27	SHIM SET FOR GRINDERS	1		012632
28	GUARD,CUTTER-PLASTIC	1		008528
29	• SCREW,#6-32X.25RHM SL TC STLGR	1		001877
30	• SCREW,.313-18 X1.25 HH CAP-SS	12		001908
31	• SCREW,#10-24X.625"SH CAP SS.	4		007774
32	• SCREW,.25-20 X 1 LG HH SS (NYLOCK PRE-COAT 80)	1		018602
33	• SCREW,.25-20X.75"SH CAP SS.	3		007768
34	• SCREW,#10-24X.875-FLT SH CAP SS.	3		007761
35	• WASHER,RETAINING	1		008533
36	• WASHER,LOCK SS .312 ID	14		006402
37	• SCREW,.313-18 X 1" HH CAP-SS	2		002608
38	HANDLE-SS/SQ GUIDE RAIL/(GRINDER)	1		016801
39	• RESISTOR	1		013740
40	• WASHER,FLAT SS	2		008773
41	DISC, CUTTER	1		007735
42	CUTTER/SHIM ASM/5 BLADE/1" SCREW	1		019698
□	REBUILD KIT 5 CONDUCTOR SENSOR CORD	1		151480

• Items included in Rebuild Kit.

□ Not Shown in Illustration.

NOTES:

- 1) See FM0160 Price Sheet for listing of parts prices.
- 2) "NA" indicates, not applicable.
- 3) If an "X" follows Model No., or Date Mfg. on brass ID tag, consult factory for ordering of this part.
- 4) Housing, MTR & Stator (Item 4) is preassembled at factory and must be replaced as a unit. Stator is permanently attached to the Motor Housing. Plug (Item 14) and Seal, thru Wall Term. (Item 3) are replaceable.
- 5) When ordering this part, customer must determine if an adapter with wings is required and specify when placing order.

REPLACEMENT PARTS LIST FOR MODELS "BA7011"

See back page for illustration.

MODELS: BA7011-A				
REF NO.	DESCRIPTION	QTY	NOTES	03/11 thru Current
1	COVER & CORD 200/230/460/575V/3PH GRINDER	1	3	151479
2	• SEAL,SQ-RING COVER	1		014592
3	• SEAL,THRU WALL TERM	9		003402
4	HOUSING,MTR-& STR 575V/3PH	1	4,5	010670
5	• OIL,DIELECTRIC-(67 OZ CAN)	1		009064
6	ROTOR ASM 200/230/460/575V/3PH	1	5	010268
7	RING,SNAP-5100-100 TRUARC	1		007769
8	KEY	1		011711
9	CORDAGE TERM&SEAL/20'	1		012928
10	• SEAL,CORD-ASM/SENSOR CD 5	1		012953
11	CORDAGE TERM&SEAL/20'	1	3	015828
12	• SEAL,CORD-ASM	1		015634
13	CASE & SEAL	1		015830
14	• PLUG,TEST	3		015023
15	• BEARING,RADIAL .4724 ID	1		006703
16	• BEARING,7306-P	1		007765
17	• SEAL,SQ-RING ADAPTER	1		014257
18	• SENSOR,MOISTURE ASM	2		007770
19	ADAPTER ASM GRINDER	1	6	009055
20	• OIL,DIELECTRIC (11 OZ CAN)	1		009056
21	• SEAL ASM,SHAFT UPPER	1		007763
21	• SEAL ASM,SHAFT LOWER	1		151365
22	• SEAL,SQ-RING SEAL PLATE	1		014591
23	PLATE,SEAL-MACH	1		007757
24	IMPELLER-MACH. DUCTILE IRON	1		153254
25	HOUSING,PUMP-MACH	1		008534
26	CUTTER & DISC ASM GRINDER	1		018603
27	SHIM SET FOR GRINDERS	1		012632
28	GUARD,CUTTER-PLASTIC	1		008528
29	• SCREW,#6-32X.25RHM SL TC STLGR	1		001877
30	• SCREW,.313-18 X1.25 HH CAP-SS	12		001908
31	• SCREW,#10-24X.625"SH CAP SS.	4		007774
32	• SCREW,.25-20 X 1 LG HH SS (NYLOCK PRE-COAT 80)	1		018602
33	• SCREW,.25-20X.75"SH CAP SS.	3		007768
34	• SCREW,#10-24X.875-FLT SH CAP SS.	3		007761
35	• WASHER,RETAINING	1		008533
36	• WASHER,LOCK SS .312 ID	14		006402
37	• SCREW,.313-18 X 1" HH CAP-SS	2		002608
38	HANDLE-SS/SQ GUIDE RAIL/(GRINDER)	1		016801
39	• RESISTOR	1		013740
40	• WASHER,FLAT SS	2		008773
41	DISC, CUTTER	1		007735
42	CUTTER/SHIM ASM/5 BLADE/1" SCREW	1		019698
□	REBUILD KIT "7011" 5 CONDUCTOR SENSOR CORD	1		151480

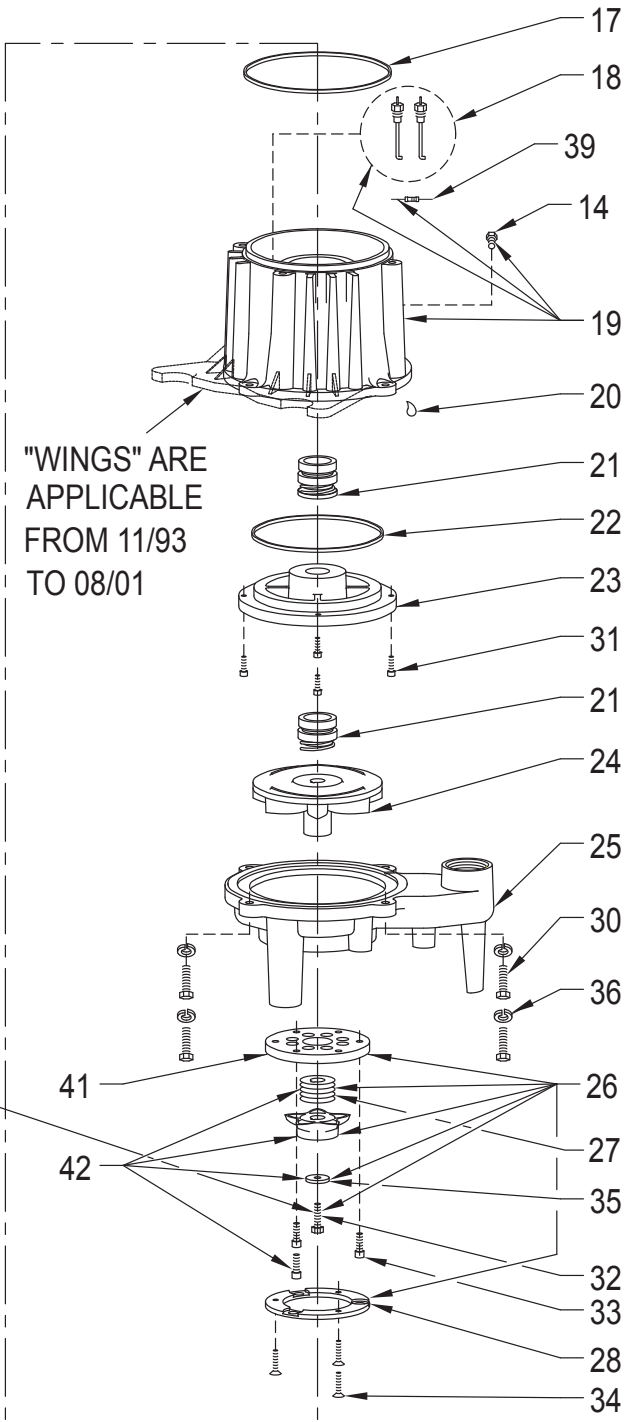
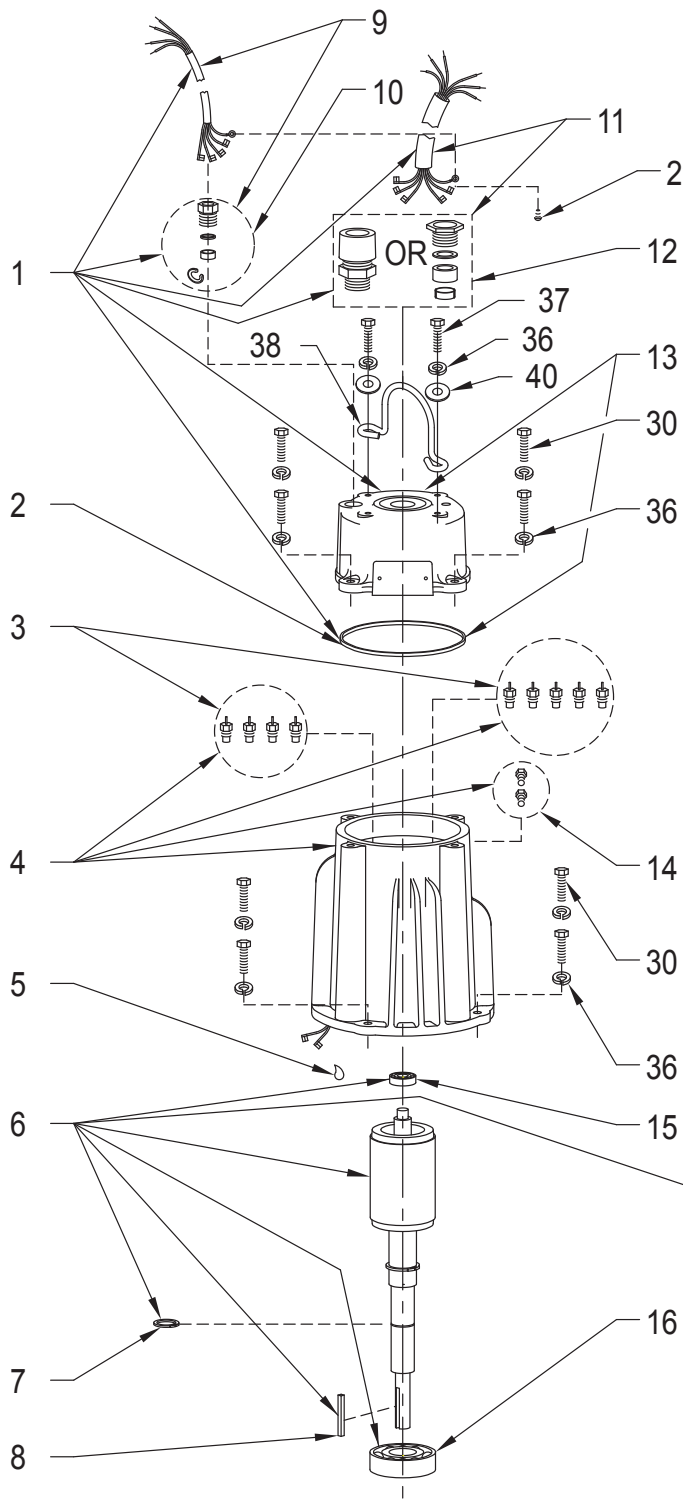
• Items included in Rebuild Kit.

□ Not Shown in Illustration.

NOTES:

- 1) See FM0160 Price Sheet for listing of parts prices.
- 2) "NA" indicates, not applicable.
- 3) If an "X" follows Model No., or Date Mfg. on brass ID tag, consult factory for ordering of this part.
- 4) Housing, MTR & Stator (Item 4) is preassembled at factory and must be replaced as a unit. Stator is permanently attached to the Motor Housing. Plug (Item 14) and Seal, thru Wall Term. (Item 3) are replaceable.
- 5) When ordering these parts, customer must identify if G.E. or EMD.
- 6) When ordering this part, customer must determine if an adapter with wings is required and specify when placing order.

REPLACEMENT PARTS ILLUSTRATION FOR 7011 - ALL MODELS



"WINGS" ARE APPLICABLE FROM 11/93 TO 08/01