



MAIL TO: P.O. BOX 16347 • Louisville, KY 40256-0347
 SHIP TO: 3649 Cane Run Road • Louisville, KY 40211-1961
 Tel: (502) 778-2731 • 1 (800) 928-PUMP

Visit our website:
 zoellerengineered.com

Product information presented here reflects conditions at time of publication. Consult factory regarding discrepancies or inconsistencies.



MODELS 7008 & 7010

TECHNICAL DATA

1.0 & 2.0 HP

MODELS:	<input type="checkbox"/> 7008	<input type="checkbox"/> 7010
PUMP NAME PLATE HORSEPOWER:	1.0	2.0
SERVICE FACTOR:	1.2	1.2
MAXIMUM KW INPUT:	2.1	3.4
STANDARD IMPELLER DIAMETER:	4.25"	5.825"
DISCHARGE SIZE:	<input type="checkbox"/> 1.25" VERTICAL OR <input type="checkbox"/> 1.25" HORIZONTAL	

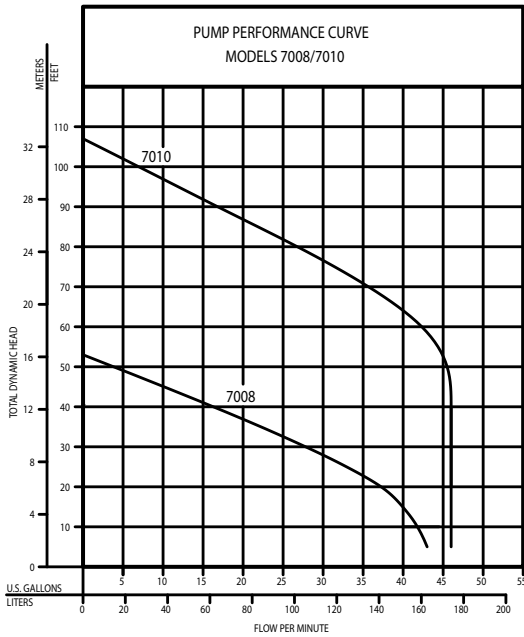
IMPELLER TYPE:	VORTEX, ENGINEERED PLASTIC	MECHANICAL SHAFT SEAL:	TYPE 6A
CUTTER & PLATE:	440C SS HARDENED TO ROCKWELL C55-60	MOTOR DESIGN LETTER:	NEMA L (1Ph)
PUMP NET WEIGHT:	88 lbs. (39.9 kg)	POWER CORD LENGTH: ft (m) (20' STANDARD) OPTIONAL:	<input type="checkbox"/> 25' <input type="checkbox"/> 35' <input type="checkbox"/> 50' (7.6 m) (10.7 m) (15.2 m)
O-RING & GASKET:	VITON		
MOTOR SHAFT:	416 SS	POWER CORD:	14 GAUGE SOOW
RPM:	3450	STATOR & LEAD WIRES INSULATION:	CLASS B
MOTOR TYPE:	SUBMERSIBLE	MAXIMUM STATOR TEMPERATURE:	266 °F (130 °C)

SHAFT SEAL CONSTRUCTION:	STANDARD	SILICON CARBIDE/CARBON
	OPTIONAL	<input type="checkbox"/> SILICON CARBIDE/SILICON CARBIDE
MOTOR PROTECTION	INTEGRAL OVERLOAD (1 PH)	
IMPELLER MATERIAL	ENGINEERED PLASTIC	
MAXIMUM WATER TEMPERATURE:	130 °F (54 °C)	

MODEL	HP	SERVICE FACTOR	<input type="checkbox"/> 115V / 1 PH		<input type="checkbox"/> 200V / 1 PH		<input type="checkbox"/> 230V / 1 PH	
			FLA	LRA	FLA	LRA	FLA	LRA
7008	1.0	1.2	13.6	46.0	7.7	27.7	6.5	30.0
7010	2.0	1.2	--	--	15.5	61.6	13.7	57.0

Zoeller® Engineered Products • 3649 Cane Run Road • Louisville, Kentucky 40211-1961 • (502) 778-2731

SWPA Data Categories Presented -- Data on this sheet supply design information as the minimum recommended by the Submersible Wastewater Pump Association and is defined in accordance with SWPA's Standardized Definitions for Pump and Motor Characteristics. The accuracy of the data is the responsibility of Zoeller Engineered Products.



154108

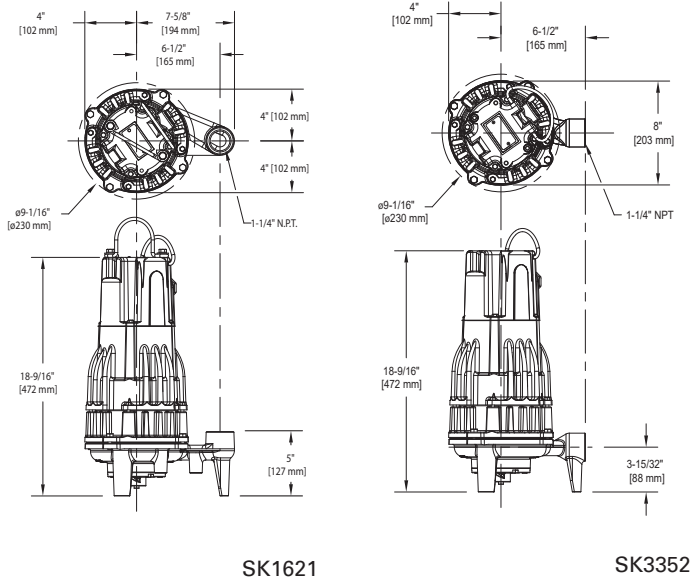
**TOTAL DYNAMIC HEAD/FLOW
PER MINUTE
SEWAGE AND DEWATERING**

MODEL		7008		7010	
Feet	Meters	Gal.	Liters	Gal.	Liters
5	1.5	43	163	46	174
10	3.0	42	159	46	174
15	4.6	40	151	46	174
20	6.1	37	140	46	174
25	7.6	33	125	46	174
30	9.1	28	106	46	174
35	10.7	22	83	46	174
40	12.2	16.5	62	46	174
50	15.2	-	-	46	174
60	18.3	-	-	43	163
70	21.3	-	-	36	136
80	24.4	-	-	27	102
90	27.4	-	-	16.7	63
100	30.5	-	-	7	26
Shut-off Head:		53 ft. (16.2m)		107 ft. (32.6m)	

Standard all models - 20 ft. cord - 1 HP				
7008 Models	Control Section			Listed
	Volts	Ph	Amps	cCSAus
WM7008*	115	1	13.6	Yes
N7008	115	1	13.6	Yes
WH7008*	200	1	7.7	Yes
I7008	200	1	7.7	Yes
WD7008*	230	1	6.5	Yes
E7008	230	1	6.5	Yes

Standard all models - 20 ft. cord - 2 HP				
7010 Models	Control Section			Listed
	Volts	Ph	Amps	cCSAus
WH7010*	200	1	15.5	Yes
I7010	200	1	15.5	Yes
WD7010*	230	1	13.7	Yes
E7010	230	1	13.7	Yes

*Automatic pump with variable level float switch



FEATURES

- Durable epoxy coated cast iron construction
- Bearings - upper and lower ball bearing
- Stainless steel motor shaft
- Motor - 1 -2 HP, 60 Hz, 1750 RPM, 3450 RPM, 1 PH, oil-filled, hermetically sealed, automatic reset thermal overload protected
- Silicon carbide/carbon shaft seal.
- Viton O-ring seals and cover gasket
- Impeller - non-clogging engineered plastic vortex impeller with metal insert
- 20 for UL listed 3-wire SOOW cord. Longer cords available in 25', 35' & 50'.
- Hardened 440C stainless steel cutter and disc, Rockwell C55-60
- 304 SS hardware
- 1.25 NPT Horizontal or Vertical discharge
- 100% computerized tested