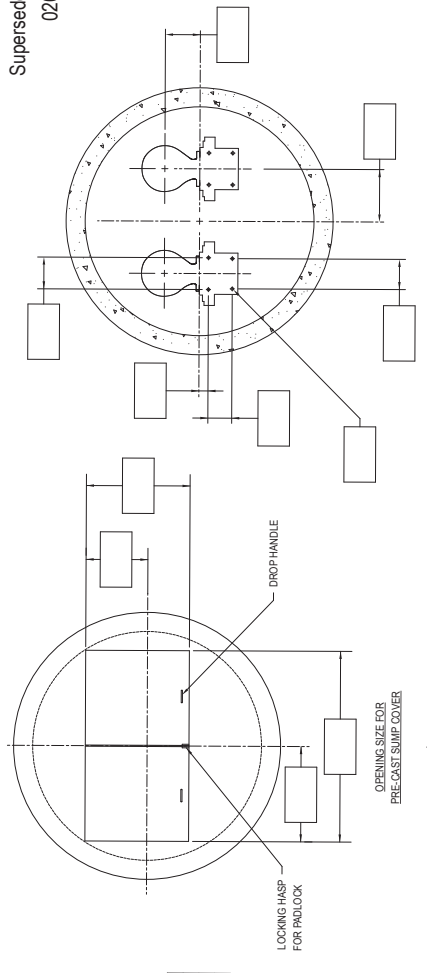
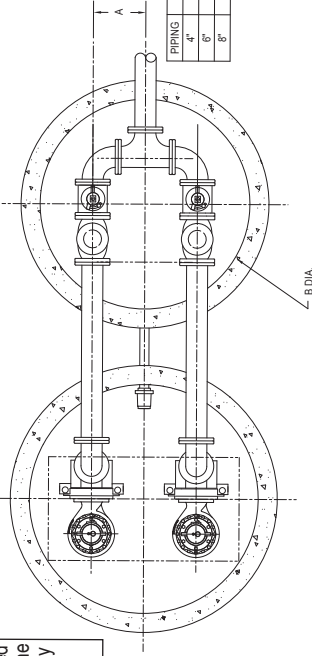


# Trusted. Tested. Tough.

Product information presented here reflects conditions at time of publication. Consult factory regarding discrepancies or inconsistencies.

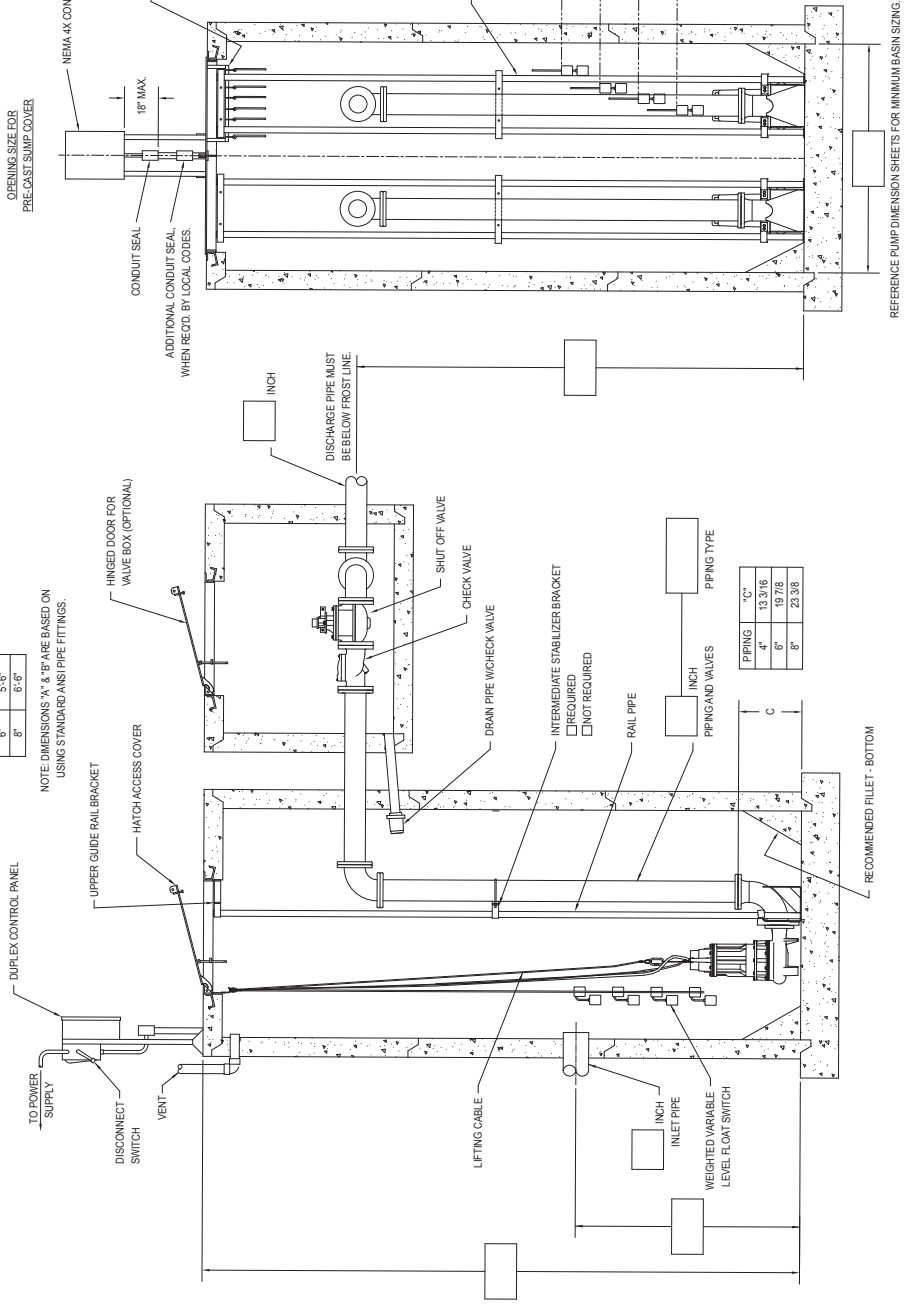
SECTION: Z8.00.900  
ZM1344  
1121  
Supersedes  
0207



REFERENCE LIFT STATION LAYOUT SHEETS FOR ANCHOR LOCATIONS AND HATCH DIMENSIONS

PIPING "B"	"C"
4"	13.3/16"
6"	19.7/16"
8"	23.3/8"

NOTE: DIMENSIONS "A" & "B" ARE BASED ON USING STANDARD ANSI PIPE FITTINGS.



### PUMP STATION DESIGN DATA

AVG. DAILY SEWAGE FLOW: \_\_\_\_\_ G.P.D.  
 AVG. FLOW: \_\_\_\_\_ G.P.D./1,440  
 DESIGN PUMPING RATE PER PUMP, 300%:  $3 \times$  \_\_\_\_\_ G.P.M.  
 STATIC HEAD: \_\_\_\_\_ FEET  
 FORCE MAIN SIZE: \_\_\_\_\_" (M.T.S. \_\_\_\_\_) (C= \_\_\_\_\_)  
 DYNAMIC HEAD LOSS @ \_\_\_\_\_ G.P.M. (PUMPING RATE)  
 TOTAL DYNAMIC HEAD (T.D.H.): \_\_\_\_\_ FEET  
 \* DESIGN PER LOCAL CODE.

### PUMP STATION DATA

TWO \_\_\_\_\_ HP (MIN.) PUMPS  
 CAPACITY (OPERATING POINT) \_\_\_\_\_ G.P.M. @ \_\_\_\_\_ T.D.H.  
 PUMP MODEL: \_\_\_\_\_; IMPELLER DIA.: \_\_\_\_\_  
 DISCHARGE SIZE: \_\_\_\_\_"  
 SOLIDS PASSING SIZE: \_\_\_\_\_"  
 VOLTAGE: \_\_\_\_\_  
 PHASE: \_\_\_\_\_

**ZOELLER**  
ENGINEERED PRODUCTS

MAIL TO: P.O. BOX 16347 • Louisville, KY 40256-0347  
 SHIP TO: 3649 Carle Run Road • Louisville, KY 40211-1961  
 (502) 778-2731 • T (800) 928-PUMP • FAX (502) 774-3624

Duplex Concrete  
Pump Station  
Layout