

Product information presented here reflects conditions at time of publication. Consult factory regarding discrepancies or inconsistencies.

MAIL TO: P.O. BOX 16347 • Louisville, KY 40256-0347
 SHIP TO: 3649 Cane Run Road • Louisville, KY 40211-1961
 Tel: (502) 778-2731 • 1 (800) 928-PUMP

Visit our website:
zoellerengineered.com

REPLACEMENT PARTS LIST FOR 7008 GRINDER MODELS:

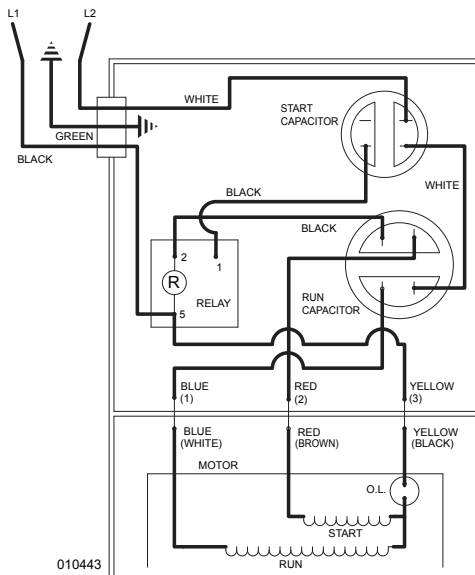
- N7008 NONAUTOMATIC 115V 1PH
- E7008 NONAUTOMATIC 230V 1PH
- I7008 NONAUTOMATIC 200V 1PH
- WM7008 AUTOMATIC w/wired float switch 115V 1PH
- WD7008 AUTOMATIC w/wired float switch 230V 1PH
- WH7008 AUTOMATIC w/wired float switch 200V 1PH
- J7008 NONAUTOMATIC 200 V 3PH
- F7008 NONAUTOMATIC 230 V 3PH
- G7008 NONAUTOMATIC 460 V 3PH
- BA7008 NONAUTOMATIC 575 V 3PH

Consult factory for all other models

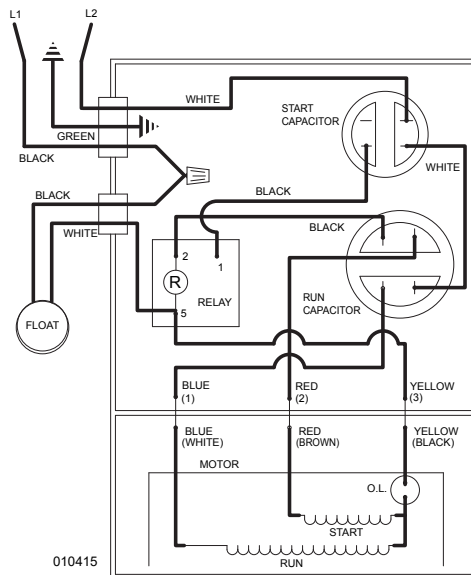
TO ORDER REPLACEMENT PARTS:

PLEASE FURNISH THE FOLLOWING INFORMATION:

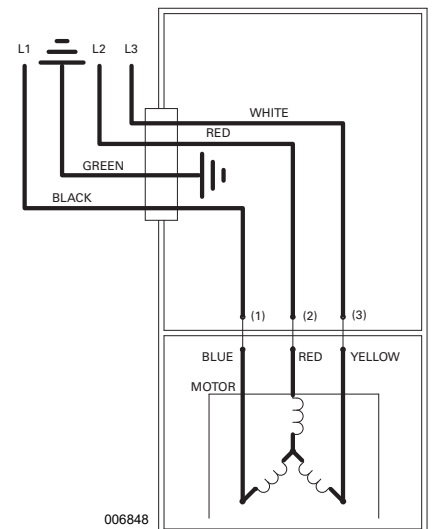
- Model Number
- Part Number of Pump
- Part Number and Description of part



WIRING DIAGRAM FOR MODELS
 "N7008", "E7008", "I7008"
 All Revisions



WIRING DIAGRAM FOR MODELS
 "WM7008", "WD7008", "WH7008"
 All Revisions



WIRING DIAGRAM FOR MODELS
 "J7008", "F7008", "G7008",
 and "BA7008" All Revisions
 09/17 thru Current

REPLACEMENT PARTS LIST FOR MODELS “J7008”, “F7008”, “G7008” & “BA7008”

See back page for illustration.

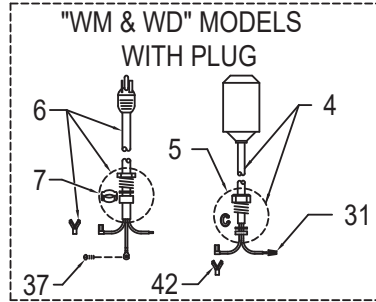
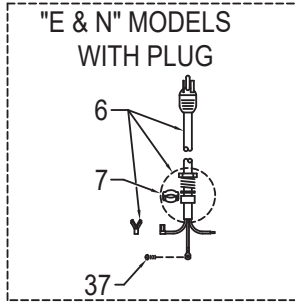
REF NO.	DESCRIPTION	QTY	NOTE	MODELS:			
				J7008-A	F7008-A	G7008-A	BA7008-A
				09/17 thru Current	09/17 thru Current	09/17 thru Current	09/17 thru Current
1	• HANDLE	1		217069	217069	217069	217069
2	COVER AND CORD 3PH/NONAUTO "7008"	1		154717	154717	154717	154717
3	COVER-MACH & HANDLE ASM	1		015612	015612	015612	015612
4	SWITCH,FLT-TERM & SEAL	0		N/A	N/A	N/A	N/A
5	SEAL, CORD-FLOAT SWITCH	0		N/A	N/A	N/A	N/A
6	CORD TERM & SEAL	1		014177	014177	014177	014177
7	• SEAL, CORD-ASM & STR RLF	1		015634	015634	015634	015634
8	• GASKET, CASE/COVER	1		012649	012649	012649	012649
9	• WIRE PKG (6 WIRES)	0		N/A	N/A	N/A	N/A
10	CAPACITOR-START & CLAMP ASM	0		N/A	N/A	N/A	N/A
11	CAPACITOR-RUN & CLAMP ASM	0		N/A	N/A	N/A	N/A
12	RELAY, VOLTAGE SENSING	0		N/A	N/A	N/A	N/A
13	• PLUG, TEST	2		015023	015023	015023	015023
14	• SEAL, THRU WALL TERM	3		003402	003402	003402	003402
15	HOUSING, MTR & STR	1	4	154676	154677	154679	154670
16	• BEARING, 6201	1		006703	006703	006703	006703
17	KEY	1		011711	011711	011711	011711
18	ROTOR & BRG ASM 3PH "7008"	1		154698	154698	154698	154698
19	• BEARING, 7303	1		009861	009861	009861	009861
20	• SEAL, MTR HSG	1		012648	012648	012648	012648
21	• OIL, DIELECTRIC	1		018233	018233	018233	018233
22	ADAPTER-MACH	1		001003	001003	001003	001003
23	• SEAL, SHAFT	1		014675	014675	014675	014675
24	WASHER, SUPPORT-SS	1		010863	010863	010863	010863
25	COLLAR, SHAFT	1		010409	010409	010409	010409
26	IMPELLER-PLASTIC "7008"	1		153909	153909	153909	153909
27	HOUSING, PUMP-MACH "7008"	1		154088	154088	154088	154088
28	CUTTER & DISC ASM "7008"	1		154292	154292	154292	154292
29	CUTTER SHIM SET	1		012632	012632	012632	012632
30	WASHER, RETAINING	1		008533	008533	008533	008533
31	CONNECTOR,WIRENUT 14-16GA	0		N/A	N/A	N/A	N/A
32	• SCREW, .25-20 X .75" SH CAP SS	6		007768	007768	007768	007768
33	• SCREW, .25-20 X .75" HH SS (NYLOCK)	1		009545	009545	009545	009545
34	• SCREW, .313-18 X 1" HH CAP SS	4		002608	002608	002608	002608
35	• SCREW, .25-20 X 1" HHM SS	4		007790	007790	007790	007790
36	• SCREW, .25-20 X .75" HHM SS/INDENTED/UNSLOT	4		001916	001916	001916	001916
37	• SCREW, #6-32X.25RHM SL TC STLGR	1		001877	001877	001877	001877
38	• SPRING, BEARING PRELOAD	1		017192	017192	017192	017192
39	• SCREW, #6-32X.375RHM SL TC ZINC PLATED	0		N/A	N/A	N/A	N/A
40	DISC, CUTTER	1		153203	153203	153203	153203
41	CUTTER & SHIM ASM/2 BLADE/.75" SCREW	1		154295	154295	154295	154295
42	INSULATOR FLAG TERMINAL	0		N/A	N/A	N/A	N/A
	REBUILD KIT	1		151477	151477	151477	151477

- Items included in Rebuild Kit.
- ◻ Not Shown in Illustration.

NOTES:

- 1) See FM0160 price sheet for listing of parts prices.
- 2) "N/A" indicates, not applicable.
- 3) If an "X" follows Model No., or Date Mfg. on brass ID tag, consult factory for ordering of this part.
- 4) Housing, MTR & Stator (Item 15) is preassembled at factory and must be replaced as a unit. Stator is permanently attached to the Motor Housing. Plug (Item 13) and Seal, thru Wall Term. (Item 14) and Bearing (Item 16) are replaceable.

REPLACEMENT PARTS ILLUSTRATION FOR 7008 - ALL MODELS



APPLICABLE CORD, SEAL & GROUND SCREW

