

Trusted. Tested. Tough.®

Product information presented here reflects conditions at time of publication. Consult factory regarding discrepancies or inconsistencies.



SECTION: Z8.00.050  
ZM3397  
0722  
Supersedes  
New

MAIL TO: P.O. BOX 16347 • Louisville, KY 40256-0347  
SHIP TO: 3649 Cane Run Road • Louisville, KY 40211-1961  
(502) 778-2731 • 1 (800) 928-PUMP • FAX (502) 774-3624

Visit our website:  
zoellerengineered.com

## Basin Assemblies, Basin and Covers

### Fiberglass Outdoor Prepackaged Basin Assemblies\*

Zoeller's job-ready package systems make any installation easier for the contractor.

- Fiberglass basin with anti-flotation device
- Fiberglass cover\*\*
- Z-Rail® disconnect system
- 3/4" galvanized guide rails
- Stainless steel lifting cable

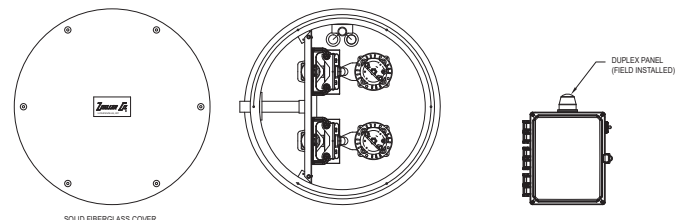
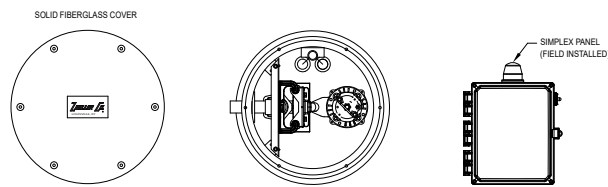
- Powder-coated, ductile iron elbows and brackets
- SCH 80 PVC discharge piping preinstalled
- Ball valve and check valves installed
- 4" inlet pipe seal shipped loose for field installed
- Available in simplex and duplex configurations

\*Does not include pump, panel, floats or float bracket

\*\*Available in steel hatch or aluminum hatch covers

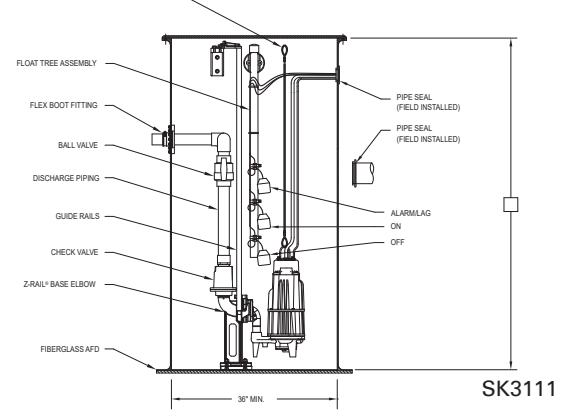
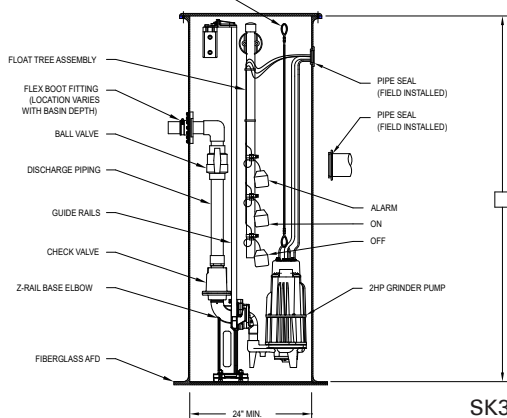
6160 and 6180 Series, 1.5" & 2" Pump Discharge				
6280 and 6290 Series, 2" Discharge				
Order 10-1305 2" flange if ordering a 1.5" Pump discharge				
Simplex		Duplex		Discharge Depth
24" X 60"	33-2220	36" X 60"	33-2274	24" D
24" X 72"	33-2325	36" X 72"	33-2343	
24" X 84"	33-2331	36" X 84"	33-2349	
24" X 96"	33-2232	36" X 96"	33-2286	
30" X 60"	33-2247	48" X 60"	33-2301	24" D
30" X 72"	33-2334	48" X 72"	33-2352	
30" X 84"	33-2340	48" X 84"	33-2358	
30" X 96"	33-2259	48" X 96"	33-2313	
				36" D

7008, 7009, 7010, 7011, 7012 & 7013 Grinders				
Simplex		Duplex		Discharge Depth
24" X 60"	33-2057	36" X 60"	33-2111	24" D
24" X 72"	33-2163	36" X 72"	33-2181	
24" X 84"	33-2169	36" X 84"	33-2187	
24" X 96"	33-2069	36" X 96"	33-2123	
30" X 60"	33-2084	48" X 60"	33-2138	24" D
30" X 72"	33-2172	48" X 72"	33-2190	
30" X 84"	33-2178	48" X 84"	33-2196	
30" X 96"	33-2096	48" X 96"	33-2150	
				36" D



18" 302 STAINLESS STEEL LIFTING CABLE

18" 302 STAINLESS STEEL LIFTING CABLE



# FIBERGLASS INDOOR PREPACKAGED GRINDER BASIN ASSEMBLIES\*

- Fiberglass basin with anti-flotation device
- Rust resistant steel cover (epoxy coated)
- Individual pump covers & inspection plates
- 3" vent pipe seal and cord seal
- 1-1/4" discharge pipe seal
- Ball valve and check valves installed
- 4" inlet pipe seal shipped loose for field installed
- Ball and check valve shipped loose for field installed

Does not include pump, panel, floats or float bracket

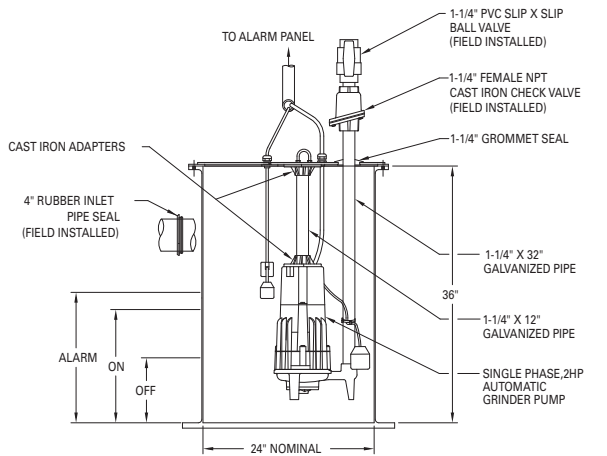
7008, 7009 & 7010			
32-0011	24" x36"	Simplex	3 Float*
32-0009	30" x36"	Simplex	
32-0010	30" x36"	Duplex	4 Float**

7011, 7012 & 7013			
32-0005	24" x36"	Simplex	3 Float*
32-0006	30" x36"	Simplex	
32-0007	30" x36"	Duplex	4 Float**

\*Order 10-0347 3 Floats and Weights

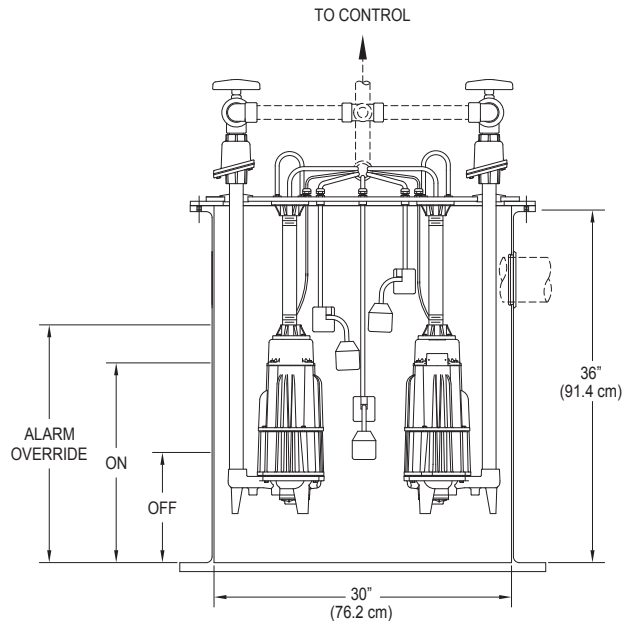
\*\*Order 10-0348 4 Floats and Weights

## SIMPLEX INDOOR SYSTEM



SK1691

## DUPLEX INDOOR SYSTEM



SK1326

PUMPS ROTATED 90° TO SHOW FEATURES

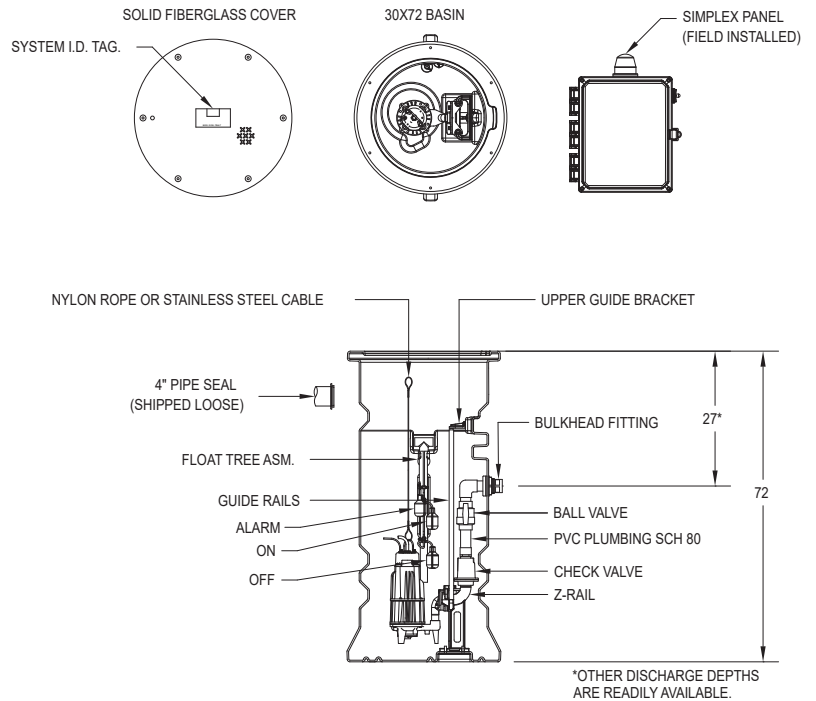
# SIMPLEX HDPE PREPACKAGED BASIN ASSEMBLIES\*

- High density polyethylene from rotomolded processing
- Integral ribs increases strength and prevents settling
- Fiberglass cover\*\*
- Z-Rail® disconnect system
- 3/4" galvanized guide rails
- Lifting rope
- Powder-coated, ductile iron elbows and brackets
- SCH 80 PVC discharge piping preinstalled
- Ball valve and check valves installed
- 4" inlet pipe seal shipped loose for field installed
- Integral lifting lugs for ease of handling
- Anti-flotation flange designed to be secured to a pad
- Available for effluent and sewage pump systems (excluding 3" discharge) & 1 & 2 HP centrifugal grinders

\*Does not include pump, panel, floats or float bracket  
 \*\*Available in steel hatch or aluminum hatch covers

1 & 2 HP Centrifugal Grinders		
Simplex		Discharge Depth
30" X 72"	33-3735	27" D
30" X 84"*	33-3736	36" D
30" X 98"*	33-3737	48" D

\*uses a 12" or 26" riser installed on 30" x 72" HDPE basin



SK3283

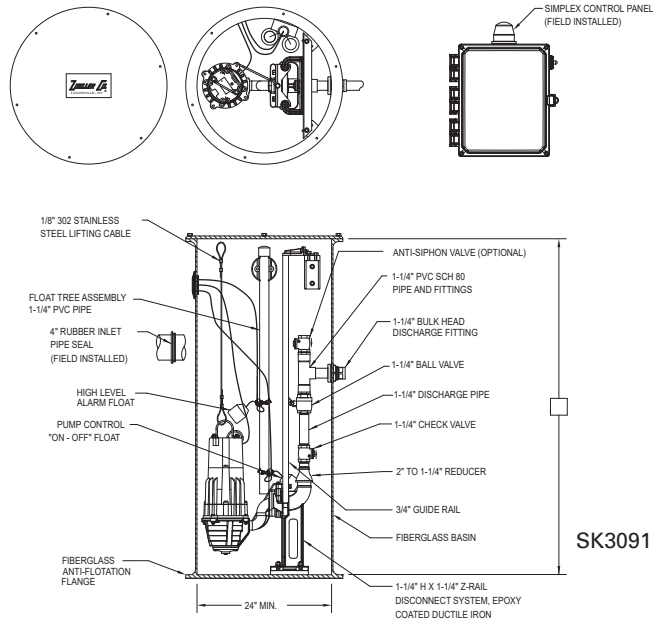
# LPS PREPACKAGED BASIN ASSEMBLIES\*

## 7020 & 7021 Progressing Cavity Systems

- Fiberglass or High Density Polyethylene basin with anti-floatation device
- Fiberglass cover\*\*
- Z-Rail® disconnect system with 3/4" galvanized guide rails
- Stainless steel lifting cable (Fiberglass assembly) or lifting rope (HDPE assembly)
- Powder-coated, ductile iron elbows and brackets
- SCH 80 PVC discharge piping preinstalled
- Ball valve and check valves installed
- 4" inlet pipe seal shipped loose for field installed
- Available in simplex and duplex configurations

\*Does not include pump, panel, floats or float bracket. \*\*Available in steel hatch or aluminum hatch covers.

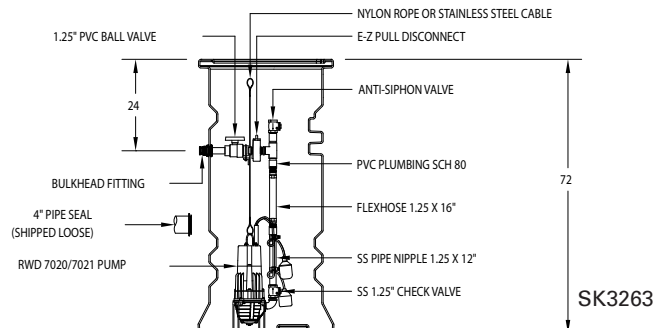
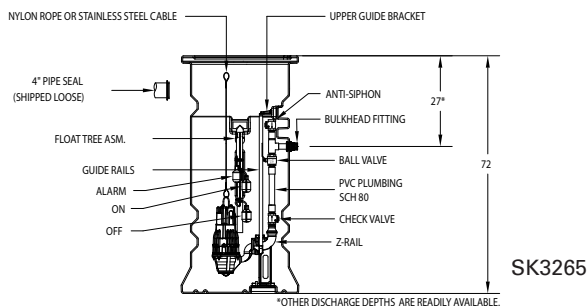
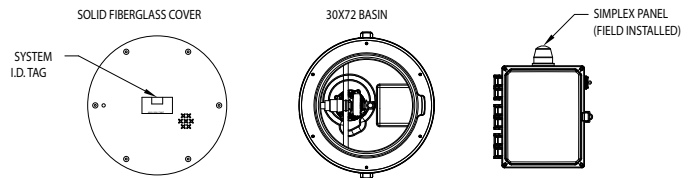
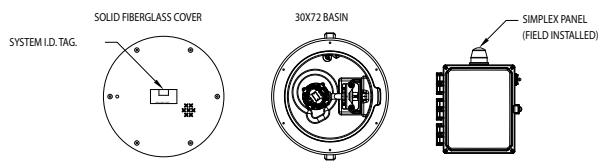
Fiberglass Z-Rail® Simplex		Discharge Depth
24" X 60"	33-2003	24" D
24" X 72"	33-2199	
24" X 84"	33-2205	
24" X 96"	33-2015	36" D
30" X 60"	33-2030	24" D
30" X 72"	33-2208	
30" X 84"	33-2214	
30" X 96"	33-2042	36" D



## HDPE outdoor prepackaged basin assemblies\*

HDPE Z-Rail® Simplex		Discharge Depth
30" X 72"	33-3643	27"
30" X 84"	Consult Factory	39"
30" X 98"	Consult Factory	53"

HDPE Flex Hose Simplex		Discharge Depth
30" X 72"	35-0112	24"
30" X 84"	Consult Factory	36"
30" X 98"	Consult Factory	50"



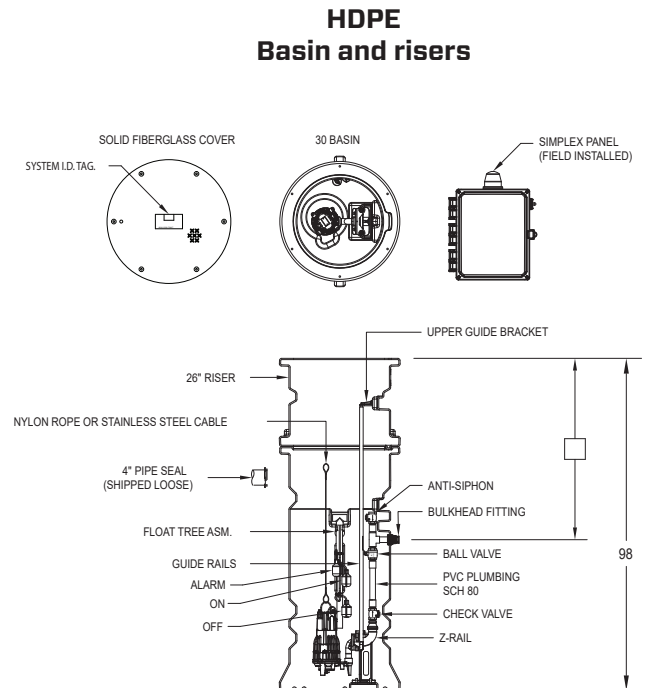
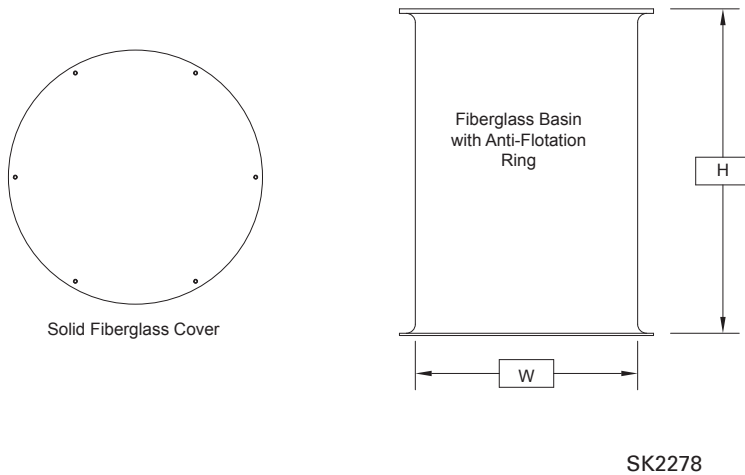
# Fiberglass and HDPE Basin's

FIBERGLASS BASIN - no cover, rail studs or holes drilled			
Size W x H	P/N	Size W x H	P/N
24" X 72"	31-1018	48" X 72"	31-0430
24" X 84"	31-1019	48" X 84"	31-0784
24" X 96"	31-1181	48" X 96"	31-0406
30" X 72"	31-0856	60" X 72"	31-0886
30" X 84"	31-0631	60" X 84"	31-0414
30" X 96"	31-0875	60" X 96"	31-0366*
36" X 72"	31-0781	72" X 72"	31-0512*
36" X 84"	31-0775	72" X 84"	31-2459*
36" X 96"	31-0378	72" X 96"	31-2461*

HDPE BASIN- no cover, rail studs or holes drilled		
Size W x H	Basin	Riser
30" x 72"	31-2794	-
30" X 84" *	31-2794	31-2953
30" X 96" *	31-2794	31-2952

\*Uses 30" x 72" basin with riser combo. Must order both to achieve depth.

Note: consult factory for other size variations  
\*steel AFD



## Fiberglass Extensions

Basin Diameter	Riser Depth	P/N	Basin Diameter	Riser Depth	P/N
24"	6"	31-0206	36"	6"	31-0658
	12"	31-0994		12"	31-0813
	18"	31-0245		18"	31-1014
	24"	31-0954		24"	31-0399
30"	6"	31-0207	48"	6"	31-1777
	12"	31-0449		12"	31-0735
	18"	31-1030		18"	31-1732
	24"	31-0555		24"	31-0398

## Basin Covers

- Blank non-skid, lightweight fiberglass
- Epoxy coated steel hatch cover, .25" thick
- Aluminum 300 psf hatch cover

24"	
17-0337	Solid Fiberglass
17-0570	Steel Hatch
17-0319	Aluminum Hatch

48"	
17-0693	Solid Fiberglass
17-0357	Steel Hatch
17-0370	Aluminum Hatch

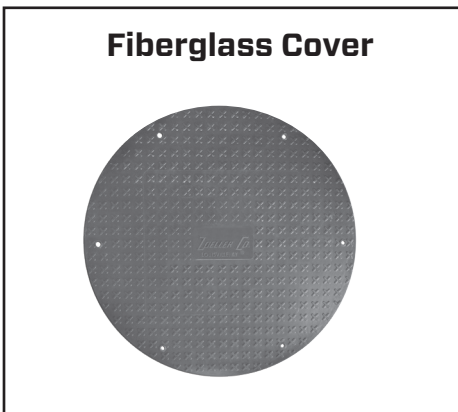
30"	
17-0186	Solid Fiberglass
17-1139	Steel Hatch
17-0760	Aluminum Hatch

60"	
17-0183	Solid Fiberglass
17-0270	Steel Hatch
17-0433	Aluminum Hatch

36"	
17-0149	Solid Fiberglass
17-0558	Steel Hatch
17-0478	Aluminum Hatch

72"	
17-0340	Solid Fiberglass
17-0579	Steel Hatch
17-0622	Aluminum Hatch

Consult factory for gas tight hatch options, vent and discharge options and other configurations



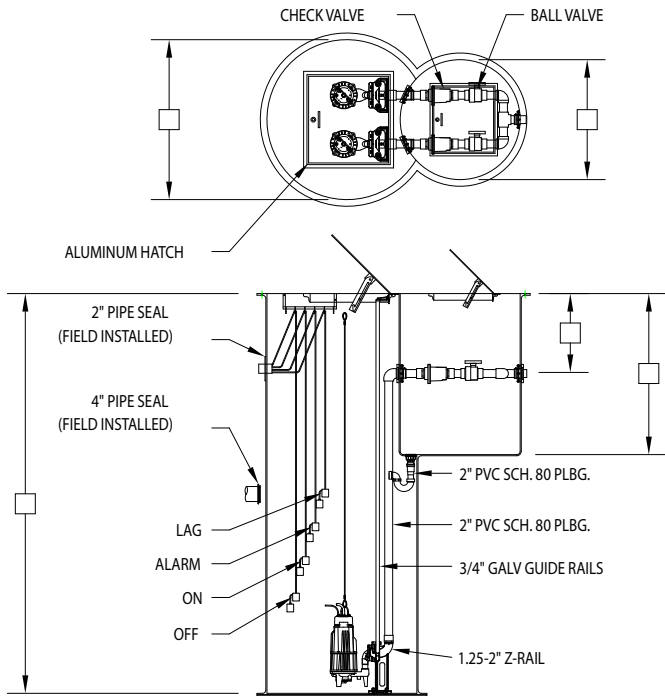
# Custom Basins and Covers

## Custom Prepackaged Basin Assemblies

Consult factory or sales representative for all custom configurations.

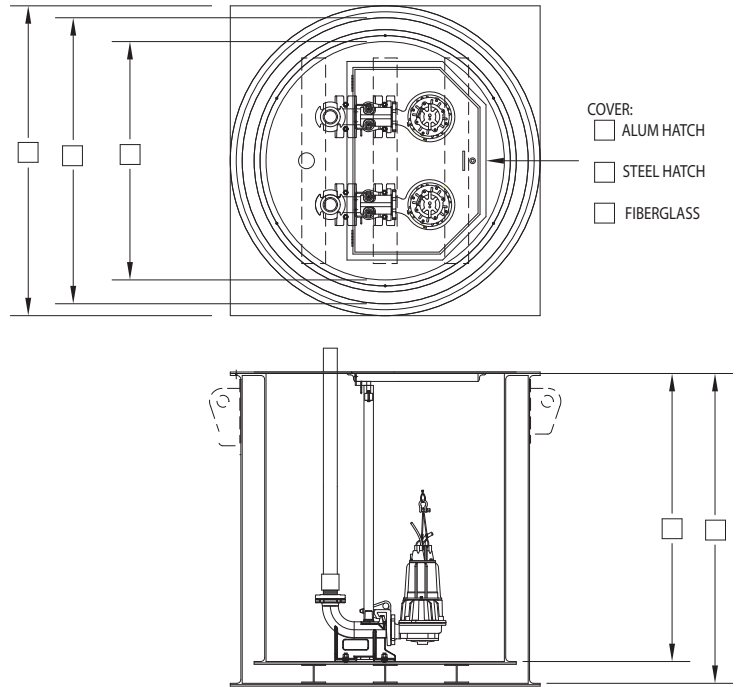
- Attached or detached valve boxes
- Custom piping configurations
- Job specific valving
- H2O traffic rated covers
- UV protected basin
- Freestanding configurations

### Valve Box Assembly



SK3286

### Dual Chamber Basin Assemblies

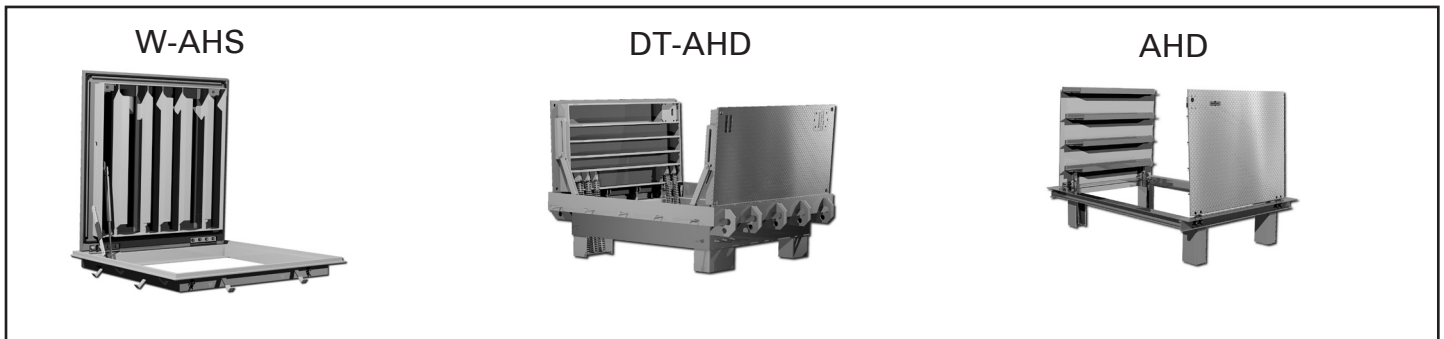


SK3344

## H2O Traffic Rated Covers

- Square aluminum, steel or stainless steel covers
- Poured in concrete casting above the basin\*
- Sizing of cover is based on application demands
- Types of cover ratings:
  - Pedestrian load
  - Occasional truck traffic
  - Full traffic
  - Aircraft loads
  - Special equipment loads
- Consult factory for product availability

\*fiberglass basins are unable to sustain the weight of vehicle traffic. Consult engineer on the job for proper concrete thickness.



## Basin and cover accessories

Pipe Seals		
Pipe Seal Size	All Basin Sizes	Hole Size Required
1-1/4"	008813	2"
1-1/2"	009170	3"
2"	005588	3"
3"	005587	4"
4"	005196	5"
6"	009850	7"

Cast Iron Inlet Hubs					
Basin Diameter	Cast Iron				
	4" Hub	6" Hub	8" Hub	6" Hub	8" Hub
24"	004997	007818	010057	019939	Consult Factory
30"	004997	007818	010057	019939	
36"	004997	007818	010057	019939	
48"	004997	007818	010057	019939	
60"	004997	007818	010057	019939	
72"	004997	007818	010057	019939	019180

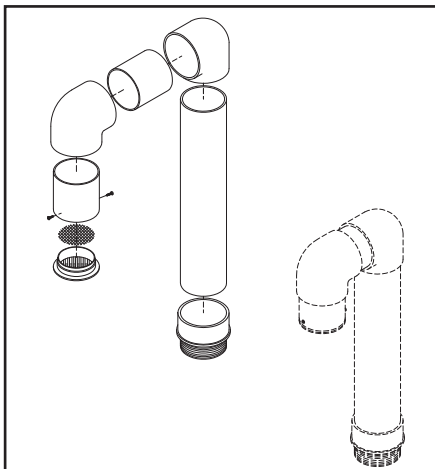
**PIPE SEAL HUB**



**CAST IRON INLET HUB**



Mushroom Vents			
p/n	Size	Material	Screen Area
10-1461	2"	Green Metal	6.9 sq. in.
10-1462	3"	Green Metal	19.6 sq. in.
10-1463	4"	Green Metal	35.8 sq. in.
10-1464	6"	Green Metal	42.5 sq. in.



Bug Vent	
p/n	Size
156253	3"
152442	4"



**MAIL TO:** P.O. BOX 16347 • Louisville, KY 40256-0347  
**SHIP TO:** 3649 Cane Run Road • Louisville, KY 40211-1961  
 (502) 778-2731 • 1 (800) 928-PUMP • **FAX** (502) 774-3624

**visit our web site:**  
[zoellerengineered.com](http://zoellerengineered.com)

Trusted. Tested. Tough.®