

Trusted. Tested. Tough.®

Product information presented here reflects conditions at time of publication. Consult factory regarding discrepancies or inconsistencies.



SECTION: Z1.20.100

ZM3067

0622

Supersedes

0721

MAIL TO: P.O. BOX 16347 • Louisville, KY 40256-0347
 SHIP TO: 3649 Cane Run Road • Louisville, KY 40211-1961
 (502) 778-2731 • 1 (800) 928-PUMP • FAX (502) 774-3624

Visit our website:
 zoellerengineered.com

6267 COMMERCIAL SEWAGE PUMPS TECHNICAL DATA



Tested to UL
 Standard UL778. Certified
 to CSA
 Standard C22.2 No. 108.



MODEL NUMBER:	<input type="checkbox"/> 6267
PUMP NAME PLATE HORSEPOWER:	1/2 HP
SOLID SIZE:	2" (51mm)
MINIMUM HEAD:	5.0' (1.5m)
MAXIMUM HEAD:	20.5' (6.2m)
MAX.FLOW GPM (L/min) @ MIN. HEAD ft. (m)	115 GPM @ 5' (435 L/min @ 1.5m)
DISCHARGE SIZE:	VERTICAL 2" NPT THREAD

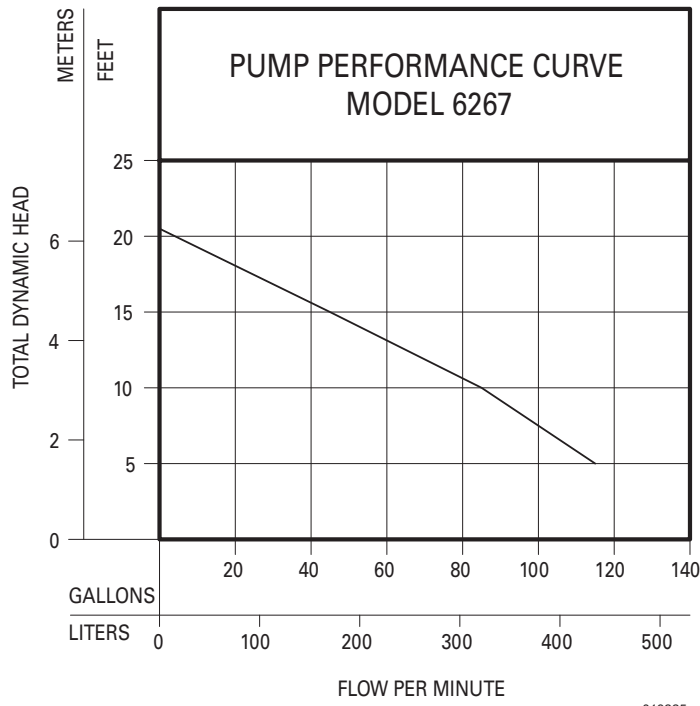
PUMP NET WEIGHT: lbs (kg)	47.5lbs (22 kg)	MOTOR TYPE:	SUBMERSIBLE
SERVICE FACTOR:	1.0	TYPE SOW POWER CORD LENGTH: ft (m)	15' (4.57m) <input type="checkbox"/> _____'
MOTOR DESIGN LETTER:	NEMA B	MOTOR SHAFT:	AISI 1215 S.S.
IMPELLER TYPE 1 PHASE 3 PHASE	PLASTIC VORTEX CAST IRON VORTEX	STATOR INSULATION:	CLASS B
O-RINGS AND COVER GASKET:	VITON	LEAD WIRES INSULATION:	CLASS B
RPM:	1750	MAXIMUM STATOR TEMPERATURE:	266 °F (130 °C)

SHAFT SEAL CONSTRUCTION:	SILICON CARBIDE (ROTARY)/CARBON (STATIONARY)
MOTOR THERMAL SHUTOFF: STANDARD (Single Phase Only)	THERMAL OVERLOAD SWITCH WITH AUTOMATIC RESET
MINIMUM RECOMMENDED FLUID LEVEL:	7" (0.18m)
MAXIMUM WATER TEMPERATURE:	130 °F (54 °C)

ELECTRICAL DATA

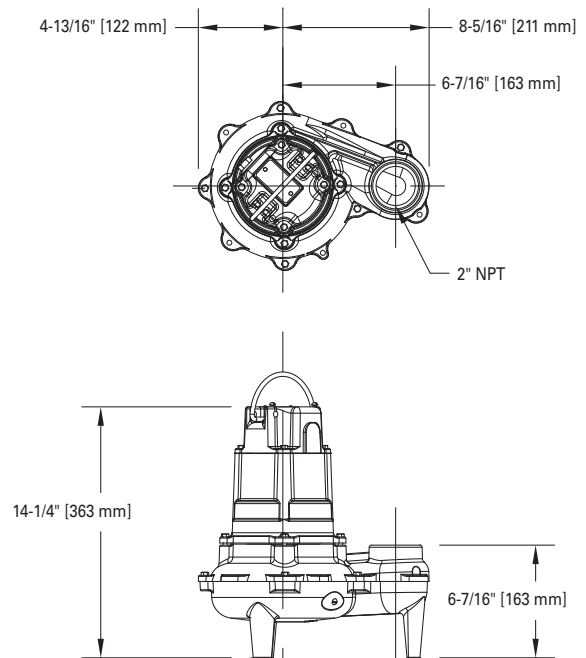
MODEL	HP	<input type="checkbox"/> 115V/1Ph		<input type="checkbox"/> 200V/1Ph		<input type="checkbox"/> 230V/1Ph		<input type="checkbox"/> 200V/3Ph		<input type="checkbox"/> 230V/3Ph		<input type="checkbox"/> 460V/3Ph	
		FLA	LRA	FLA	LRA	FLA	LRA	FLA	LRA	FLA	LRA	FLA	LRA
6267	1/2	9.4	25.0	6.2	21.0	4.7	12.5	3.6	8.3	3.3	7.0	2.0	5.1

Refer to reverse side for Head/Capacity Performance Curves



TOTAL DYNAMIC HEAD/FLOW PER MINUTE SEWAGE AND DEWATERING

MODEL		6267	
Feet	Meters	Gal.	Liters
5	1.5	115	435
10	3.0	85	322
15	4.6	45	170
Shut-off Head:		20.5 ft. (6.2m)	



Standard all models - 25 ft. cord - 1/2 HP				
6267 MODELS	Control Selection			Listings
	Volts	PH	Amps	cCSAus
* N6267	115	1	9.4	Yes
* E6267	230	1	4.7	Yes
I6267	200	1	6.2	Yes
J6267	200	3	3.6	Yes
F6267	230	3	3.3	Yes
G6267	460	3	2.0	Yes

* Molded Plug

FEATURES

SK1020

- Durable cast construction, ASTM class 25 cast iron, switch case, and pump housing
- Non-clogging vortex impeller design
- Engineered plastic impeller with metal insert available with cast iron impeller option (cast iron impeller standard on 3 PH models.)
- Stainless steel screws, bolts, handle, and arm and seal assembly
- UL listed 3-wire neoprene cord and plug, 15 ft. cord
- Square ring & gasket - viton
- Motor - 1/2 HP 60 Hz, 1725 RPM, oil-filled, hermetically sealed, single phase models equipped with automatic reset thermal overload protections
- Oil-lubricated sleeve bearings
- Silicon carbide/ carbon shaft seal
- Passes 2" spherical solids
- 2" NPT discharge
- Corrosion-resistant powder coated epoxy finish

CAUTION

All installation of controls, protection devices and wiring should be done by a qualified licensed electrician. All electrical and safety codes should be followed including the most recent National Electric Code (NEC) and the Occupational Safety and Health Act (OSHA).