

Trusted. Tested. Tough.®

Product information presented here reflects conditions at time of publication. Consult factory regarding discrepancies or inconsistencies.



SECTION: Z3.30.200

ZM3318

0322

Supersedes

New

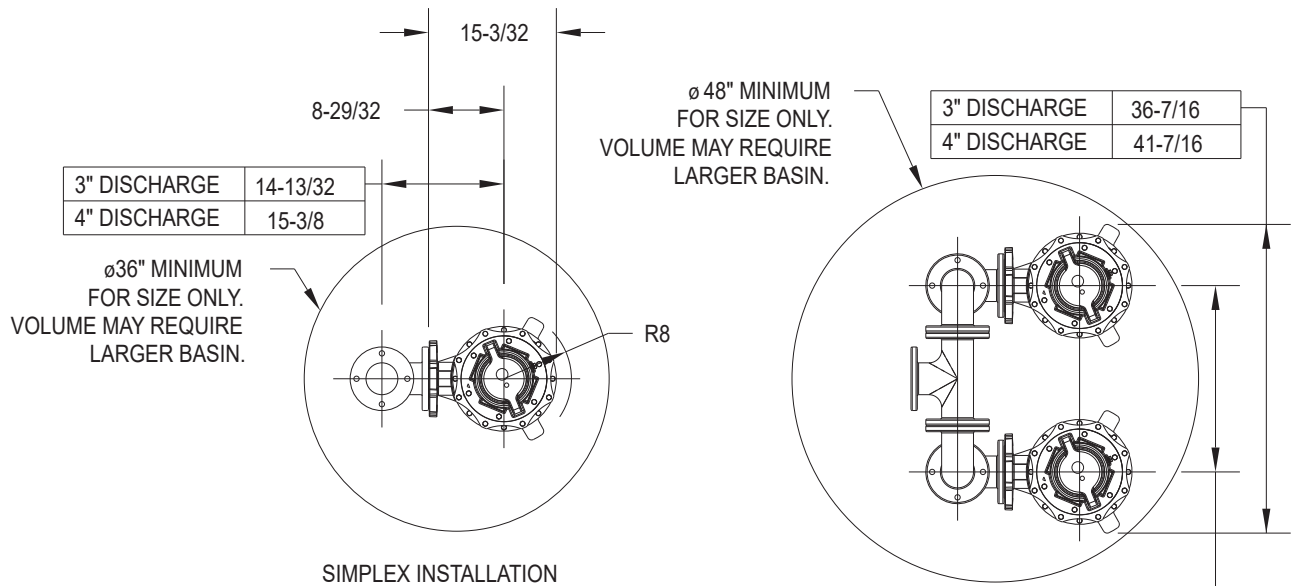
MAIL TO: P.O. BOX 16347 • Louisville, KY 40256-0347  
 SHIP TO: 3649 Cane Run Road • Louisville, KY 40211-1961  
 (502) 778-2731 • 1 (800) 928-PUMP • FAX (502) 774-3624

Visit our website:  
 zoellerengineered.com



## 72 HD SERIES GRINDER PUMP DIMENSIONAL DATA

3" Flanged Horizontal Discharge Units  
 10 & 15 HP - 3450 RPM  
 Floor Mounted

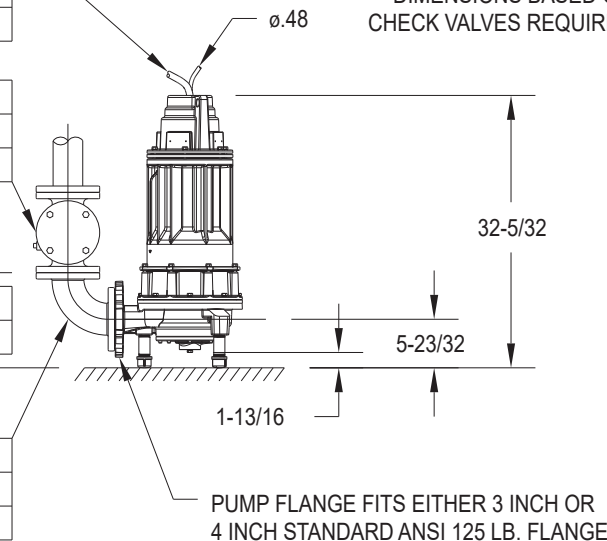


4 AWG	ø1.35
8 AWG	ø.975
12 AWG	ø.675

SIZE	CHECK VALVE P/N
3"	6030-0202
4"	6030-0203

3" DISCHARGE	11-7/32
4" DISCHARGE	12-7/32

SIZE	ELBOW P/N
3"	6030-0201
4"	6030-0194



3" DISCHARGE	22
4" DISCHARGE	27

\*All dimensions in inches unless otherwise noted.

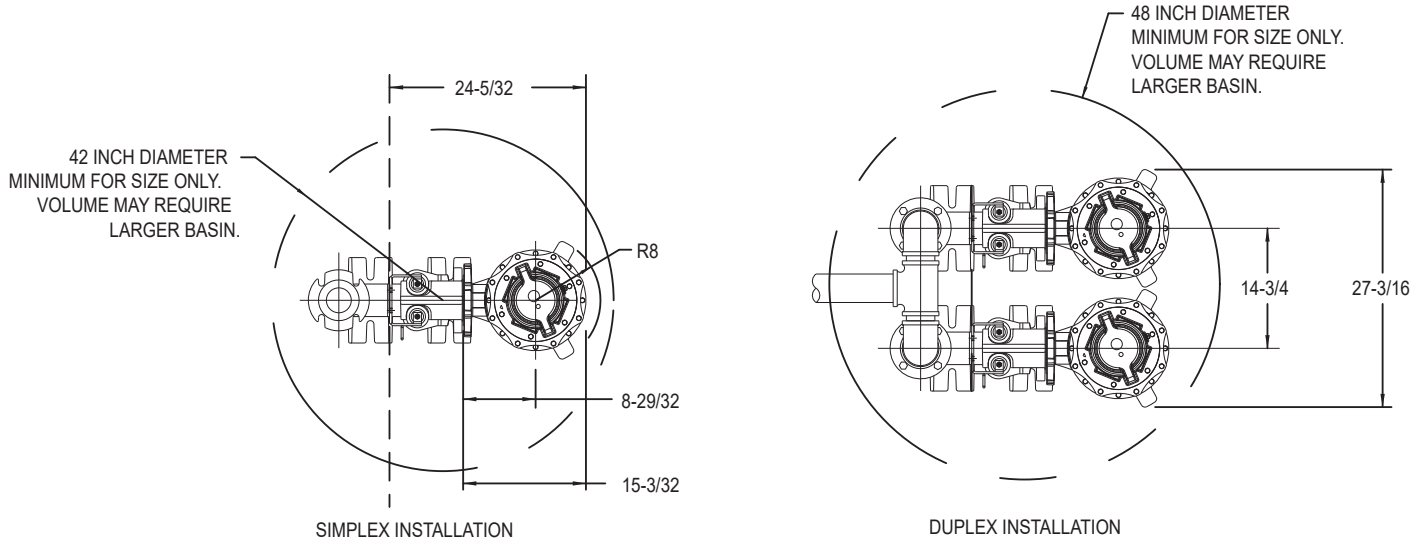
# 72 HD SERIES GRINDER PUMP

## DIMENSIONAL DATA

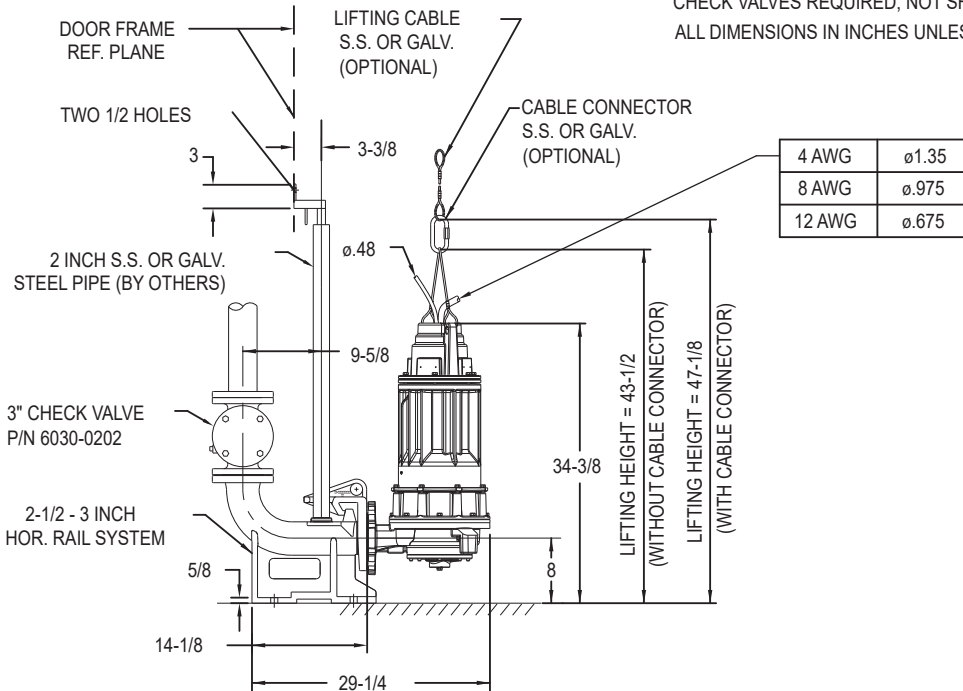
### 3" Flanged Horizontal Discharge Units

### 10 & 15 HP - 3450 RPM

### Part Number 39-0094 Rail Mounted



DIMENSIONS BASED ON STANDARD ANSI FITTING SIZES  
CHECK VALVES REQUIRED, NOT SHOWN FOR CLARITY  
ALL DIMENSIONS IN INCHES UNLESS OTHERWISE NOTED



THE INFORMATION ON THESE DRAWINGS OR WEB PAGES IS MADE AVAILABLE FOR YOUR USE. HOWEVER, YOU USE THIS INFORMATION AT YOUR OWN RISK. WE BELIEVE THE INFORMATION TO BE CORRECT AND ACCURATE AT THE TIME OF ISSUE. ZOELLER COMPANY ASSUMES NO LIABILITY, EXPRESSED OR IMPLIED, RESULTING IN YOUR ACCESSING AND USING THIS INFORMATION. DUE TO CHANGES AND/OR DOWNLOAD PROBLEMS, IT IS YOUR RESPONSIBILITY AND YOU AGREE TO BE SOLELY RESPONSIBLE TO VERIFY THAT THE INFORMATION IS CORRECT AND ACCURATE FOR YOUR PURPOSES.

SK3328