

Trusted. Tested. Tough.™

Product information presented here reflects conditions at time of publication. Consult factory regarding discrepancies or inconsistencies.



SECTION-Z3.40.150

ZM2533

1017

Supersedes

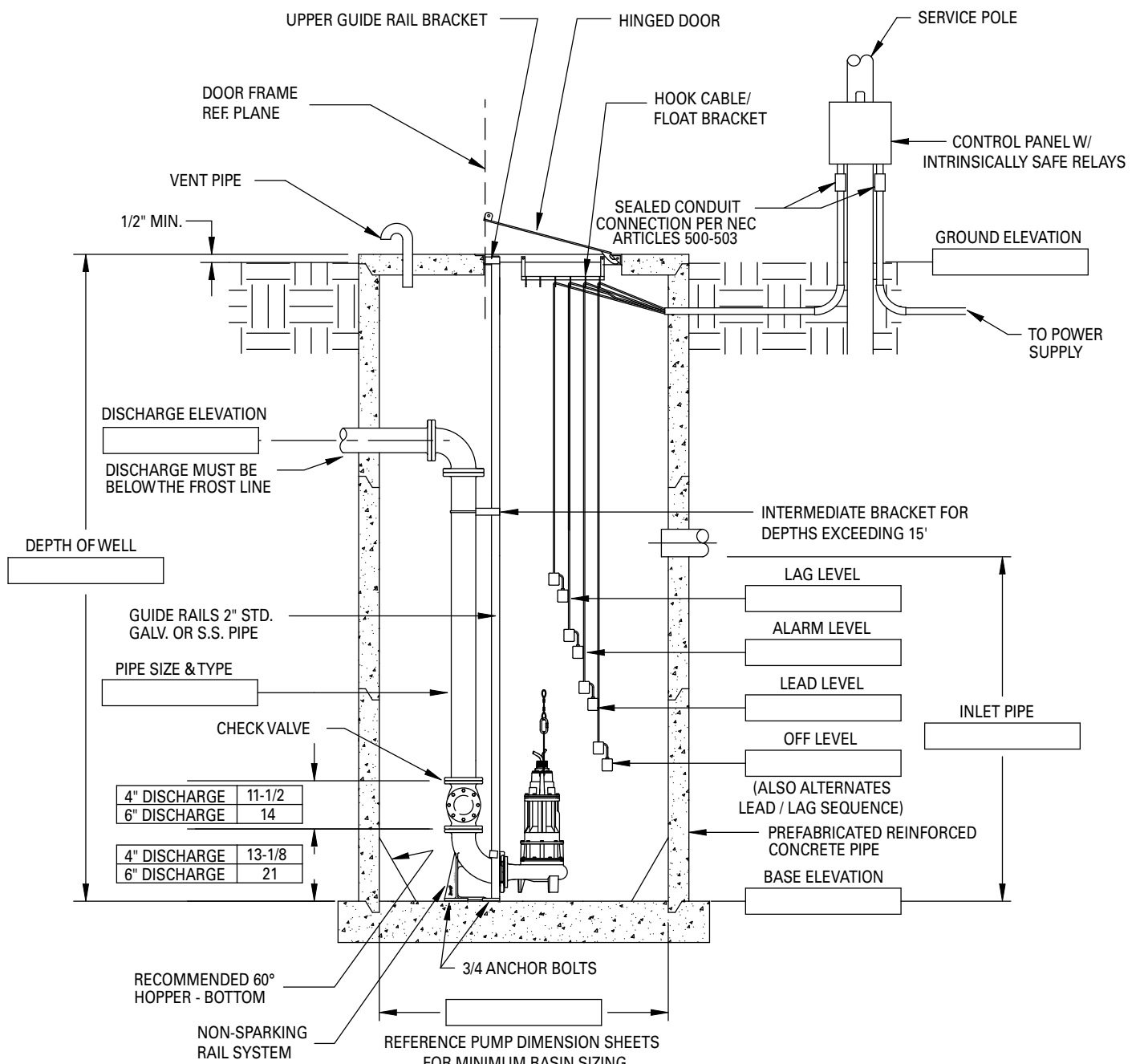
0708

**MAIL TO:** P.O. BOX 16347 • Louisville, KY 40256-0347  
**SHIP TO:** 3649 Cane Run Road • Louisville, KY 40211-1961  
 (502) 778-2731 • 1 (800) 928-PUMP • **FAX:** (502) 774-3624

**visit our web site:**  
**zoellerengineered.com**



**X62 HD HAZARDOUS LOCATION SERIES**  
 CLASS I, DIVISION 1, GROUPS C & D  
 LIFT STATION DIMENSIONAL DATA  
 5 - 20 BHP  
 Models: X6220 - X6224

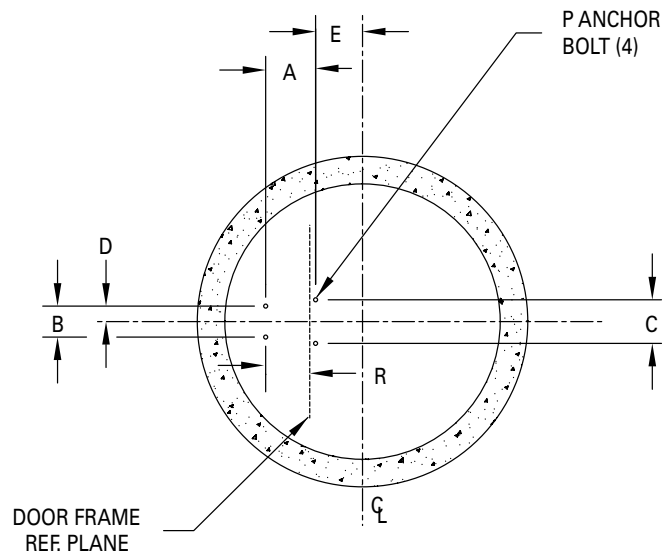
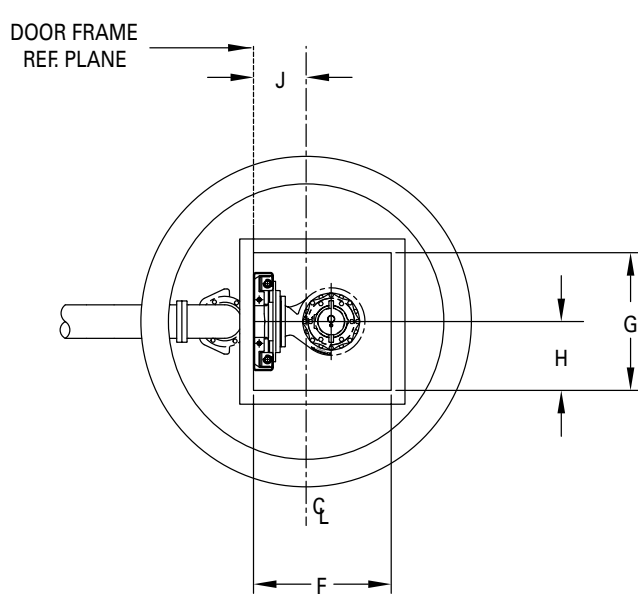


# X62 HD HAZARDOUS LOCATION SERIES

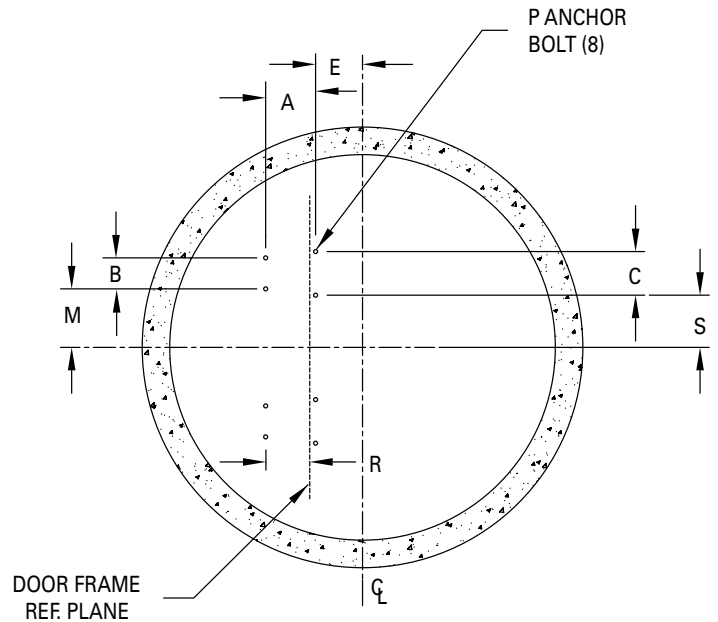
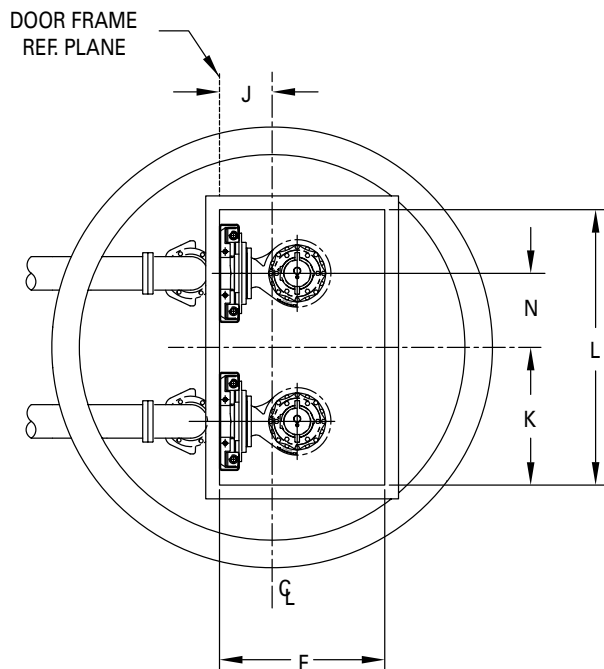
CLASS I, DIVISION 1, GROUPS C & D  
LIFT STATION DIMENSIONAL DATA

5 - 20 BHP

Models: X6220 - X6224



SIMPLEX DIMENSIONAL CHART											
NOM. SIZE	A	B	C	D	E	F	G	H	J	P	R
4" DISCHARGE	7-1/2	6	8-3/4	3	8	30	30	15	11-1/2	3/4	4
6" DISCHARGE	10-7/8	6-3/4	9-1/2	3-3/8	10-1/4	30	30	15	11-1/2	3/4	9-5/8



DUPLEX DIMENSIONAL CHART													
NOM. SIZE	A	B	C	E	F	J	K	L	M	N	P	R	S
4" DISCHARGE	7-1/2	6	8-3/4	8	30	11-1/2	24	48	10-1/8	13-1/8	3/4	4	8-3/4
6" DISCHARGE	10-7/8	6-3/4	9-1/2	10-1/4	36	11-1/2	30	60	12-3/4	16-1/8	3/4	9-5/8	11-3/8