

Trusted. Tested. Tough.™

SECTION:Z3.40.140

ZM2532

1017

Supersedes

0712

Product information presented here reflects conditions at time of publication. Consult factory regarding discrepancies or inconsistencies.



MAIL TO: P.O. BOX 16347 • Louisville, KY 40256-0347
SHIP TO: 3649 Cane Run Road • Louisville, KY 40211-1961
 (502) 778-2731 • 1 (800) 928-PUMP • **FAX** (502) 774-3624

visit our web site:
zoellerengineered.com



X62 HD HAZARDOUS LOCATION SERIES

CLASS I, DIVISION 1, GROUPS C & D

DIMENSIONAL DATA

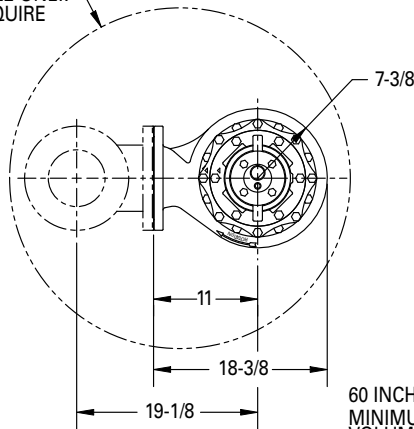
6" Flanged Discharge Units

Floor Mounted

Models: X6220 - X6224

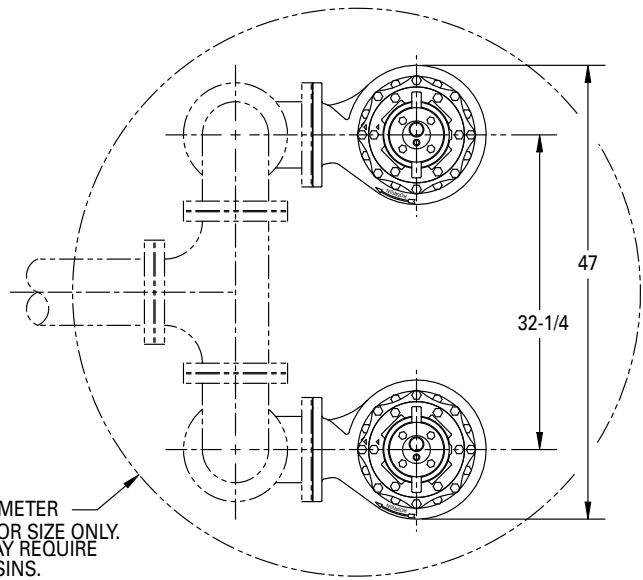


36 INCH DIAMETER
 MINIMUM FOR SIZE ONLY.
 VOLUME MAY REQUIRE
 LARGER BASINS.



SIMPLEX INSTALLATION

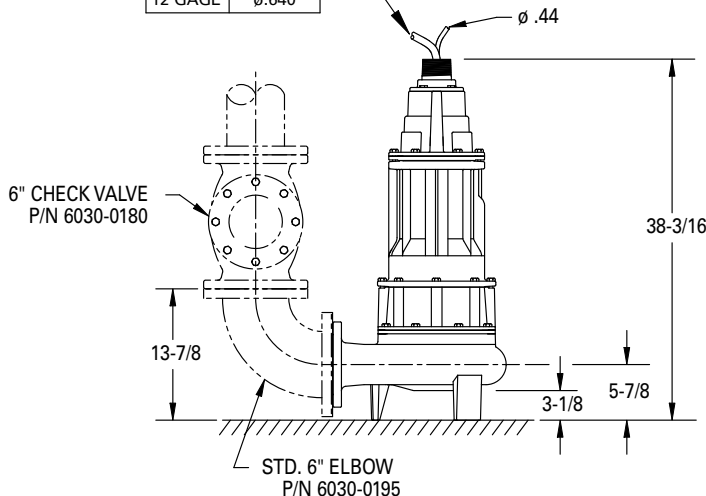
60 INCH DIAMETER
 MINIMUM FOR SIZE ONLY.
 VOLUME MAY REQUIRE
 LARGER BASINS.



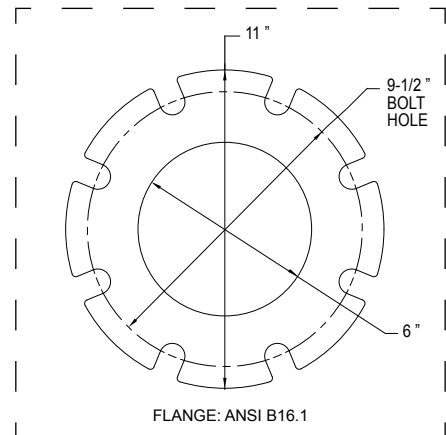
DUPLEX INSTALLATION

DIMENSIONS BASED ON STD. ANSI FITTING SIZES
 CHECK VALVES REQUIRED, NOT SHOWN FOR CLARITY

4 GAGE	ø1.350
8 GAGE	ø.930
12 GAGE	ø.640



ZEPA0622



Note: All dimensions in inches unless otherwise noted.

See Reverse Side for "Rail Mounted"

© Copyright 2017 Zoeller® Co. All rights reserved.

X62 HD HAZARDOUS LOCATION SERIES

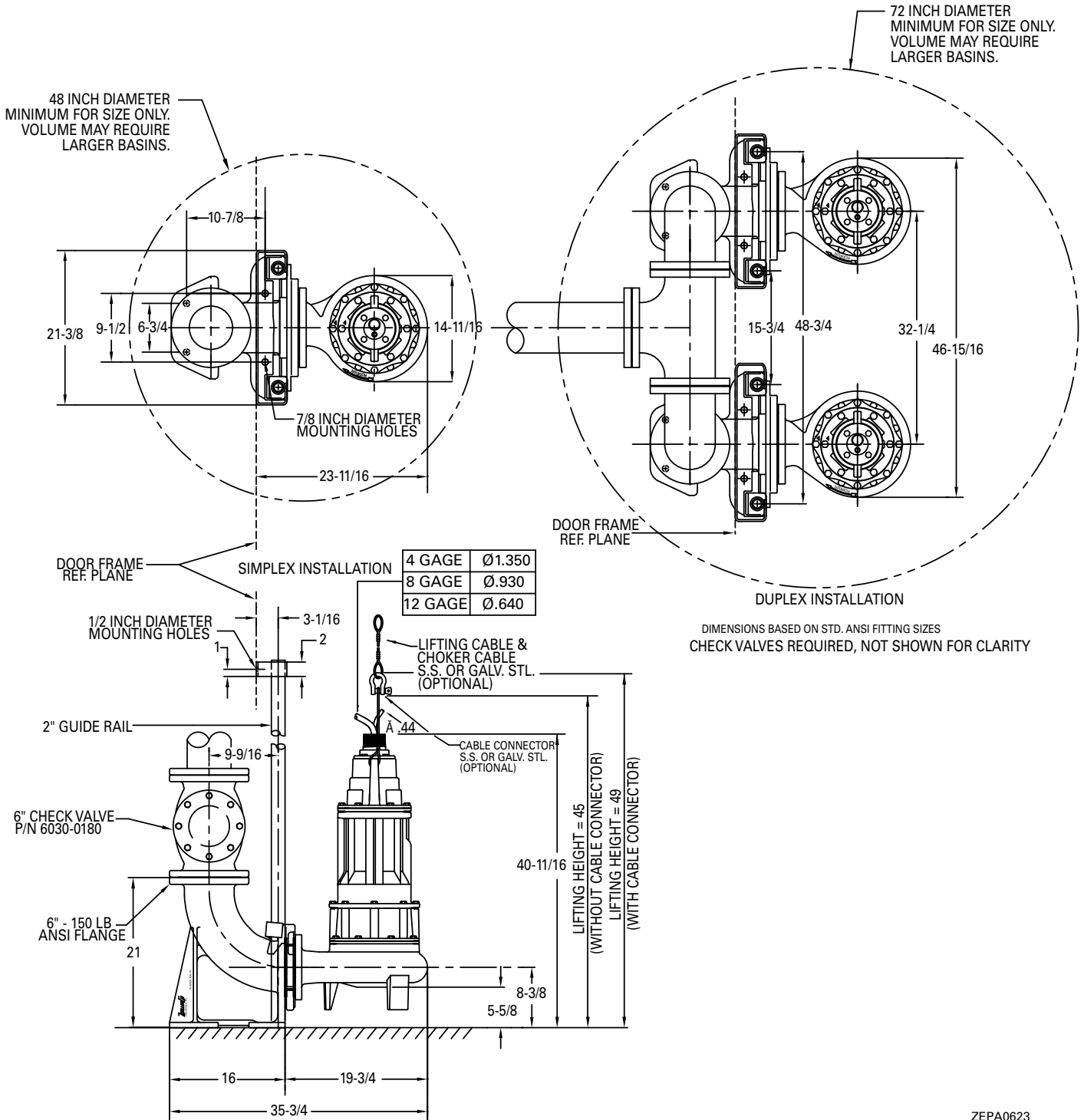
CLASS I, DIVISION 1, GROUPS C & D

DIMENSIONAL DATA

6" Flanged Discharge Units

P/N 6039-0073 Rail Mounted

Models: X6220 - X6224



ZEPA0623

NOTE: All dimensions in inches unless otherwise noted.

See Reverse Side for "Floor Mounted"