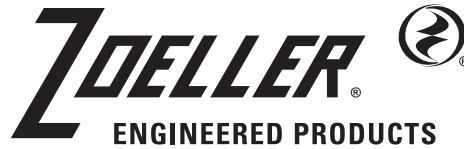


Trusted. Tested. Tough.®

Product information presented here reflects conditions at time of publication. Consult factory regarding discrepancies or inconsistencies.



SECTION: Z4.10.240

ZM2424

0821

Supersedes

0121

MAIL TO: P.O. BOX 16347 • Louisville, KY 40256-0347  
 SHIP TO: 3649 Cane Run Road • Louisville, KY 40211-1961  
 (502) 778-2731 • 1 (800) 928-PUMP • FAX (502) 774-3624

Visit our website:  
 zoellerengineered.com



## MODELS 7020-7021

### TECHNICAL DATA

### 1.0 & 2.0 HP



<b>MODELS:</b>	<input type="checkbox"/> 7020	<input type="checkbox"/> 7021
<b>PUMP NAME PLATE HORSEPOWER:</b>	1.0	2.0
<b>SERVICE FACTOR:</b>	1.2	1.2
<b>MAXIMUM KW INPUT:</b>	1.5 (230 V)	2.0 (200 V), 2.1 (230 V)
<b>DISCHARGE SIZE:</b>	1.25" NPT	1.25" NPT

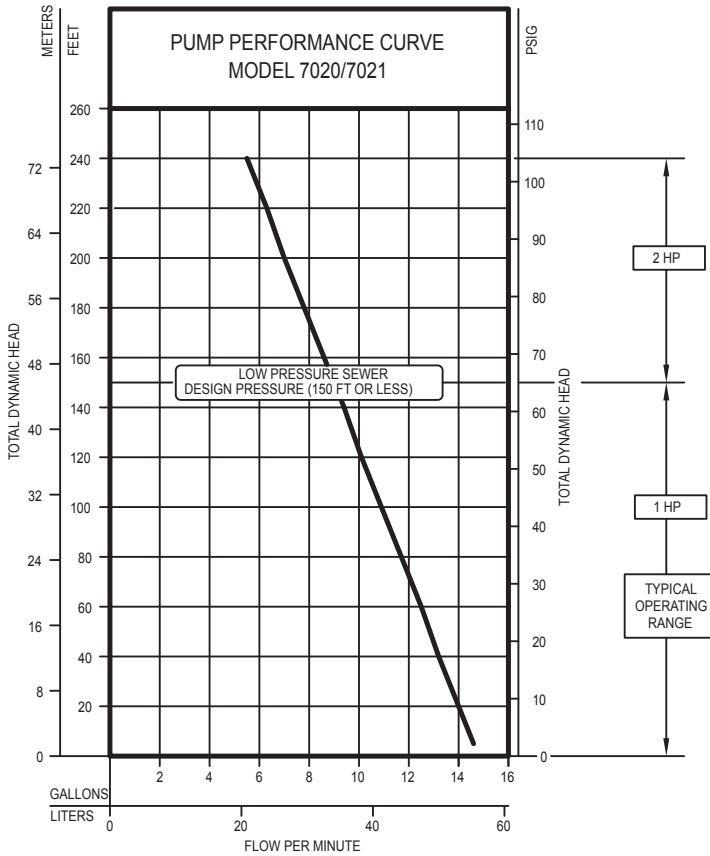
<b>IMPELLER TYPE:</b>	HYDRAULIC HELIX ROTOR	<b>MECHANICAL SHAFT SEAL:</b>	TYPE 6A
<b>CUTTER &amp; PLATE:</b>	440C SS HARDENED TO ROCKWELL C55-60	<b>MOTOR DESIGN LETTER:</b>	NEMA L (1Ph)
<b>PUMP NET WEIGHT:</b>	88 IBS. (39.9 KG)	<b>POWER CORD LENGTH: ft (m)</b> (20' STANDARD) <b>OPTIONAL:</b>	<input type="checkbox"/> 25' <input type="checkbox"/> 35' <input type="checkbox"/> 50' (7.6 m)    (10.7 m)    (15.2 m)
<b>O-RING &amp; GASKET:</b>	VITON		
<b>MOTOR SHAFT:</b>	416 SS	<b>POWER CORD:</b>	16 GAUGE SOOW
<b>RPM:</b>	1750	<b>STATOR &amp; LEAD WIRES INSULATION:</b>	CLASS B
<b>MOTOR TYPE:</b>	SUBMERSIBLE	<b>MAXIMUM STATOR TEMPERATURE:</b>	266 °F (130 °C)

<b>SHAFT SEAL CONSTRUCTION:</b>	<b>STANDARD</b>	SILICON CARBIDE/CARBON
<b>MOTOR PROTECTION</b>		INTEGRAL OVERLOAD
<b>MAXIMUM WATER TEMPERATURE:</b>		130 °F (54 °C)

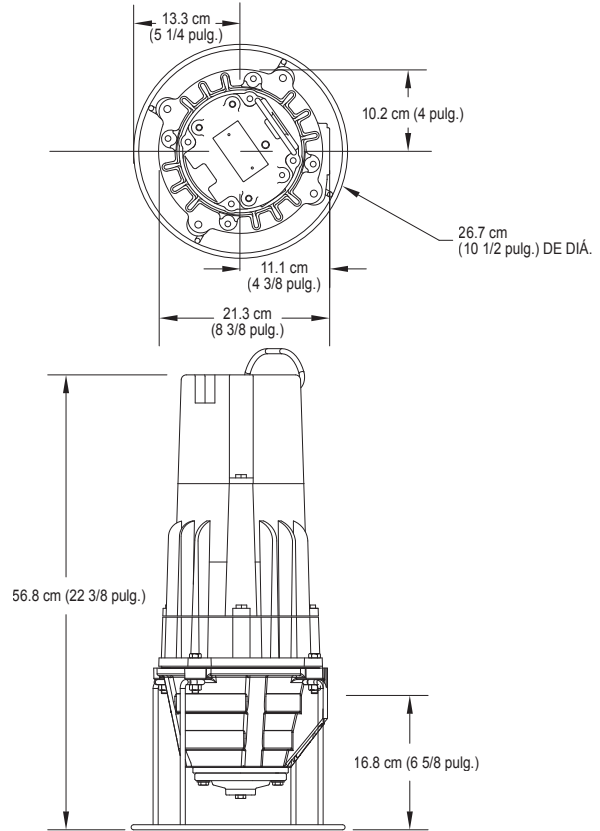
MODEL	HP	SERVICE FACTOR	□ 200V / 1 PH		□ 230V / 1 PH	
			FLA	LRA	FLA	LRA
7020	1	1.2	N/A	N/A	7.0	24.5
7021	2	1.2	12.0	49.5	10.0	44.0

Zoeller® Engineered Products • 3649 Cane Run Road • Louisville, Kentucky 40211-1961 • (502) 778-2731

SWPA Data Categories Presented -- Data on this sheet supply design information as the minimum recommended by the Submersible Wastewater Pump Association and is defined in accordance with SWPA's Standardized Definitions for Pump and Motor Characteristics. The accuracy of the data is the responsibility of Zoeller Engineered Products.



018330



SK2533

Standard all models- 20 Ft. - 1 HP				
7020 models	Control Selection			Listed cCSAus
	Volts	Ph	Amps	
*E7020	230	1	7.0	Yes
RWD7020	230	1	7.0	Yes

Standard all models- 20 Ft. - 2 HP				
7021 models	Control Selection			Listed cCSAus
	Volts	Ph	Amps	
*E7021	230	1	10.5	Yes
RWD7021	230	1	10.5	Yes
I7021	200	1	12.0	Yes
RWH7021	200	1	12.0	Yes

\* Molded plug.

## FEATURES

- Durable epoxy coated cast iron construction
- Bearings - upper and lower ball bearing
- Stainless steel motor shaft
- Motor - 1 HP (7020) or 2 HP (7021), 60 Hz, 1750 RPM, 1 PH, oil-filled, hermetically sealed, automatic reset thermal overload protected
- Silicon carbide/carbon shaft seal
- Viton O-ring seals and cover gasket
- UL Listed 20 ft. 3-wire SOW cord with 15 amp plug. Longer cords available in 25', 35' & 50'.
- Hardened 440C stainless steel cutter and disc, Rockwell C55-60
- Stainless steel helix hydraulic pump rotor with integral upper deflection shield
- Buna N hydraulic rotor
- Pressure relief valve
- 304 SS hardware
- SS mounting stand for free standing installation
- 100% computerized tested