

Trusted. Tested. Tough.®

Product information presented here reflects conditions at time of publication. Consult factory regarding discrepancies or inconsistencies.



SECTION: Z3.10.100

ZM2392

1221

Supersedes

1021

MAIL TO: P.O. BOX 16347 • Louisville, KY 40256-0347
 SHIP TO: 3649 Cane Run Road • Louisville, KY 40211-1961
 (502) 778-2731 • 1 (800) 928-PUMP • FAX (502) 774-3624

Visit our website:
 zoellerengineered.com



MODELS 7008-7009-7010

TECHNICAL DATA

1.0, 1.5 & 2.0 HP

MODELS:	<input type="checkbox"/> 7008	<input type="checkbox"/> 7009	<input type="checkbox"/> 7010
PUMP NAME PLATE HORSEPOWER:	1.0	1.5	2.0
SERVICE FACTOR:	1.2	1.2	1.2
MAXIMUM KW INPUT:	2.1	2.3	3.4
STANDARD IMPELLER DIAMETER:	4.25"	5.125"	5.825"
DISCHARGE SIZE:	1.25" NPT	1.25" NPT	1.25" NPT

IMPELLER TYPE:	VORTEX, ENGINEERED PLASTIC	MECHANICAL SHAFT SEAL:	TYPE 6A
CUTTER & PLATE:	440C SS HARDENED TO ROCKWELL C55-60	MOTOR DESIGN LETTER:	NEMA B (3 Ph) NEMA L (1Ph)
PUMP NET WEIGHT:	88 lbs. (39.9 kg)	POWER CORD LENGTH: ft (m) (20' STANDARD) OPTIONAL:	<input type="checkbox"/> 25' <input type="checkbox"/> 35' <input type="checkbox"/> 50' (7.6 m) (10.7 m) (15.2 m)
O-RING & GASKET:	VITON		
MOTOR SHAFT:	416 SS	POWER CORD:	14 GAUGE SOOW
RPM:	3450	STATOR & LEAD WIRES INSULATION:	CLASS B
MOTOR TYPE:	SUBMERSIBLE	MAXIMUM STATOR TEMPERATURE:	266 °F (130 °C)

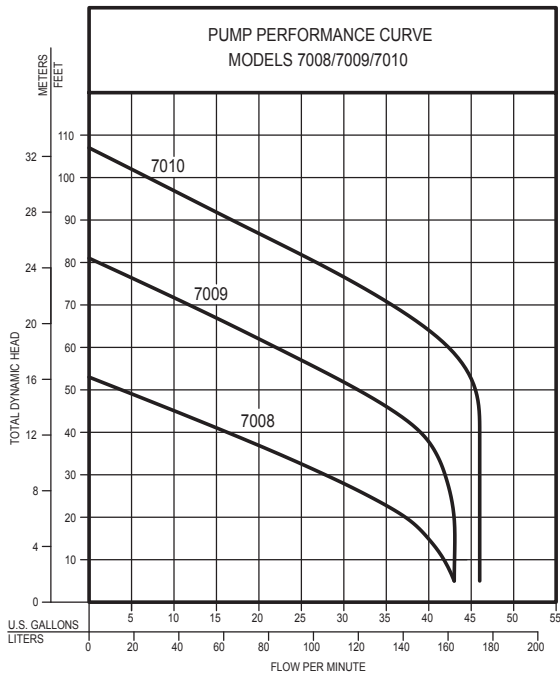
SHAFT SEAL CONSTRUCTION:	STANDARD	SILICON CARBIDE/CARBON
	OPTIONAL	<input type="checkbox"/> SILICON CARBIDE/SILICON CARBIDE
MOTOR PROTECTION	INTEGRAL OVERLOAD (1 PH); CONTROL PANEL (3 PH)	
IMPELLER MATERIAL	STANDARD ENGINEERED PLASTIC <input type="checkbox"/> OPTIONAL BRONZE	
MAXIMUM WATER TEMPERATURE:	130 °F (54 °C)	

MODEL	HP	SERVICE FACTOR	<input type="checkbox"/> 115V / 1 PH		<input type="checkbox"/> 200V / 1 PH		<input type="checkbox"/> 230V / 1 PH		<input type="checkbox"/> 200V / 3 PH		<input type="checkbox"/> 230V / 3 PH		<input type="checkbox"/> 460V / 3 PH		<input type="checkbox"/> 575V / 3 PH	
			FLA	LRA	FLA	LRA	FLA	LRA	FLA	LRA	FLA	LRA	FLA	LRA	FLA	LRA
7008	1.0	1.2	13.6	46.0	7.7	27.7	6.5	30.0	7.5	47.4	6.9	44.4	3.7	21.6	2.7	17.5
7009	1.5	1.2	--	--	12.0	61.6	10.8	57.0	9.2	47.4	8.2	44.4	4.2	21.6	3.2	17.5
7010	2.0	1.2	--	--	15.5	61.6	13.7	57.0	11.0	47.4	9.9	44.4	5.0	21.6	3.9	17.5

Zoeller® Engineered Products • 3649 Cane Run Road • Louisville, Kentucky 40211-1961 • (502) 778-2731

SWPA Data Categories Presented -- Data on this sheet supply design information as the minimum recommended by the Submersible Wastewater Pump Association and is defined in accordance with SWPA's Standardized Definitions for Pump and Motor Characteristics. The accuracy of the data is the responsibility of Zoeller Engineered Products.

© Copyright 2021 Zoeller® Co. All rights reserved.



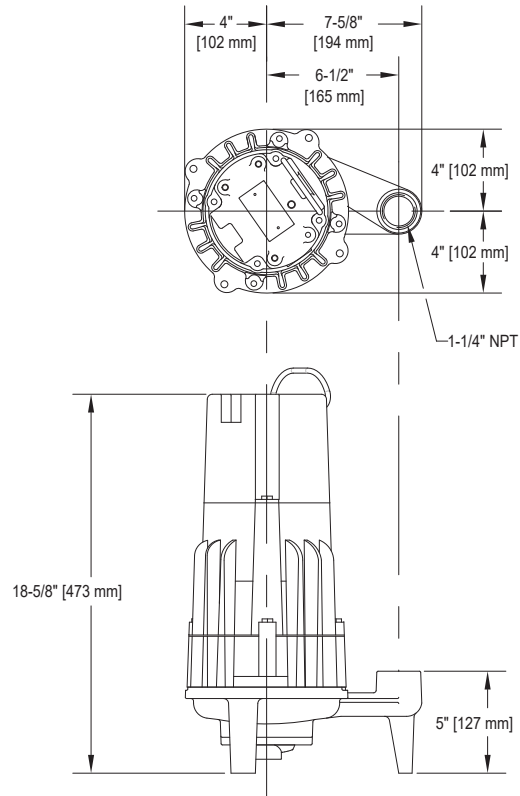
**TOTAL DYNAMIC HEAD/FLOW
PER MINUTE
SEWAGE AND DEWATERING**

MODEL		7008		7009		7010	
Feet	Meters	Gal.	Liters	Gal.	Liters	Gal.	Liters
5	1.5	43	163	43	163	46	174
10	3.0	42	159	43	163	46	174
15	4.6	40	151	43	163	46	174
20	6.1	37	140	43	163	46	174
25	7.6	33	125	43	163	46	174
30	9.1	28	106	42	159	46	174
35	10.7	22	83	41	155	46	174
40	12.2	16.5	62	39	148	46	174
50	15.2	-	-	32	121	46	174
60	18.3	-	-	22	83	43	163
70	21.3	-	-	12	45	36	136
80	24.4	-	-	-	-	27	102
90	27.4	-	-	-	-	16.7	63
100	30.5	-	-	-	-	7	26
Shut-off Head:		53 ft. (16.2m)		81 ft. (24.7m)		107 ft. (32.6m)	

Standad all models - 20 ft. cord - 1 HP				
7008 Models	Control Section			Listed
	Volts	Ph	Amps	cCSAus
WM7008	115	1	13.6	Yes
N7008	115	1	13.6	Yes
WH7008	200	1	7.7	Yes
I7008	200	1	7.7	Yes
WD7008	230	1	6.5	Yes
E7008	230	1	6.5	Yes
F7008	230	3	6.9	Yes
J7008	200	3	7.5	Yes
G7008	460	3	3.7	Yes
BA7008	575	3	2.7	Yes

Standad all models - 20 ft. cord - 1.5 HP				
7009 Models	Control Section			Listed
	Volts	Ph	Amps	cCSAus
WH7009	200	1	12.0	Yes
I7009	200	1	12.0	Yes
WD7009	230	1	10.8	Yes
WD7009	230	1	10.8	Yes
F7009	230	3	8.2	Yes
J7009	200	3	9.2	Yes
G7009	460	3	4.2	Yes
BA7009	575	3	3.2	Yes

Standad all models - 20 ft. cord - 2 HP				
7010 Models	Control Section			Listed
	Volts	Ph	Amps	cCSAus
WH7010	200	1	15.5	Yes
I7010	200	1	15.5	Yes
WD7010	230	1	13.7	Yes
E7010	230	1	13.7	Yes
F7010	230	3	9.9	Yes
J7010	200	3	11.0	Yes
G7010	460	3	5.0	Yes
BA7010	575	3	3.9	Yes



SK1621

FEATURES

- Durable epoxy coated cast iron construction
- Bearings - upper and lower ball bearing
- Stainless steel motor shaft
- Motor - 1 -2 HP, 60 Hz, 1750 RPM, 1 PH, oil-filled, hermetically sealed, automatic reset thermal overload protected
- Silicon carbide/carbon shaft seal.
- Viton O-ring seals and cover gasket
- Impeller - non-clogging engineered plastic vortex impeller with metal insert
- 20 for UL listed 3-wire SOOW cord. Longer cords available in 25', 35' & 50'.
- Hardened 440C stainless steel cutter and disc, Rockwell C55-60
- 304 SS hardware
- 1.25" NPT discharge
- 100% computerized tested