

Trusted. Tested. Tough.®

SECTION: Z3.20.110

ZM1794

0921

Supersedes

1220

Product information presented here reflects conditions at time of publication. Consult factory regarding discrepancies or inconsistencies.



MAIL TO: P.O. BOX 16347 • Louisville, KY 40256-0347
 SHIP TO: 3649 Cane Run Road • Louisville, KY 40211-1961
 (502) 778-2731 • 1 (800) 928-PUMP • FAX (502) 774-3624

Visit our website:
 zoellerengineered.com

X6280 HAZARDOUS LOCATION SERIES

Class I, Division 1, Groups C & D Rated and Class I, Zone 1, Groups IIA & IIB Gas Areas

or

Class II, Division 1, Groups E, F & G and Zone 20 Dust Areas



Certified to CSA Standard
 C22.2 No. 145

Tested to FM Standard
 3600 & 3615 & 3616

TECHNICAL DATA Commercial Duty Sewage

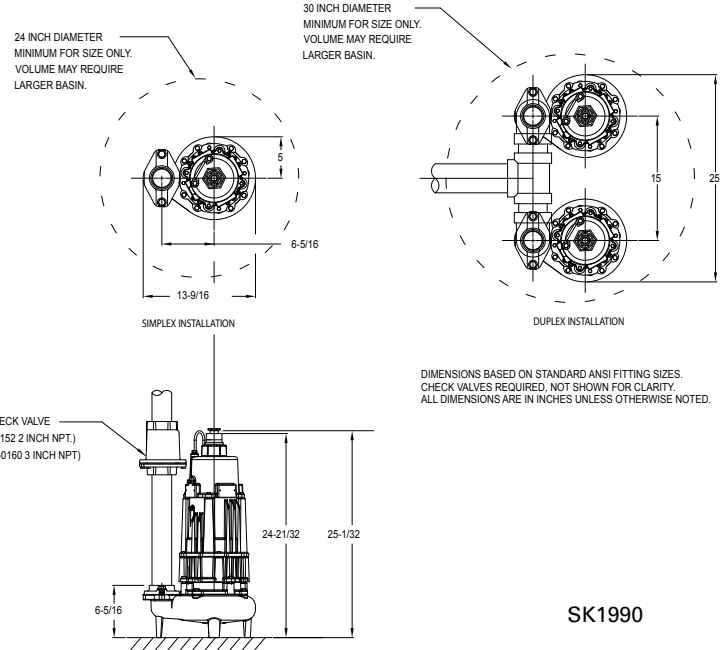
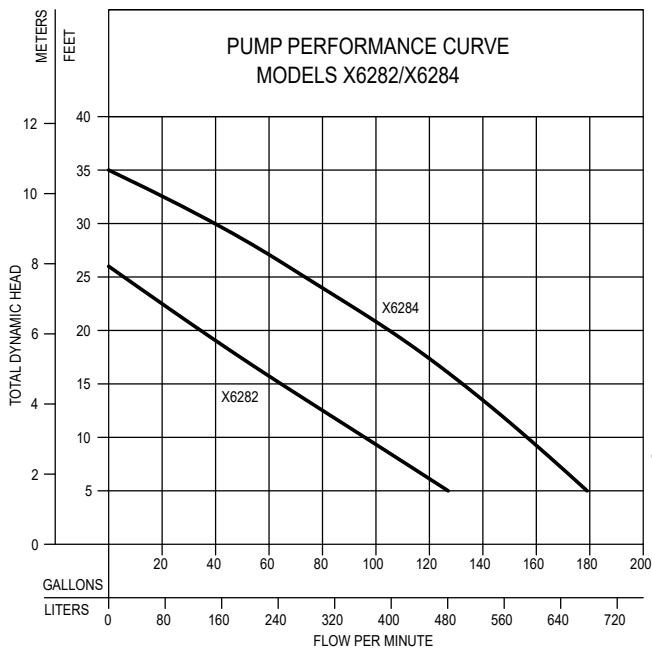
MODEL NUMBER:	<input type="checkbox"/> X6282	<input type="checkbox"/> X6284
PUMP NAME PLATE HORSEPOWER: HP	1/2	1
MOTOR RPM:	1750	1750
IMPELLER:	CAST IRON VORTEX	CAST IRON VORTEX
DISCHARGE SIZE:	<input type="checkbox"/> 2" NPT VERTICAL DISCHARGE <input type="checkbox"/> 3" NPT VERTICAL DISCHARGE	

PUMP NET WEIGHT: lbs. (kg)	129 lbs. (58.5kg)	SERVICE FACTOR:	1.0
SOLID SIZE: in (mm)	2" (50 mm)	TANDEM SEALS:	STANDARD
MOTOR DESIGN LETTER:	NEMA B	SQUARE RING SEALS:	VITON
CORD LENGTH: ft (m)	25' (7.6 m) <input type="checkbox"/> _____'	MOTOR SHAFT:	416 SS
SENSOR CORD LENGTH:	INCLUDED W/POWER CORD	STATOR AND LEAD WIRES INSULATION:	CLASS B
MOTOR TYPE CSA APPROVED:	Class I, Division 1, Groups C & D Class I, Zone 1, Groups IIA & IIB	MAXIMUM STATOR TEMPERATURE:	CLASS B 266 °F (130 °C)
	SUBMERSIBLE		
SURFACE TEMPERATURE CODE:	T5 (1PH) T6 (3PH)		

SHAFT SEAL CONSTRUCTION:	STANDARD	UPPER - CARBON/CERAMIC, LOWER - SILICON CARBIDE/CARBON
	OPTIONAL UPPER	<input type="checkbox"/> CARBON/SILICON CARBIDE <input type="checkbox"/> SILICON CARBIDE/SILICON CARBIDE
	OPTIONAL LOWER	<input type="checkbox"/> SILICON CARBIDE/SILICON CARBIDE
STANDARD SENSING DEVICES *	MOTOR THERMAL SHUTOFF	INTEGRAL OVERLOAD WITH AUTOMATIC RESET - 1 PHASE
		THERMAL SENSOR WITH LEAD WIRES - 3 PHASE
	MOISTURE DETECTION	MOISTURE SENSING PROBES WITH LEAD WIRES
MINIMUM FLUID LEVEL FOR CONTINUOUS OPERATIONS: in (m)	24" (0.6 m)	
MAXIMUM WATER TEMPERATURE:	104 °F (40 °C)	

*Requires a circuit in control panel to function.

MODEL	HP	<input type="checkbox"/> 115V/1PHASE	<input type="checkbox"/> 200V/1PHASE	<input type="checkbox"/> 230V/1PHASE	<input type="checkbox"/> 200V/3PHASE	<input type="checkbox"/> 230V/3PHASE	<input type="checkbox"/> 460V/3PHASE	<input type="checkbox"/> 575V/3PHASE
		FLA	FLA	FLA	FLA	FLA	FLA	FLA
X6282	1/2	10.3	6.1	5.0	3.6	3.0	1.7	1.4
X6284	1	N/A	9.3	8.9	5.5	5.0	2.6	2.2



SK1990

Standard all models - 25 ft. cord - 1/2 HP				
X6282 MODELS	Control Selection			Listings
	Volts	PH	Amps	cCSAus
NX6282	115	1	10.3	Yes
EX6282	230	1	5.0	Yes
IX6282	200	1	6.1	Yes
JX6282	200	3	3.6	Yes
FX6282	230	3	3.0	Yes
GX6282	460	3	1.7	Yes
BAX6282	575	3	1.4	Yes

Standard all models - 25 ft. cord - 1 HP				
X6284 MODELS	Control Selection			Listings
	Volts	PH	Amps	cCSAus
EX6284	230	1	8.9	Yes
IX6284	200	1	9.3	Yes
JX6284	200	3	5.5	Yes
FX6284	230	3	5.0	Yes
GX6284	460	3	2.6	Yes
BAX6284	575	3	2.2	Yes

FEATURES

- Durable epoxy coated cast iron construction.
- Motor - 1/2 hp or 1 hp, 60 hz, 1750 rpm, 1 ph or 3 ph, oil filled, hermetically sealed
- Thermal sensor with lead wire (3PH), integral overload with automatic reset (1 PH)
- Bearings - upper and lower ball bearings
- Stainless steel motor shaft.
- Dual mechanical shaft seals - upper carbon/ceramic, lower silicon carbide/carbon. Optional seal materials available
- Viton o-ring seals and cover gasket
- Impeller - non-clogging cast iron vortex design passes 2" spherical solids.
- 25 Foot ul listed 3 wire neoprene cord and plug. Longer cords available in lengths of 35-50 feet.
- No screens to clog.
- Stainless steel screws, bolts and handle.
- 2" Npt discharge with 3" lange available.
- Corrosion resistant powder coated epoxy inish.
- Moisture sensors available for early warning of seal failure.
- 100% Computerized tested.

CAUTION

All installation of controls, protection devices and wiring should be done by a qualified licensed electrician. All electrical and safety codes should be followed including the most recent National Electric Code (NEC) and the Occupational Safety and Health Act (OSHA).