

Trusted. Tested. Tough.®

Product information presented here reflects conditions at time of publication. Consult factory regarding discrepancies or inconsistencies.



SECTION: Z3.10.120  
ZM1792  
1119  
Supersedes  
1017

MAIL TO: P.O. BOX 16347 • Louisville, KY 40256-0347  
SHIP TO: 3649 Cane Run Road • Louisville, KY 40211-1961  
(502) 778-2731 • 1 (800) 928-PUMP • FAX (502) 774-3624

visit our website:  
zoellerengineered.com

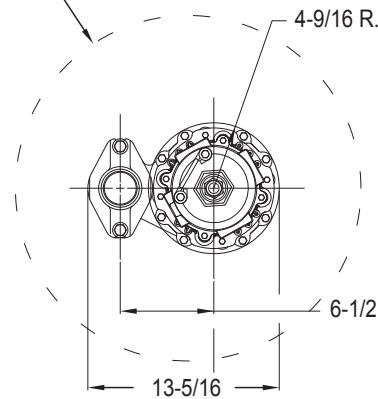
## X6160 - X6180 HAZARDOUS LOCATION SERIES

CLASS I, DIVISION 1, GROUP C & D  
CLASS I, ZONE 1, GROUPS IIA & IIB  
DIMENSIONAL DATA

1-1/2" - 3" NPT Vertical Discharge Units  
Commercial Duty Effluent Floor Mounted

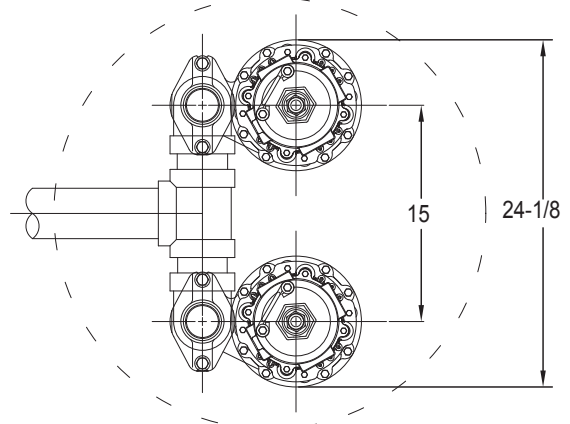


24 INCH DIAMETER  
MINIMUM FOR SIZE ONLY.  
VOLUME MAY REQUIRE  
LARGER BASIN.



SIMPLEX INSTALLATION

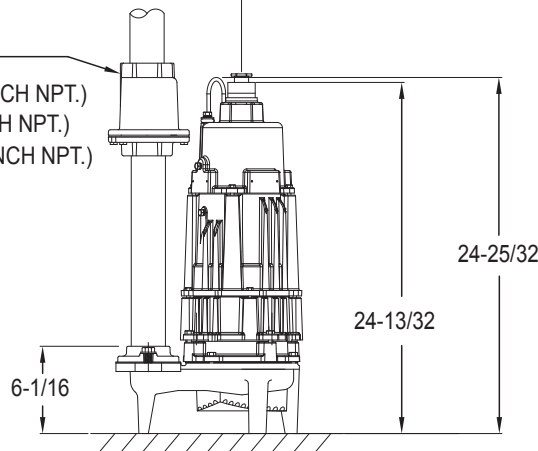
30 INCH DIAMETER  
MINIMUM FOR SIZE ONLY.  
VOLUME MAY REQUIRE  
LARGER BASIN.



DUPLEX INSTALLATION

DIMENSIONS BASED ON STANDARD ANSI FITTING SIZES.  
CHECK VALVES REQUIRED, NOT SHOWN FOR CLARITY.  
ALL DIMENSIONS ARE IN INCHES UNLESS OTHERWISE NOTED.

CHECK VALVE  
(P/N 30-0164 1.5 INCH NPT.)  
(P/N 30-0152 2 INCH NPT.)  
(P/N 6030-0160 3 INCH NPT.)



SK1992

\*All dimensions in inches unless otherwise noted.

© Copyright 2019 Zoeller® Co. All rights reserved.

See Reverse Side for "Rail Mounted"

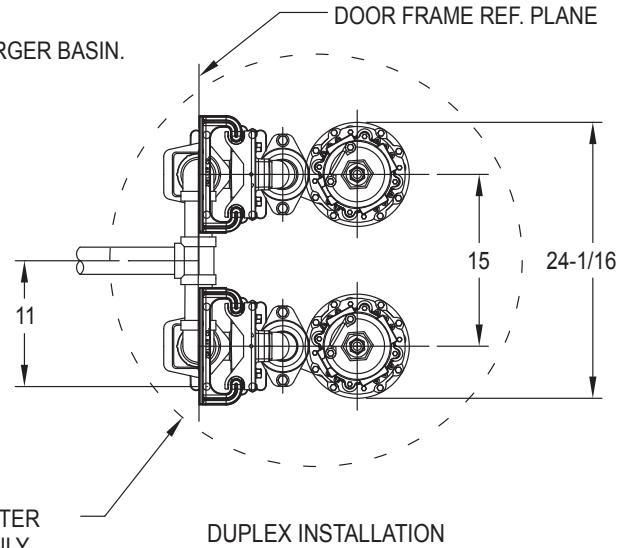
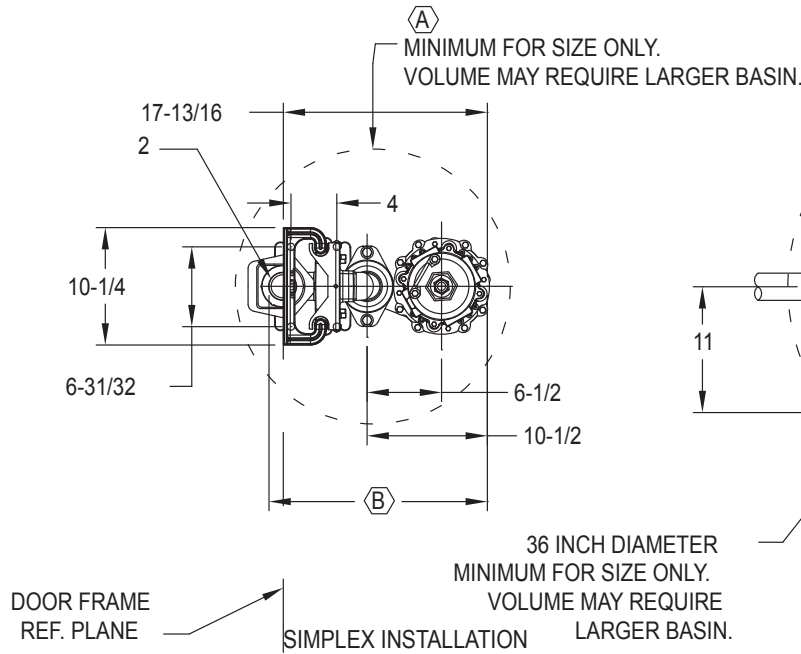
# X6160 - X6180 HAZARDOUS LOCATION SERIES



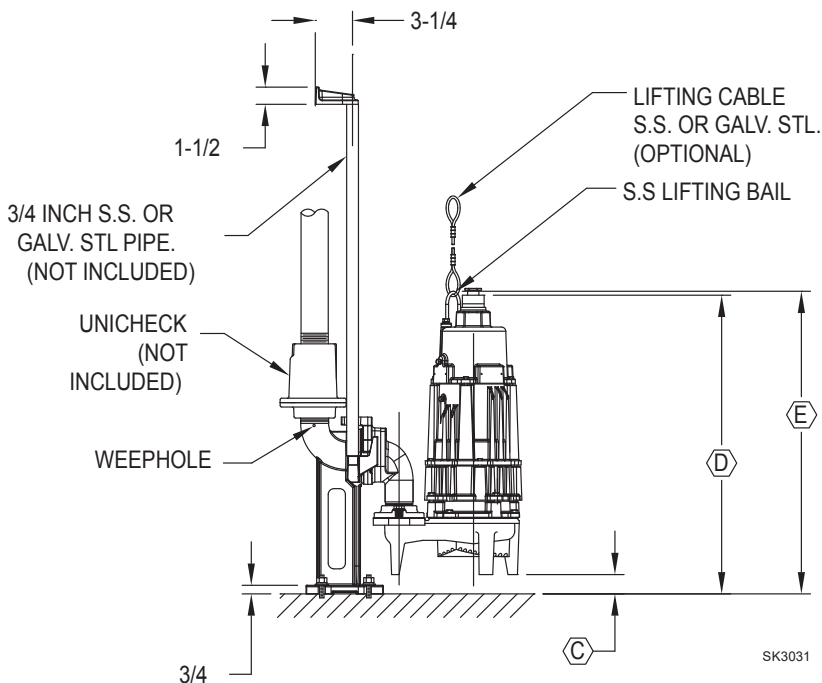
CLASS I, DIVISION 1, GROUP C & D  
 CLASS I, ZONE 1, GROUPS IIA & IIB  
 DIMENSIONAL DATA  
 1-1/2" - 3" NPT Vertical Discharge Units  
 Commercial Duty Effluent Rail Mounted



DISCHARGE	A	B	C	D	E
1-1/2 OR 2 INCH	24	19-1/16	1-3/4	26-1/16	26-13/32
3 INCH	30	21-3/16	3-29/32	28-7/32	28-17/32



DIMENSIONS ARE BASED ON STD. ANSI  
 FITTING SIZES. CHECK VALVES REQUIRED.  
 NOT SHOWN FOR CLARITY. ALL DIMENSIONS  
 IN INCHES UNLESS OTHERWISE NOTED.



Z Rail® Non Sparking Rail Systems		
Discharge Size	Ductile Iron Upper Bracket	Stainless Steel Upper Bracket
1.5"	39-0133	39-0142
2"	39-0130	39-0141
3"	39-0124	39-0125

Intermediate rail bracket required every 12' of basin depth, refer to ZM2818, Installation Procedure

\*All dimensions in inches unless otherwise noted.

See Reverse Side for "Floor Mounted"