

Trusted. Tested. Tough.™

Product information presented here reflects conditions at time of publication. Consult factory regarding discrepancies or inconsistencies.



SECTION: Z2.10.160

ZM1756

0712

Supersedes

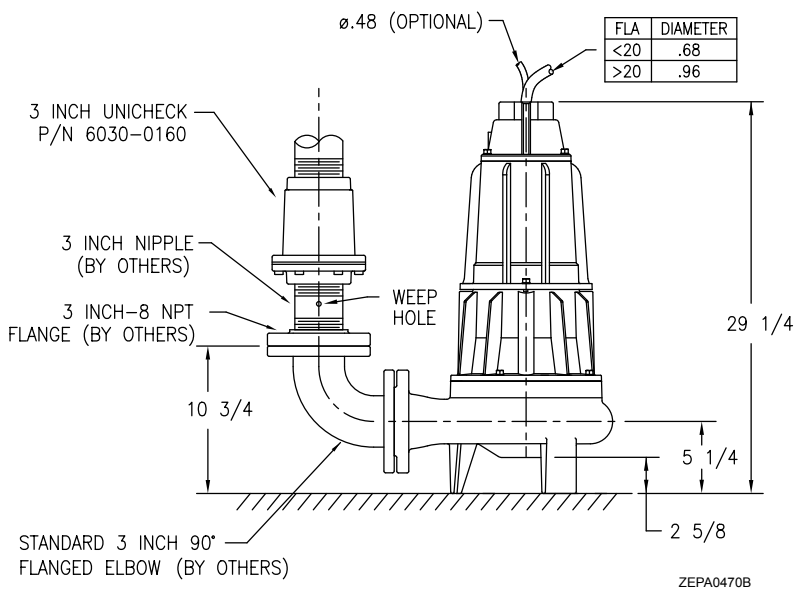
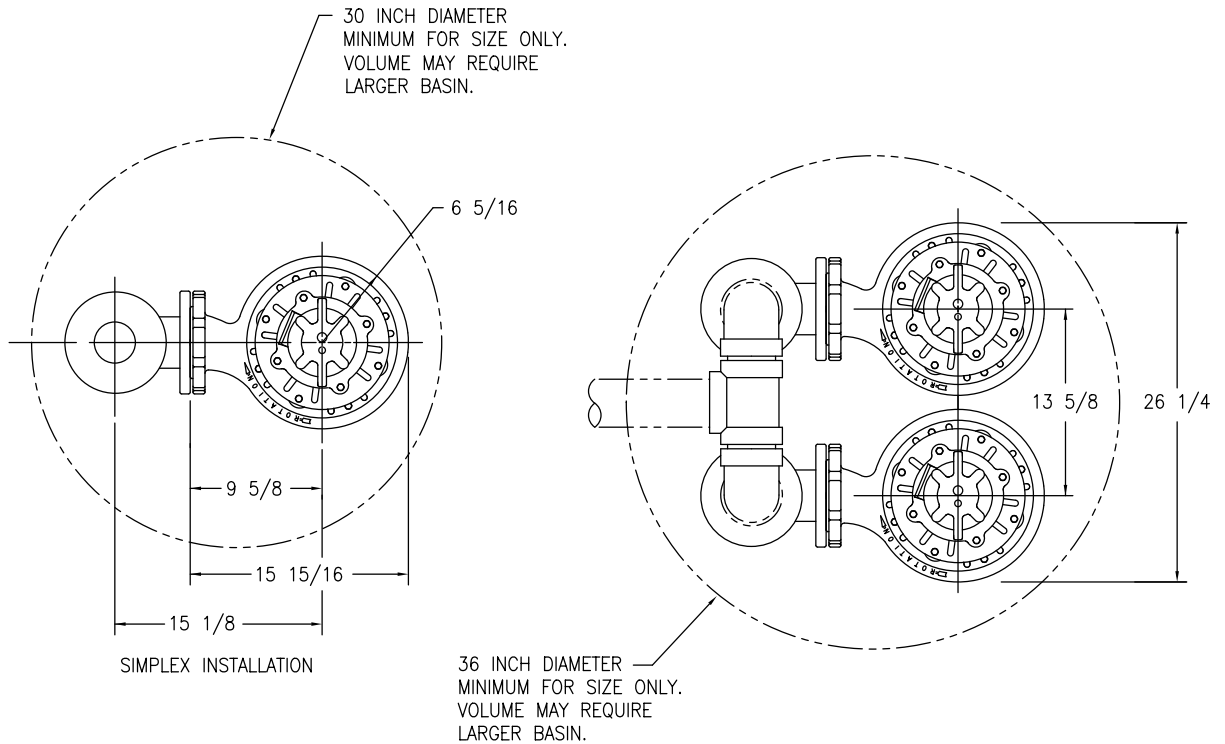
0609

MAILTO: P.O. BOX 16347 • Louisville, KY 40256-0347
SHIPTO: 3649 Cane Run Road • Louisville, KY 40211-1961
 (502) 778-2731 • 1 (800) 928-PUMP • **FAX** (502) 774-3624

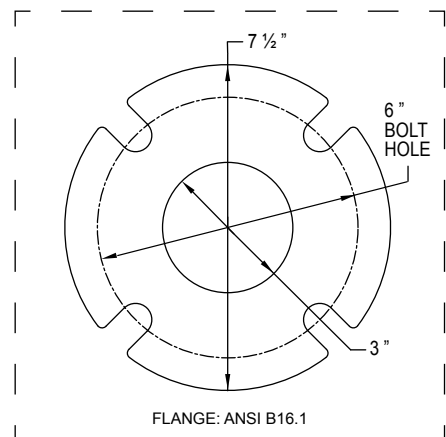
Visit our web site:
zoellerengineered.com



**61 HD SERIES
 DIMENSIONAL DATA
 3" Flanged Horizontal Discharge Units
 Floor Mounted**



DUPLEX INSTALLATION
 DIMENSIONS BASED ON STD. ANSI FITTING SIZES
 CHECK VALVES REQUIRED, NOT SHOWN FOR CLARITY
 ALL DIMENSIONS IN INCHES UNLESS OTHERWISE NOTED



*All dimensions in inches unless otherwise noted.

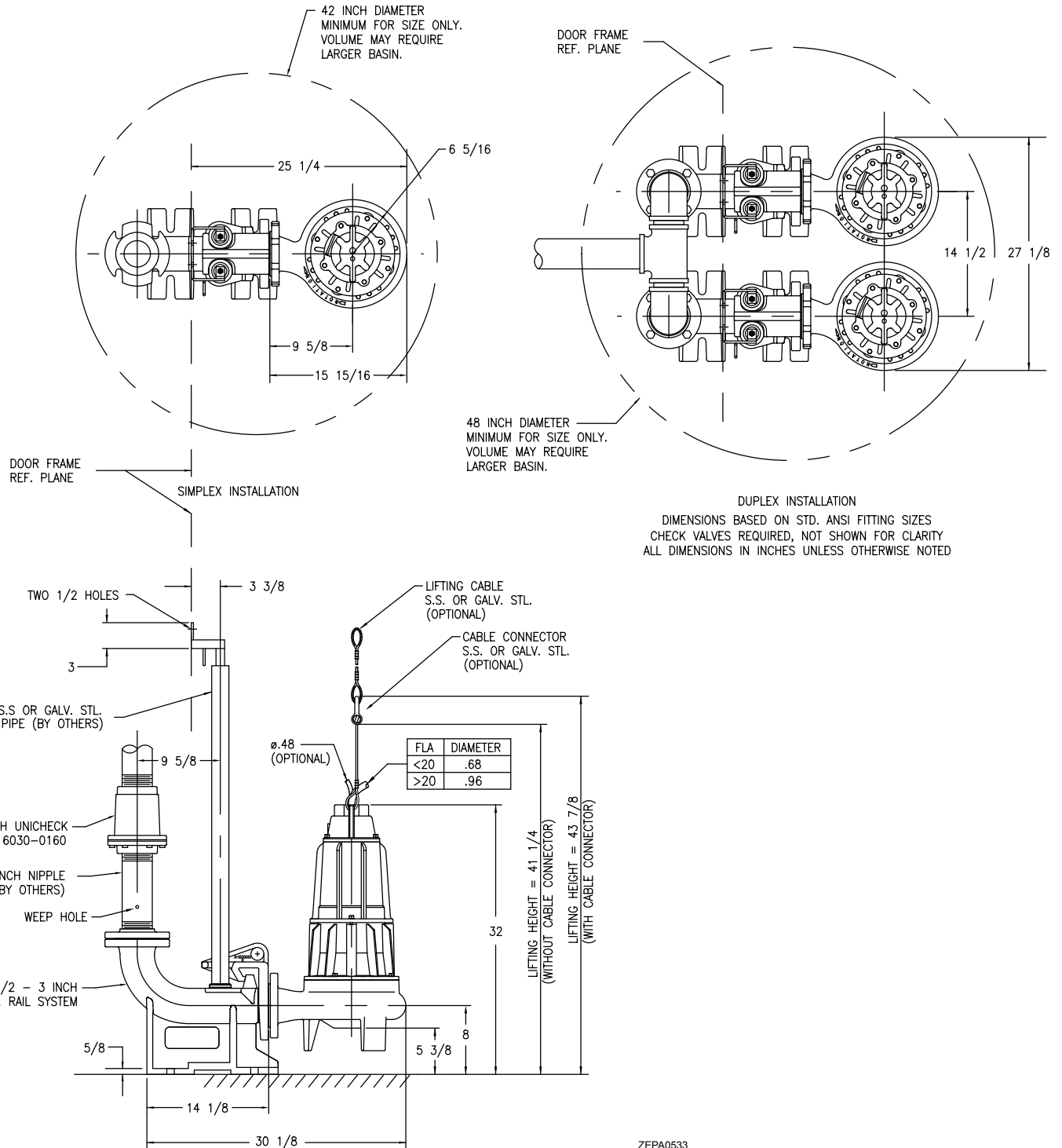
See Reverse Side for "Rail Mounted"

61 HD SERIES

DIMENSIONAL DATA

3" Flanged Horizontal Discharge Units

Part Number 39-0094 Rail Mounted



*All dimensions in inches unless otherwise noted.

See Reverse Side for "Floor Mounted"