

Trusted. Tested. Tough.®

Product information presented here reflects conditions at time of publication. Consult factory regarding discrepancies or inconsistencies.



SECTION: Z1.10.400

ZM1373

0422

Supersedes

0721

MAIL TO: P.O. BOX 16347 • Louisville, KY 40256-0347
SHIP TO: 3649 Cane Run Road • Louisville, KY 40211-1961
(502) 778-2731 • 1 (800) 928-PUMP • FAX (502) 774-3624

Visit our website:
zoellerengineered.com



Tested to UL
Standard UL778. Certified
to CSA
Standard C22.2 No.108.

6180 SERIES COMMERCIAL EFFLUENT PUMPS TECHNICAL DATA



	<input type="checkbox"/> 6185	<input type="checkbox"/> 6186	<input type="checkbox"/> 6188	<input type="checkbox"/> 6189
PUMP NAME PLATE HORSEPOWER:	1 HP	1.5 HP	1.5 HP	2 HP
SOLID SIZE: in (mm)	3/4" (19mm)	3/4" (19mm)	3/4" (19mm)	3/4" (19mm)
MINIMUM HEAD: ft. (m)	30.0' (9.1m)	5.0' (1.5m)	5.0' (1.5m)	5.0' (1.5m)
MAXIMUM HEAD: ft. (m)	73' (22.3m)	114' (34.7m)	91' (27.7m)	110' (33.5m)
MAX.FLOW GPM (L/min) @ MIN. HEAD ft. (m)	85 GPM @ 30' (322 L/min @ 9.1m)	58 GPM @ 5' (229 L/min @ 1.5m)	145 GPM @ 5' (549 L/min @ 1.5m)	145 GPM @ 5' (549 L/min @ 1.5m)
DISCHARGE SIZE: VERTICAL FEMALE	<input type="checkbox"/> 1-1/2" <input type="checkbox"/> 2" <input type="checkbox"/> 3" NPT	<input type="checkbox"/> 1-1/2" <input type="checkbox"/> 2" <input type="checkbox"/> 3" NPT	<input type="checkbox"/> 1-1/2" <input type="checkbox"/> 2" <input type="checkbox"/> 3" NPT	<input type="checkbox"/> 1-1/2" <input type="checkbox"/> 2" <input type="checkbox"/> 3" NPT

PUMP NET WEIGHT: lbs (kg)	89-94 lbs (40-43 kg)	MOTOR TYPE:	SUBMERSIBLE
SERVICE FACTOR:	1.0	TYPE SOW POWER CORD LENGTH: ft (m)	25' (7.62m) <input type="checkbox"/> _____'
MOTOR DESIGN LETTER:	NEMA B	MOTOR SHAFT:	416 S.S.
IMPELLER TYPE:	CAST IRON VORTEX OPTIONAL <input type="checkbox"/> BRONZE VORTEX	STATOR AND LEAD WIRES INSULATION:	6185 CLASS B 6186 - 6189 CLASS F
SQUARE RINGS:	VITON	MAXIMUM STATOR TEMPERATURE:	CLASS B 266 °F (130 °C) CLASS F 311 °F (155 °C)
RPM:	3450		

SHAFT SEAL CONSTRUCTION:	STANDARD	UPPER-CARBON/CERAMIC, LOWER-SILICON CARBIDE/ CARBON
	OPTIONAL <input type="checkbox"/> UPPER <input type="checkbox"/> LOWER	<input type="checkbox"/> SILICON CARBIDE / CARBON <input type="checkbox"/> SILICON CARBIDE / SILICON CARBIDE <input type="checkbox"/> SILICON CARBIDE / SILICON CARBIDE
MOTOR THERMAL SHUTOFF:	STANDARD (Single Phase Only)	THERMAL OVERLOAD WITH AUTOMATIC RESET
MOISTURE DETECTION:	<input type="checkbox"/> OPTIONAL*	MOISTURE SENSING PROBES
MINIMUM RECOMMENDED FLUID LEVEL: in (m)		10" (0.25m)
MAXIMUM WATER TEMPERATURE:		130 °F (54 °C) 120 °F (49 °C) FOR WD6189

*Requires a circuit in control panel to function.

MODEL	HP	200-208V/1PH		<input type="checkbox"/> 230V/1PH		<input type="checkbox"/> 200-208V/3PH		<input type="checkbox"/> 230V/3PH		<input type="checkbox"/> 460V/3PH		<input type="checkbox"/> 575V/3PH	
		FLA	LRA	FLA	LRA	FLA	LRA	FLA	LRA	FLA	LRA	FLA	LRA
<input type="checkbox"/> 6185	1	11.5	26.9	9.8	19	7.5	30	7.4	27	3.7	14	3.3	12
<input type="checkbox"/> 6186	1-1/2	17.2	48.3	13.7	38	10.3	42	9.2	35	4.6	18	3.6	18
<input type="checkbox"/> 6188	1-1/2	16.8	48.3	14.0	38	10.3	42	8.9	35	4.6	18	3.5	18
<input type="checkbox"/> 6189	2	20.5	48.3	17.1	38	13.2	42	11.2	35	6.0	18	5.8	18

Refer to reverse side for Head/Capacity Performance Curves

CAUTION Model 6185 should not be operated below 30' TDH

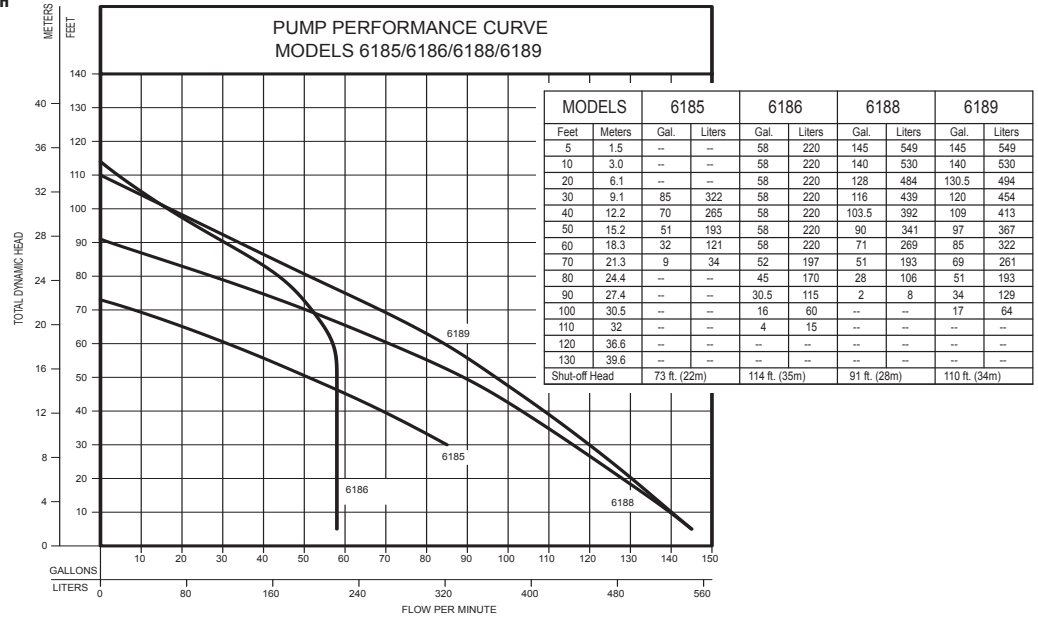
Standard all models - 25 ft. cord - 1 HP				
6185 MODELS	Control Selection			Listings c CSA us
	Volts	PH	Amps	
*E6185	230	1	9.8	Yes
I6185	200	1	11.5	Yes
J6185	200	3	7.5	Yes
F6185	230	3	7.4	Yes
G6185	460	3	3.7	Yes
BA6185	575	3	3.3	Yes

Standard all models - 25 ft. cord - 1.5 HP				
6186 MODELS	Control Selection			Listings c CSA us
	Volts	PH	Amps	
*E6186	230	1	13.7	Yes
I6186	200	1	17.2	Yes
J6186	200	3	10.3	Yes
F6186	230	3	9.2	Yes
G6186	460	3	4.6	Yes
BA6186	575	3	3.6	Yes

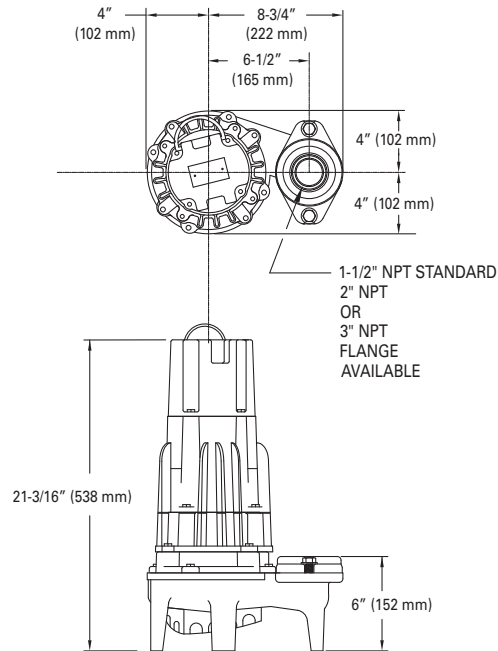
Standard all models - 25 ft. cord - 1.5 HP				
6188 MODELS	Control Selection			Listings c CSA us
	Volts	PH	Amps	
*E6188	230	1	14.0	Yes
I6188	200	1	16.8	Yes
J6188	200	3	10.3	Yes
F6188	230	3	8.9	Yes
G6188	460	3	4.6	Yes
BA6188	575	3	3.5	Yes

Standard all models - 25 ft. cord - 2 HP				
6189 MODELS	Control Selection			Listings c CSA us
	Volts	PH	Amps	
*E6189	230	1	17.1	No ⁽¹⁾
*WD6189	230	1	17.1	No
I6189	200	1	20.5	Yes
J6189	200	3	13.2	Yes
F6189	230	3	11.2	Yes
G6189	460	3	6.0	Yes
BA6189	575	3	5.8	Yes

(1) Factory shipped with 20 amp plug.
* Molded plug



009903



SK1413

FEATURES

- Durable epoxy coated cast iron construction
- Motor - 1 HP - 2 HP, 60 Hz, 3450 RPM, 1 PH or 3 PH, oil-filled, hermetically sealed, automatic reset, thermal overload protected (1 PH)
- Bearings - upper and lower ball bearings
- Stainless steel motor shaft
- Dual mechanical shaft seals - upper carbon/ceramic, lower silicon carbide/carbon. Optional seal materials available
- Viton square ring seals
- Impeller - non-clogging cast iron vortex design passes 3/4" spherical solids
- 25 foot listed 3 wire neoprene cord and plug. Longer cords available in lengths of 35-50 feet
- No screens to clog
- Stainless steel screws, bolts and handle
- 1-1/2" NPT discharge with 2" or 3" flange available
- Corrosion resistant powder coated epoxy finish
- Moisture sensors available for early warning of seal failure. (Optional)
- 100% computerized tested.

CAUTION

All installation of controls, protection devices and wiring should be done by a qualified licensed electrician. All electrical and safety codes should be followed including the most recent National Electric Code (NEC) and the Occupational Safety and Health Act (OSHA).