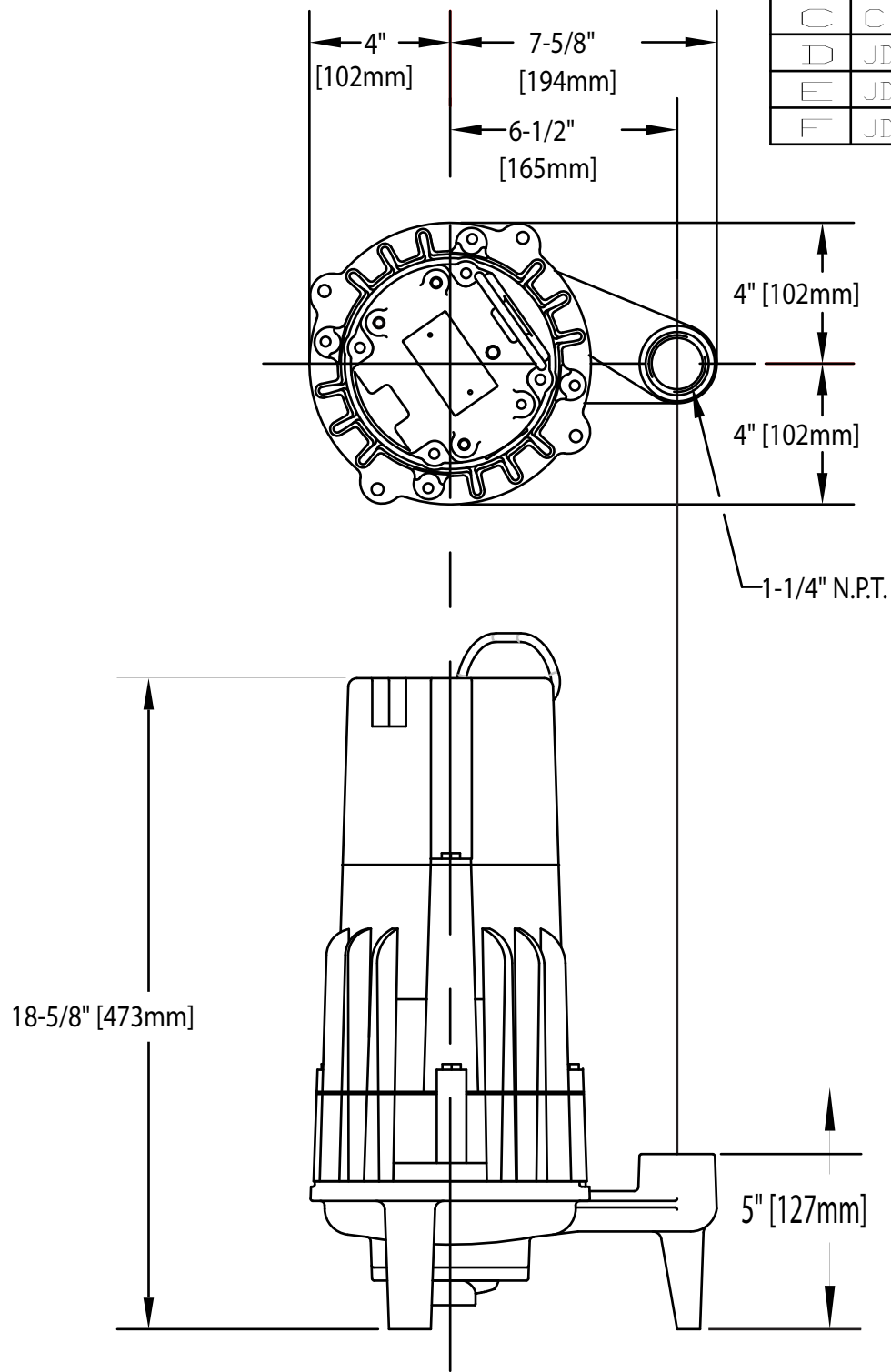


DRAWING REVISIONS				
LTR	BY	DATE	ECO #	DESCRIPTION
C	CE	12/10/10		REMOVE 11-1/2 THREADS PER INCH
D	JDC	04/14/14		ADD METRIC UNITS
E	JDC	07/05/16		CHANGE CUTTER
F	JDC	08/11/17		ADD DASHES TO FRACTIONS



DRAWING DESCRIPTION:
ARCHITECTURAL VIEW
MODEL 818-820
GRINDER

NUMBERS ENCLOSED IN A CIRCLE, 1, ARE CRITICAL TO QUALITY (CTQ) ITEMS. THIS INDICATES A CRUCIAL SPECIFICATION THAT MUST BE ROUTINELY VERIFIED.



TOLERANCES:
 X ± ~ .000± ~
 XX ± ~ ANGLES ± ~
 XXX ± ~ FRACTIONS ± ~

ITEMS MARKED (CTQ) ARE CONTROLLED BY A SEPARATE DIVISION'S QUALITY SYSTEM.

DRAFTER:
 J.BYRD

DATE:
 2/29/96

CHECKED: _____ **DATE:** _____

APPROVED: _____ **DATE:** _____

ELECTRONIC SCALE: 1X
DO NOT SCALE PRINT

EXCEPT AS NOTED DIMENSIONS ARE IN INCHES.

SHEET: 1 OF 1

PART NUMBER: _____ **PART REVISION:** _____

DRAWING NUMBER:
SK1621