

Trusted. Tested. Tough.®

SECTION: Z5.10.200

ZM3384

0422

Supersedes

1021

Product information presented here reflects conditions at time of publication. Consult factory regarding discrepancies or inconsistencies.



MAIL TO: P.O. BOX 16347 • Louisville, KY 40256-0347  
 SHIP TO: 3649 Cane Run Road • Louisville, KY 40211-1961  
 (502) 778-2731 • 1 (800) 928-PUMP • FAX (502) 774-3624

Visit our website:  
 zoellerengineered.com

## X6180 HAZARDOUS LOCATION SERIES

Class I, Division 1, Groups C & D Rated and Class I, Zone 1, Groups IIA & IIB Gas Areas

or

Class II, Division 1, Groups E, F & G and Zone 20 Dust Areas

### TECHNICAL DATA

Commercial Duty Effluent



C US  
 Tested to UL  
 Standard UL778, Certified  
 to CSA  
 Standard C22.2 No.108.



	<input type="checkbox"/> X6185	<input type="checkbox"/> X6186	<input type="checkbox"/> X6188	<input type="checkbox"/> X6189
<b>PUMP NAME PLATE HORSEPOWER:</b>	1 HP	1.5 HP	1.5 HP	2 HP
<b>SOLID SIZE: in (mm)</b>	3/4" (19mm)	3/4" (19mm)	3/4" (19mm)	3/4" (19mm)
<b>MINIMUM HEAD: ft. (m)</b>	30.0' (9.1m)	5.0' (1.5m)	5.0' (1.5m)	5.0' (1.5m)
<b>MAXIMUM HEAD: ft. (m)</b>	73' (22.3m)	114' (34.7m)	91' (27.7m)	110' (33.5m)
<b>MAX.FLOW GPM (L/min) @ MIN. HEAD ft. (m)</b>	85 GPM @ 30' (322 L/min @ 9.1m)	58 GPM @ 5' (229 L/min @ 1.5m)	145 GPM @ 5' (549 L/min @ 1.5m)	145 GPM @ 5' (549 L/min @ 1.5m)
<b>DISCHARGE SIZE: VERTICAL FEMALE</b>	<input type="checkbox"/> 1-1/2" <input type="checkbox"/> 2" <input type="checkbox"/> 3" NPT	<input type="checkbox"/> 1-1/2" <input type="checkbox"/> 2" <input type="checkbox"/> 3" NPT	<input type="checkbox"/> 1-1/2" <input type="checkbox"/> 2" <input type="checkbox"/> 3" NPT	<input type="checkbox"/> 1-1/2" <input type="checkbox"/> 2" <input type="checkbox"/> 3" NPT

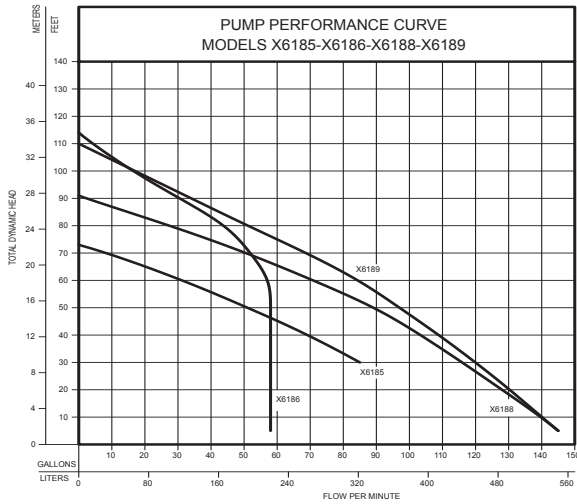
<b>PUMP NET WEIGHT: lbs (kg)</b>	125-133 (57-60 kg)	<b>MOTOR TYPE CSA APPROVED:</b>	SUBMERSIBLE Class 1 Gas Area Certified Class 2 Dust Area Certified
<b>SERVICE FACTOR:</b>	1.0		
<b>MOTOR DESIGN LETTER:</b>	NEMA B	<b>TYPE SOW POWER CORD LENGTH: ft (m)</b>	25' (7.62m) <input type="checkbox"/> _____'
<b>IMPELLER TYPE:</b>	CAST IRON VORTEX OPTIONAL <input type="checkbox"/> BRONZE VORTEX	<b>MOTOR SHAFT:</b>	416 S.S.
<b>SQUARE RINGS:</b>	VITON	<b>STATOR AND LEAD WIRES INSULATION:</b>	X6185 CLASS B
<b>RPM:</b>	3450		X6186 - X6189 CLASS F
<b>SURFACE TEMPERATURE CODE:</b>	T5 (1PH) T6 (3PH)	<b>MAXIMUM STATOR TEMPERATURE:</b>	CLASS B 266 °F (130 °C)
			CLASS F 311 °F (155 °C)

<b>SHAFT SEAL CONSTRUCTION:</b>	<b>STANDARD</b>	UPPER-CARBON/CERAMIC, LOWER-SILICON CARBIDE/ CARBON
	<b>OPTIONAL</b> <input type="checkbox"/> UPPER <input type="checkbox"/> LOWER	<input type="checkbox"/> SILICON CARBIDE / CARBON <input type="checkbox"/> SILICON CARBIDE / SILICON CARBIDE <input type="checkbox"/> SILICON CARBIDE / SILICON CARBIDE
<b>MOTOR THERMAL SHUTOFF:</b>	<b>STANDARD (Single Phase Only)</b>	THERMAL OVERLOAD WITH AUTOMATIC RESET
<b>MOISTURE DETECTION:</b>	<input type="checkbox"/> <b>OPTIONAL*</b>	MOISTURE SENSING PROBES
<b>MINIMUM RECOMMENDED FLUID LEVEL: in (m)</b>		10" (0.25m)
<b>MAXIMUM WATER TEMPERATURE:</b>		104 °F (40 °C)

\*Requires a circuit in control panel to function.

MODEL	HP	200-208V/1PH		<input type="checkbox"/> 230V/1PH		<input type="checkbox"/> 200-208V/3PH		<input type="checkbox"/> 230V/3PH		<input type="checkbox"/> 460V/3PH		<input type="checkbox"/> 575V/3PH	
		FLA	LRA	FLA	LRA	FLA	LRA	FLA	LRA	FLA	LRA	FLA	LRA
<input type="checkbox"/> X6185	1	11.5	26.9	9.8	19	7.5	30	7.4	27	3.7	14	3.3	12
<input type="checkbox"/> X6186	1-1/2	17.2	48.3	13.7	38	10.3	42	9.2	35	4.6	18	3.6	18
<input type="checkbox"/> X6188	1-1/2	16.8	48.3	14.0	38	10.3	42	8.9	35	4.6	18	3.5	18
<input type="checkbox"/> X6189	2	20.5	48.3	17.1	38	13.2	42	11.2	35	6.0	18	5.8	18

Refer to reverse side for Head/Capacity Performance Curves



MODELS		X6185		X6186		X6188		X6189	
Feet	Meters	Gal.	Liters	Gal.	Liters	Gal.	Liters	Gal.	Liters
5	1.5	--	--	58	220	145	549	145	549
10	3.0	--	--	58	220	140	530	140	530
20	6.1	--	--	58	220	128	484	130.5	494
30	9.1	85	322	58	220	116	439	120	454
40	12.2	70	265	58	220	103.5	392	109	413
50	15.2	51	193	58	220	90	341	97	367
60	18.3	32	121	58	220	71	269	85	322
70	21.3	9	34	52	197	51	193	69	261
80	24.4	--	--	45	170	28	106	51	193
90	27.4	--	--	30.5	115	2	8	34	129
100	30.5	--	--	16	60	--	--	17	64
110	32	--	--	4	15	--	--	--	--
120	36.6	--	--	--	--	--	--	--	--
130	39.6	--	--	--	--	--	--	--	--
Shut-off Head		73 ft. (22m)		114 ft. (35m)		91 ft. (28m)		110 ft. (34m)	

009903

**CAUTION** Model 6185 should not be operated below 30' TDH

Standard all models - 25 ft. cord - 1 HP				
X6185 MODELS	Control Selection			Listings
	Volts	PH	Amps	c CSA us
*EX6185	230	1	9.8	Yes
IX6185	200	1	11.5	Yes
JX6185	200	3	7.5	Yes
FX6185	230	3	7.4	Yes
GX6185	460	3	3.7	Yes
BAX6185	575	3	3.3	Yes

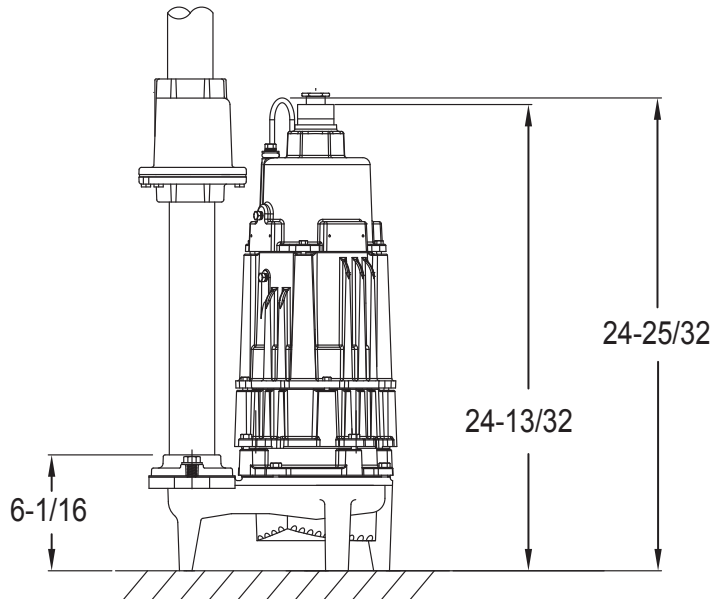
Standard all models - 25 ft. cord - 1.5 HP				
X6186 MODELS	Control Selection			Listings
	Volts	PH	Amps	c CSA us
*EX6186	230	1	13.7	Yes
IX6186	200	1	17.2	Yes
JX6186	200	3	10.3	Yes
FX6186	230	3	9.2	Yes
GX6186	460	3	4.6	Yes
BAX6186	575	3	3.6	Yes

Standard all models - 25 ft. cord - 1.5 HP				
X6188 MODELS	Control Selection			Listings
	Volts	PH	Amps	c CSA us
*EX6188	230	1	14.0	Yes
IX6188	200	1	16.8	Yes
JX6188	200	3	10.3	Yes
FX6188	230	3	8.9	Yes
GX6188	460	3	4.6	Yes
BAX6188	575	3	3.5	Yes

Standard all models - 25 ft. cord - 2 HP				
X6189 MODELS	Control Selection			Listings
	Volts	PH	Amps	c CSA us
*EX6189	230	1	17.1	No <sup>(1)</sup>
IX6189	200	1	20.5	Yes
JX6189	200	3	13.2	Yes
FX6189	230	3	11.2	Yes
GX6189	460	3	6.0	Yes
BAX6189	575	3	5.8	Yes

(1) Factory shipped with 20 amp plug.

\* Molded plug



SK1992

### FEATURES

- Durable epoxy coated cast iron construction
- Motor - 1 HP - 2 HP, 60 Hz, 3450 RPM, 1 PH or 3 PH, oil-filled, hermetically sealed.
- Thermal sensor with lead wire (3PH), integral overload with automatic reset (1 PH)
- Bearings - upper and lower ball bearings
- Stainless steel motor shaft
- Dual mechanical shaft seals - upper carbon/ceramic, lower silicon carbide/carbon. Optional seal materials available
- Viton square ring seals
- Impeller - non-clogging cast iron vortex design passes 3/4" spherical solids
- 25 foot listed 3 wire neoprene cord and plug. Longer cords available in lengths of 35-50 feet
- No screens to clog
- Stainless steel screws, bolts and handle
- 1-1/2" NPT discharge with 2" or 3" flange available
- Corrosion resistant powder coated epoxy finish
- Moisture sensors available for early warning of seal failure.
- 100% computerized tested.

**CAUTION**

All installation of controls, protection devices and wiring should be done by a qualified licensed electrician. All electrical and safety codes should be followed including the most recent National Electric Code (NEC) and the Occupational Safety and Health Act (OSHA).