

Trusted. Tested. Tough.®

Product information presented here reflects conditions at time of publication. Consult factory regarding discrepancies or inconsistencies.



Z5.10.100
ZM3382
0422
Supersedes
1021

MAIL TO: P.O. BOX 16347 • Louisville, KY 40256-0347
SHIP TO: 3649 Cane Run Road • Louisville, KY 40211-1961
(502) 778-2731 • 1 (800) 928-PUMP • FAX (502) 774-3624

Visit our website:
zoellerengineered.com

X6160 HAZARDOUS LOCATION SERIES

Class I, Division 1, Groups C & D Rated and Class I, Zone 1, Groups IIA & IIB Gas Areas

or

Class II, Division 1, Groups E, F & G and Zone 20 Dust Areas

TECHNICAL DATA

Commercial Duty Effluent



	<input type="checkbox"/> X6161	<input type="checkbox"/> X6163	<input type="checkbox"/> X6165
PUMP NAME PLATE HORSEPOWER:	1/2 HP	1/2 HP	1 HP
SOLID SIZE: in (mm)	3/4" (19mm)	3/4" (19mm)	3/4" (19mm)
MINIMUM HEAD: ft. (m)	5.0' (1.5m)	5.0' (1.5m)	5.0' (1.5m)
MAXIMUM HEAD: ft. (m)	56' (17.1m)	66' (20.1m)	86.5' (26.4m)
MAX.FLOW GPM (L/min) @ MIN. HEAD ft. (m)	100 GPM @ 5' (379 L/min @ 1.5m)	61 GPM @ 5' (231 L/min @ 1.5m)	61 GPM @ 5' (231 L/min @ 1.5m)
DISCHARGE SIZE: VERTICAL FEMALE	<input type="checkbox"/> 1-1/2" NPT <input type="checkbox"/> 2" NPT <input type="checkbox"/> 3" NPT	<input type="checkbox"/> 1-1/2" NPT <input type="checkbox"/> 2" NPT <input type="checkbox"/> 3" NPT	<input type="checkbox"/> 1-1/2" NPT <input type="checkbox"/> 2" NPT <input type="checkbox"/> 3" NPT

PUMP NET WEIGHT: lbs (kg)	125-133 (57-60 kg)	MOTOR TYPE CSA APPROVED:	SUBMERSIBLE Class 1 Gas Area Certified Class 2 Dust Area Certified
SERVICE FACTOR:	1.0	TYPE SOW POWER CORD LENGTH: ft (m)	25' (7.62m) <input type="checkbox"/>
MOTOR DESIGN LETTER:	NEMA B	MOTOR SHAFT:	416 S.S.
IMPELLER TYPE:	CAST IRON VORTEX OPTIONAL <input type="checkbox"/> BRONZE VORTEX	STATOR INSULATION:	CLASS B
SQUARE RINGS:	VITON	LEAD WIRES INSULATION:	CLASS B
RPM:	3450	MAXIMUM STATOR TEMPERATURE:	CLASS B 266 °F (130 °C)
SURFACE TEMPERATURE CODE:	T5 (1PH) T6 (3PH)		

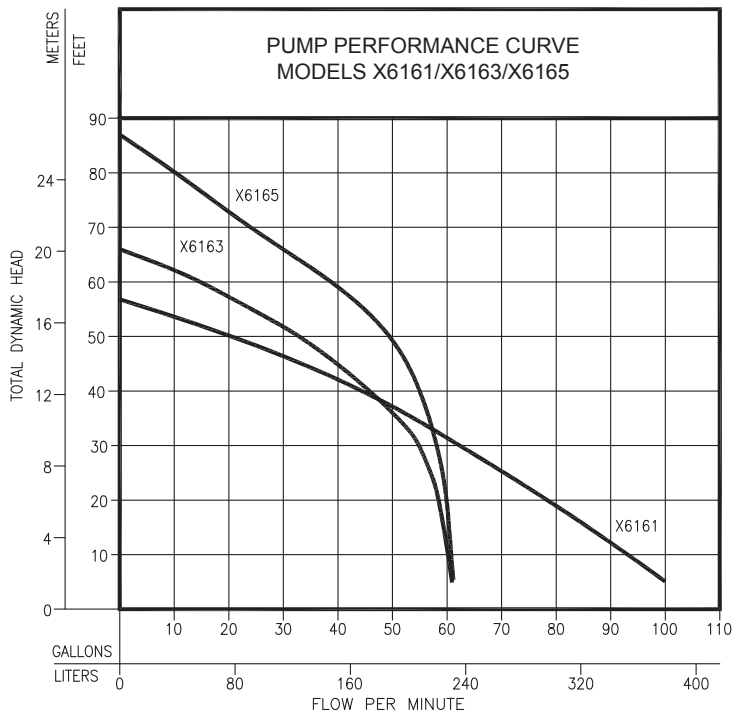
SHAFT SEAL CONSTRUCTION:	STANDARD	CARBON/CERAMIC - UPPER CARBON/SILICON CARBIDE - LOWER
	OPTIONAL UPPER	<input type="checkbox"/> CARBON/SILICON CARBIDE <input type="checkbox"/> SILICON CARBIDE/SILICON CARBIDE
	OPTIONAL LOWER	<input type="checkbox"/> SILICON CARBIDE/SILICON CARBIDE
STANDARD SENSING DEVICES*	MOTOR THERMAL SHUTOFF	INTEGRAL OVERLOAD WITH AUTOMATIC RESET - 1 PHASE
		THERMAL SENSOR WITH LEAD WIRES - 3 PHASE
	MOISTURE DETECTION	MOISTURE SENSING PROBES WITH LEAD WIRES
MINIMUM FLUID LEVEL FOR CONTINUOUS OPERATIONS: in (m)		24" (0.6 m)
MAXIMUM WATER TEMPERATURE:		104 °F (40 °C)

*Requires a circuit in control panel to function.

ELECTRICAL DATA

MODEL	HP	<input type="checkbox"/> 115V/1Ph		<input type="checkbox"/> 200V/1Ph		<input type="checkbox"/> 230V/1Ph		<input type="checkbox"/> 200V/3Ph		<input type="checkbox"/> 200V/3Ph		<input type="checkbox"/> 460V/3Ph		<input type="checkbox"/> 575V/3Ph	
		FLA	LRA	FLA	LRA	FLA	LRA	FLA	LRA	FLA	LRA	FLA	LRA	FLA	LRA
<input type="checkbox"/> X6161	1/2	15.5	31.2	8.8	16.7	7.5	15.6	6.4	23.0	5.2	12.5	2.9	12.4	2.4	11.3
<input type="checkbox"/> X6163	1/2	15.0	31.2	8.5	16.7	7.5	15.6	6.0	23.0	4.8	12.5	2.9	12.4	2.4	11.3
<input type="checkbox"/> X6165	1	--	--	12.6	26.9	10.2	19.0	7.5	30.0	7.4	14.0	3.7	14.0	3.0	14.4

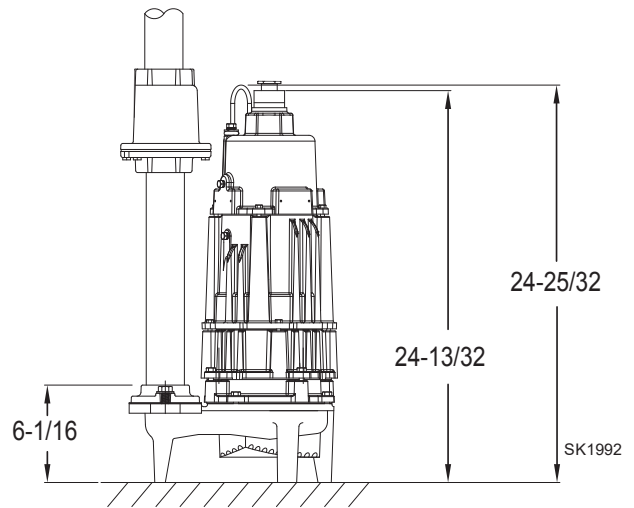
Refer to reverse side for Head/Capacity Performance Curves



**TOTAL DYNAMIC HEAD/FLOW
PER MINUTE
EFFLUENT AND DEWATERING**

MODELS		X6161		X6163		X6165	
Feet	Meters	Gal.	Liters	Gal.	Liters	Gal.	Liters
5	1.5	100	379	61	231	61	231
10	3.0	93	352	60	227	60.5	229
15	4.6	86	326	60	227	60.3	228
20	6.1	79	299	59	223	60	227
25	7.6	71	267	57	216	59	223
30	9.1	62	235	55	208	58	220
40	12.2	45	170	46	174	55	208
50	15.2	20	76	33	125	50	189
60	18.3	--	--	15	57	39	148
70	21.3	--	--	--	--	22.5	85
80	24.4	--	--	--	--	10	38
Shut-off Head:		56 ft. (17.1m)		66 ft. (20.1m)		86.5 ft. (26.4m)	

009920



Standard all models - 25 ft. cord - 1/2 H.P.				
X6161 MODELS	Control Selection			Listings
	Volts	Ph	Amps	cCSAus
*NX6161	115	1	15.5	Yes
*EX6161	230	1	7.5	Yes
IX6161	200	1	8.8	Yes
JX6161	200	3	6.4	Yes
FX6161	230	3	5.2	Yes
GX6161	460	3	2.9	Yes
BXA6161	575	3	2.4	Yes

Standard all models - 25 ft. cord - 1/2 H.P.				
X6163 MODELS	Control Selection			Listings
	Volts	Ph	Amps	cCSAus
*NX6163	115	1	15.5	Yes
*EX6163	230	1	7.5	Yes
IX6163	200	1	8.8	Yes
JX6163	200	3	6.0	Yes
FX6163	230	3	4.8	Yes
GX6163	460	3	2.9	Yes
BAX6163	575	3	2.4	Yes

Standard all models - 25 ft. cord - 1 H.P.				
X6165 MODELS	Control Selection			Listings
	Volts	Ph	Amps	cCSAus
*EX6165	230	1	10.2	Yes
IX6165	200	1	12.6	Yes
JX6165	200	3	7.5	Yes
FX6165	230	3	7.4	Yes
GX6165	460	3	3.7	Yes
BAX6165	575	3	3.0	Yes

FEATURES

- Durable epoxy coated cast iron construction
- Motor - 1/2 HP or 1 HP, 60 Hz, 3450 RPM, 1 PH or 3 PH, oil filled, hermetically sealed.
- Thermal sensor with lead wire (3PH), integral overload with automatic reset (1 PH,)
- Bearings - upper and lower ball bearings
- Stainless steel motor shaft
- Dual mechanical shaft seals - upper carbon/ceramic, lower silicon carbide/carbon. Optional seal materials available
- Viton square ring seals
- Impeller - non-clogging cast iron vortex design passes 3/4" spherical solids
- 25 foot listed 3 wire neoprene cord and plug. Longer cords available in lengths of 35-50 feet
- No screens to clog
- Stainless steel screws, bolts and handle
- 1-1/2" NPT discharge with 2" or 3" flange available
- Corrosion resistant powder coated epoxy finish
- Moisture sensors available for early warning of seal failure.
- 100% computerized tested

CAUTION

All installation of controls, protection devices and wiring should be done by a qualified licensed electrician. All electrical and safety codes should be followed including the most recent National Electric Code (NEC) and the Occupational Safety and Health Act (OSHA).