

Trusted. Tested. Tough.®

Product information presented here reflects conditions at time of publication. Consult factory regarding discrepancies or inconsistencies.



SECTION: Z1.20.135

ZM3070

0721

Supersedes

0120

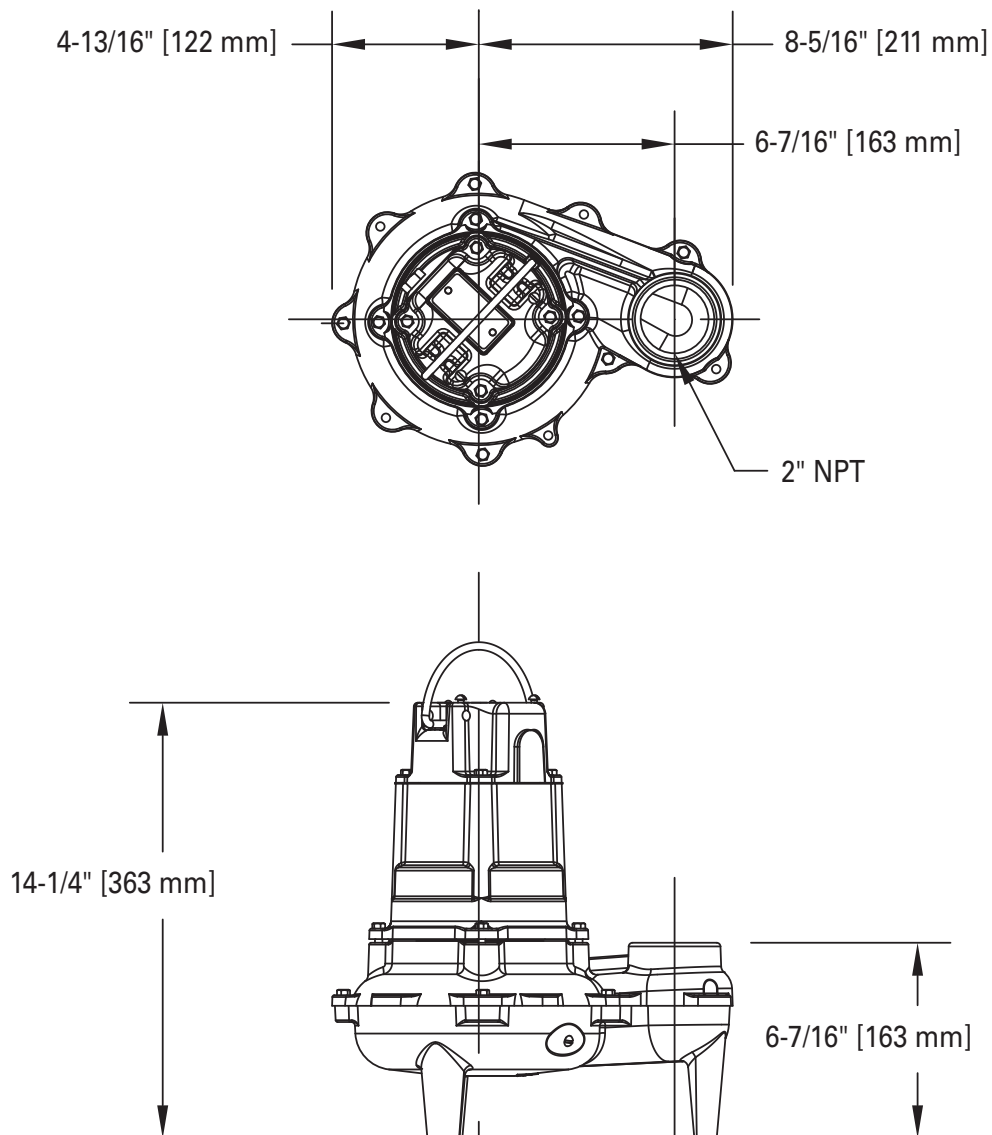
MAIL TO: P.O. BOX 16347 • Louisville, KY 40256-0347
SHIP TO: 3649 Cane Run Road • Louisville, KY 40211-1961
(502) 778-2731 • 1 (800) 928-PUMP • FAX (502) 774-3624

Visit our website:
zoellerengineered.com

6267 COMMERCIAL SEWAGE PUMP

DIMENSIONAL DATA

Floor Mounted



SK1020

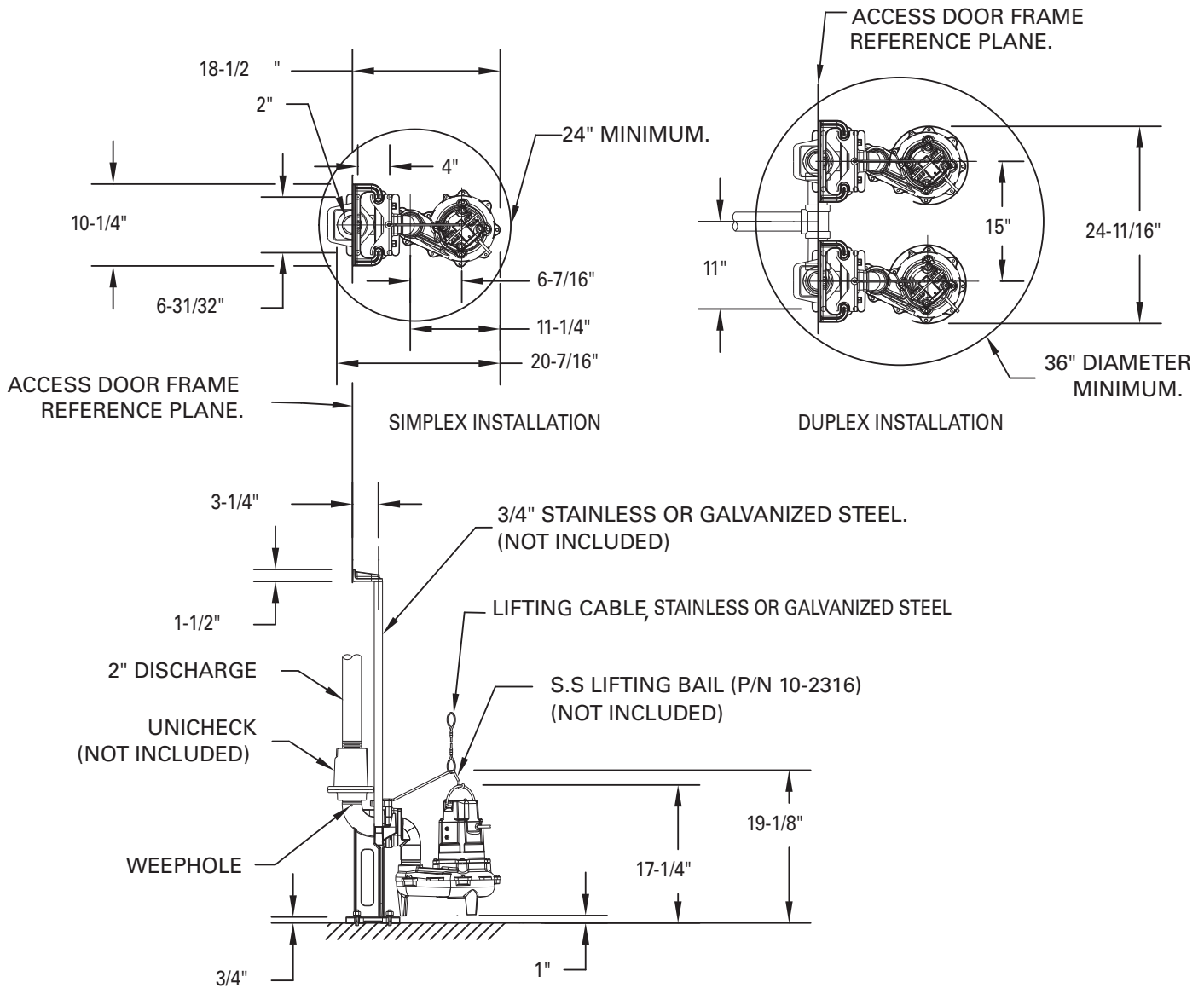
See ZM3067 for listed models

6267 COMMERCIAL SEWAGE PUMP

DIMENSIONAL DATA

2" Rail Mounted

Z-Rail® Disconnect System



DIMENSIONS ARE BASED ON STANDARD ANSI FITTING SIZES.
CHECK VALVES ARE REQUIRED, NOT SHOWN FOR CLARITY.
ALL DIMENSIONS IN INCHES UNLESS OTHERWISE NOTED.
MINIMUM SIZE IS FOR PHYSICAL FIT ONLY,
PUMP VOLUME/OPERATION MAY REQUIRE LARGER BASIN.
BASIN DEPTHS GREATER THAN 12' DEEP WILL REQUIRE A #39-0139
INTERMEDIATE STABILIZER BRACKET.

Discharge Size	Ductile Iron Upper Bracket	Stainless Steel Upper Bracket
2"	39-0128	39-0129
10-2316 Lifting Bail		

SK3184