

Trusted. Tested. Tough.®

Product information presented here reflects conditions at time of publication. Consult factory regarding discrepancies or inconsistencies.



SECTION: Z1.10.125

ZM3068

0621

Supersedes

0120

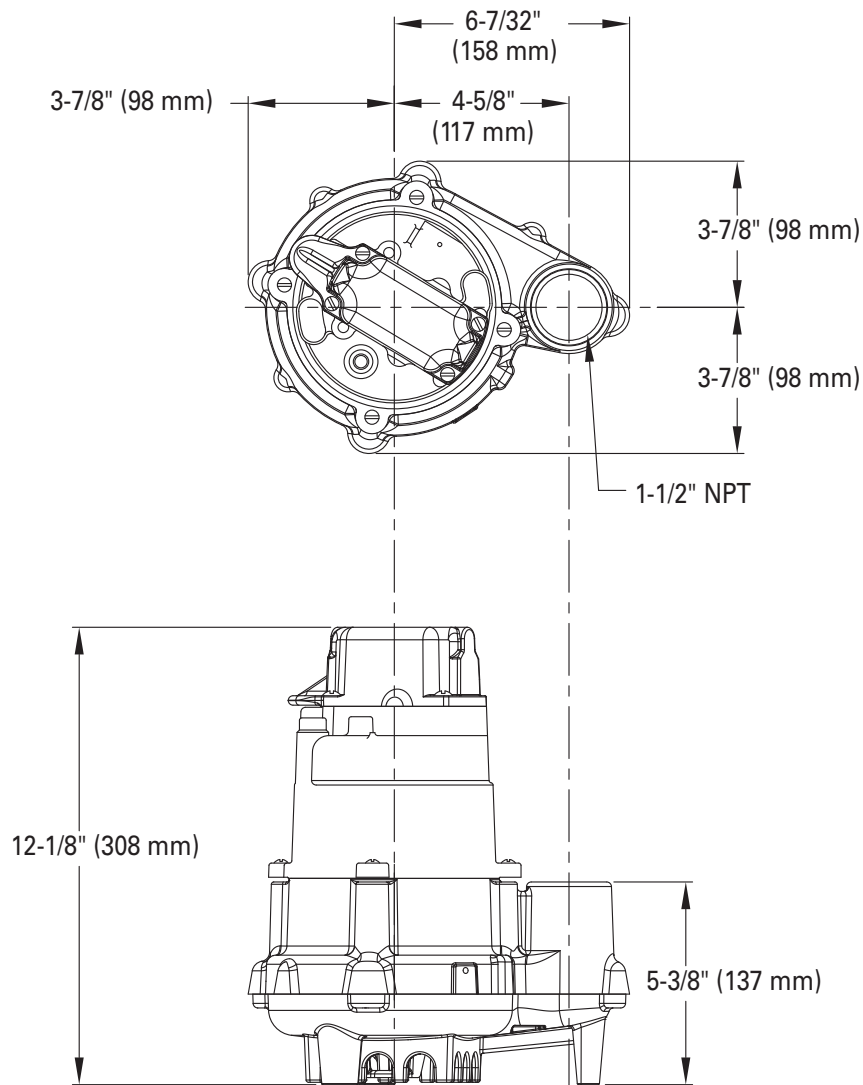
MAIL TO: P.O. BOX 16347 • Louisville, KY 40256-0347  
SHIP TO: 3649 Cane Run Road • Louisville, KY 40211-1961  
(502) 778-2731 • 1 (800) 928-PUMP • FAX (502) 774-3624

Visit our website:  
[zoellerengineered.com](http://zoellerengineered.com)

## 6155 COMMERCIAL EFFLUENT PUMP

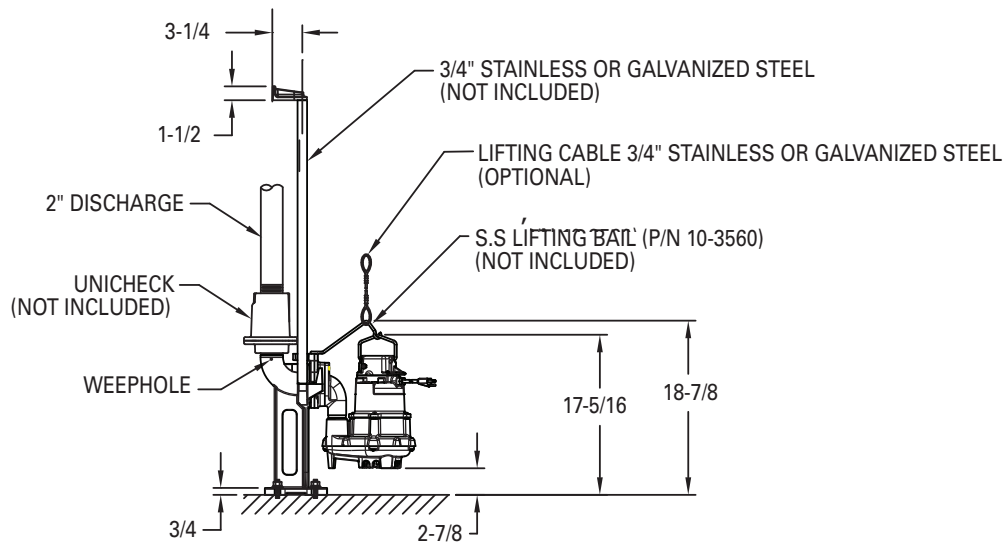
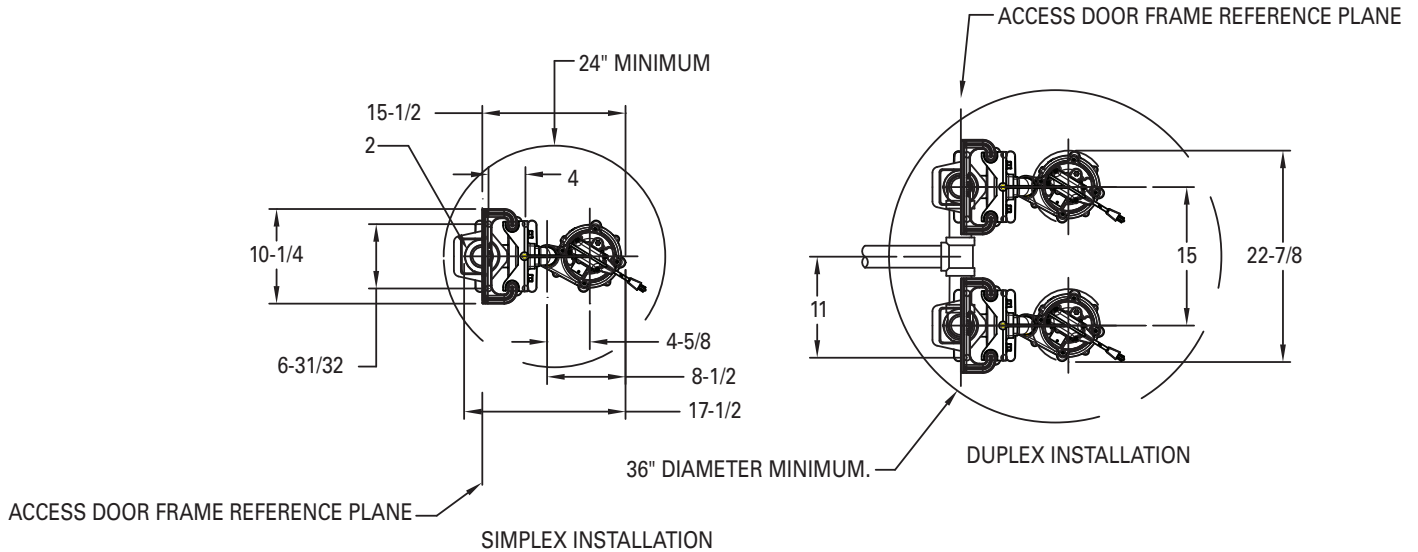
### DIMENSIONAL DATA

Floor Mounted



# 6155 COMMERCIAL EFFLUENT PUMP

## DIMENSIONAL DATA 1-1/2" Rail Mounted Z-Rail® Disconnect System



DIMENSIONS ARE BASED ON STANDARD ANSI FITTING SIZES. CHECK ARE VALVES REQUIRED, NOT SHOWN FOR CLARITY. ALL DIMENSIONS IN INCHES UNLESS OTHERWISE NOTED. MINIMUM SIZE IS FOR PHYSICAL FIT ONLY, PUMP VOLUME/OPERATION MAY REQUIRE LARGER BASIN. BASIN DEPTHS GREATER THAN 12' DEEP WILL REQUIRE A #39-0139 INTER MEDIATE STABILIZER BRACKET.

Discharge Size	Ductile Iron Upper Bracket	Stainless Steel Upper Bracket
1.5"	39-0131	39-0132
10-3560 Lifting Bail		