

Trusted. Tested. Tough.®

SECTION: Z3.50.140

ZM3052

0118

Supersedes

New

Product information presented here reflects conditions at time of publication. Consult factory regarding discrepancies or inconsistencies.



MAIL TO: P.O. BOX 16347 • Louisville, KY 40256-0347
 SHIP TO: 3649 Cane Run Road • Louisville, KY 40211-1961
 (502) 778-2731 • 1 (800) 928-PUMP • FAX (502) 774-3624

Visit our website:
 zoellerengineered.com

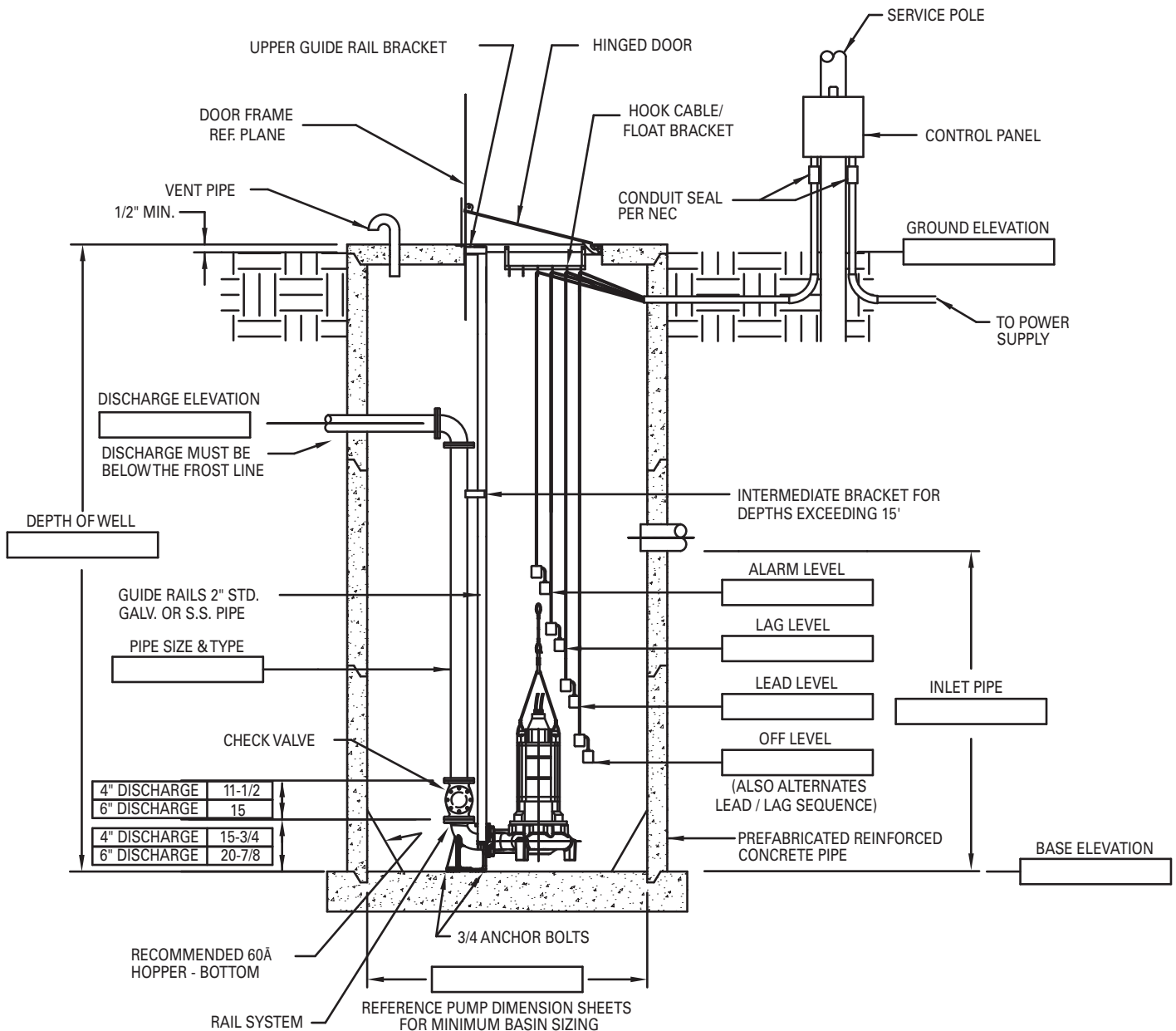


X64HD HAZARDOUS LOCATION SERIES LIFT STATION DIMENSIONAL DATA

25-60 BHP

4" & 6" Flanged Discharge

MODELS: X6424- X6428



X64HD HAZARDOUS LOCATION SERIES

LIFT STATION DIMENSIONAL DATA

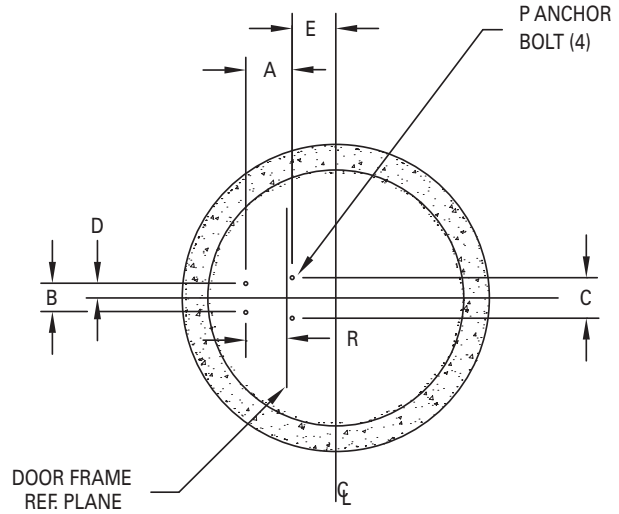
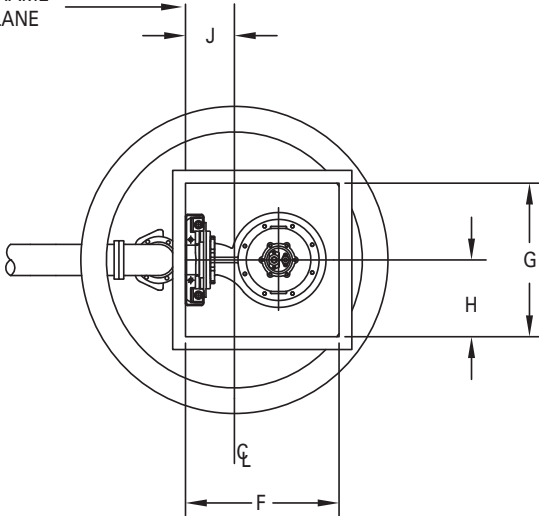
25-60 BHP

4" & 6" Flanged Discharge

MODELS: X6424-X6428

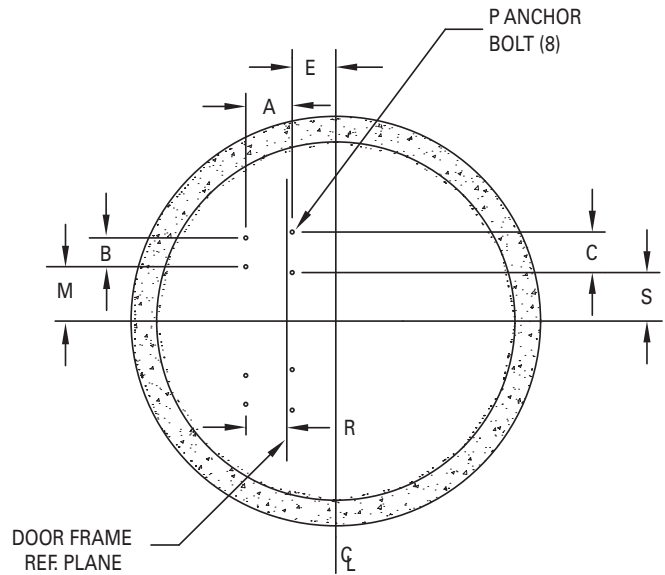
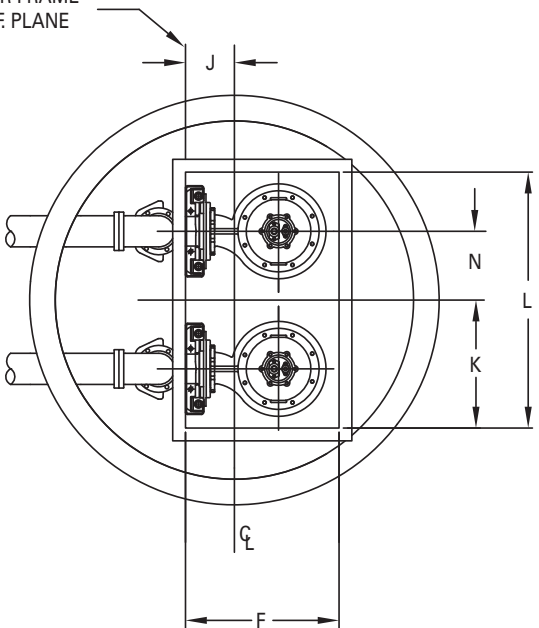


DOOR FRAME
REF PLANE



SIMPLEX DIMENSIONAL CHART											
NOM. SIZE	A	B	C	D	E	F	G	H	J	P	R
4" DISCHARGE	7-1/2	6	8-3/4	3	8	36	30	15	11-1/2	3/4	4
6" DISCHARGE	10-7/8	6-3/4	9-1/2	3-3/8	10-1/4	36	36	18	11-1/2	3/4	9-5/8

DOOR FRAME
REF PLANE



DUPLEX DIMENSIONAL CHART													
NOM. SIZE	A	B	C	E	F	J	K	L	M	N	P	R	S
4" DISCHARGE	7-1/2	6	8-3/4	8	36	11-1/2	24	48	10-1/8	13-1/8	3/4	4	8-3/4
6" DISCHARGE	10-7/8	6-3/4	9-1/2	10-1/4	36	11-1/2	30	60	12-3/4	16-1/8	3/4	9-5/8	11-3/8