

Trusted. Tested. Tough.®

Product information presented here reflects conditions at time of publication. Consult factory regarding discrepancies or inconsistencies.



Z1.10.105
ZM3045
0621
Supersedes
1220

MAIL TO: P.O. BOX 16347 • Louisville, KY 40256-0347
SHIP TO: 3649 Cane Run Road • Louisville, KY 40211-1961
(502) 778-2731 • 1 (800) 928-PUMP • FAX (502) 774-3624

Visit our website:
zoellerengineered.com



Certified to CSA
Standard C22.2 No.108.
tested to UL 778

6155 COMMERCIAL EFFLUENT PUMP TECHNICAL DATA



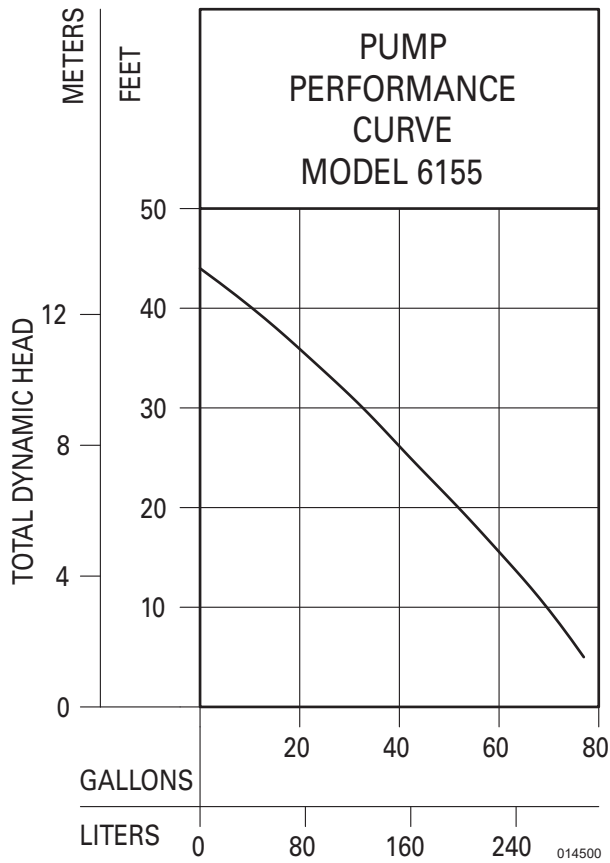
MODEL NUMBER:	<input type="checkbox"/> 6155
PUMP NAME PLATE HORSEPOWER:	1/2 HP
SOLID SIZE: in (mm)	3/4" (19mm)
MINIMUM HEAD: ft. (m)	5.0' (1.5m)
MAXIMUM HEAD: ft. (m)	44' (13.4m)
MAX.FLOW GPM (L/min) @ MIN. HEAD ft. (m)	77 GPM @ 5' (291 L/min @ 1.5m)
DISCHARGE SIZE: VERTICAL FEMALE	<input type="checkbox"/> 1-1/2 NPT

PUMP NET WEIGHT: lbs (kg)	37 lbs (16.8 kg)	MOTOR TYPE:	SUBMERSIBLE
SERVICE FACTOR:	1.0	POWER CORD LENGTH: ft (m) 230V = SOOW 115V = SJOOW	20' (6.1m) <input type="checkbox"/> _____'
MOTOR DESIGN LETTER:	NEMA B	MOTOR SHAFT:	AISI 1215 STEEL
IMPELLER TYPE:	PLASTIC	STATOR INSULATION:	CLASS B
SQUARE RING AND COVER GASKET:	VITON	LEAD WIRES INSULATION:	CLASS B
RPM:	3450	MAXIMUM STATOR TEMPERATURE:	266 °F (130 °C)

SHAFT SEAL CONSTRUCTION:	STANDARD	SILICON CARBIDE/ CARBON
MOTOR THERMAL SHUTOFF:	STANDARD	THERMAL OVERLOAD SWITCH WITH AUTOMATIC RESET
MAXIMUM WATER TEMPERATURE:		130 °F (54 °C)

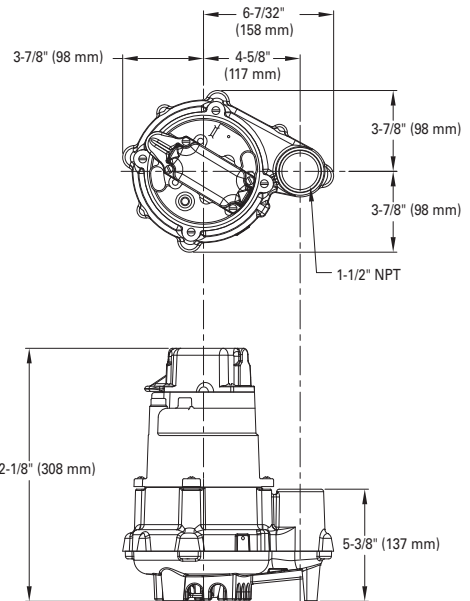
ELECTRICAL DATA

MODEL	HP	<input type="checkbox"/> 115 V / 1 Ph		<input type="checkbox"/> 230 V / 1 Ph	
		FLA	LRA	FLA	LRA
<input type="checkbox"/> 6155	1/2	10.5	17.1	5.3	8.6



MODEL		6155	
Feet	Meters	Gal.	Liters
5	1.5	77	291
10	3.0	70	265
15	4.6	61	231
20	6.1	52	197
25	7.6	42	159
30	9.1	33	125
35	10.7	22	83
40	12.2	11	42
Shut-off Head:		44 ft. (13.4 m)	

014500



SK2064

Models	Control Selection			Listings	
	Volts	Ph	Amps	UL	CSA
*N6155	115	1	10.5	no	yes
*E6155	230	1	5.3	no	yes

* Molded Plug

** Pumps are available with optional moisture sensors. Seal Fail indicator light available in NEMA 4X control panels.

FEATURES

- Motor - 1/2 HP, 60 Hz, 3450 RPM, 1 PH, oil filled, hermetically sealed, automatic reset, thermal overload protected (1 PH)
- Lower ball bearing
- Motor shaft - AISI 1215 STEEL
- Mechanical shaft seal silicon carbide/carbon
- Viton O-ring seal and cover gasket
- Impeller - engineered thermoplastic
- 20' foot neoprene cord with plug
- No screens to clog
- Stainless steel screws, bolts and handle
- 1-1/2" NPT discharge
- Corrosion resistant powder coated epoxy finish
- 100% computerized tested

CAUTION

All installation of controls, protection devices and wiring should be done by a qualified licensed electrician. All electrical and safety codes should be followed including the most recent National Electric Code (NEC) and the Occupational Safety and Health Act (OSHA).