

Product information presented here reflects conditions at time of publication. Consult factory regarding discrepancies or inconsistencies.

**MAIL TO:** P.O. BOX 16347 • Louisville, KY 40256-0347  
**SHIP TO:** 3649 Cane Run Road • Louisville, KY 40211-1961  
(502) 778-2731 • 1 (800) 928-PUMP • **FAX** (502) 774-3624

**Visit our web site:**  
[zoellerengineered.com](http://zoellerengineered.com)

## REPLACEMENT PARTS LIST FOR 7008 GRINDER MODELS:

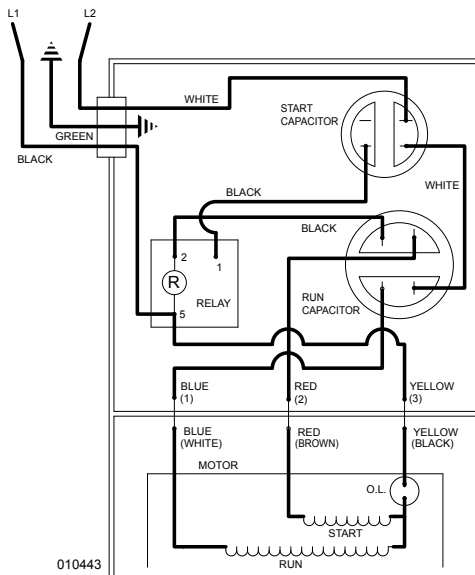
- N7008 NONAUTOMATIC 115V 1PH**
- E7008 NONAUTOMATIC 230V 1PH**
- I7008 NONAUTOMATIC 200V 1PH**
- WM7008 AUTOMATIC w/wired float switch 115V 1PH**
- WD7008 AUTOMATIC w/wired float switch 230V 1PH**
- WH7008 AUTOMATIC w/wired float switch 200V 1PH**
- J7008 NONAUTOMATIC 200 V 3PH**
- F7008 NONAUTOMATIC 230 V 3PH**
- K7008 NONAUTOMATIC 380 V 3PH**
- G7008 NONAUTOMATIC 460 V 3PH**
- BA7008 NONAUTOMATIC 575 V 3PH**

Consult factory for all other models

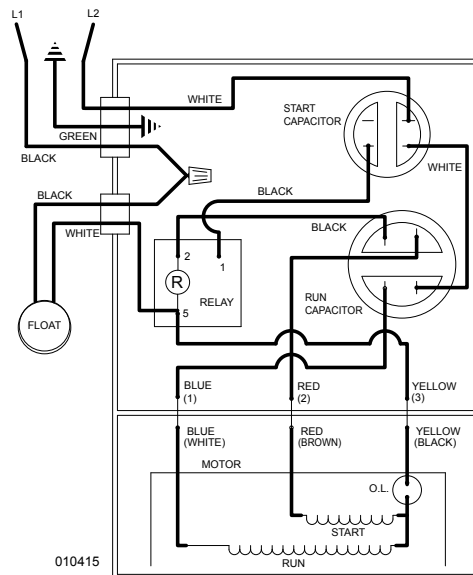
### TO ORDER REPLACEMENT PARTS:

#### PLEASE FURNISH THE FOLLOWING INFORMATION:

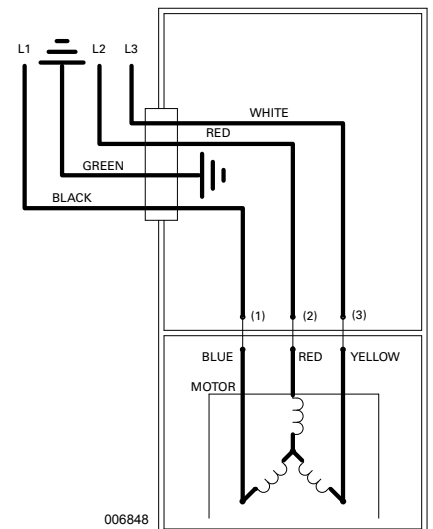
- Model Number
- Part Number of Pump
- Part Number and Description of part



010443  
WIRING DIAGRAM FOR MODELS  
"N7008", "E7008", "I7008"  
All Revisions



010415  
WIRING DIAGRAM FOR MODELS  
"WM7008", "WD7008", "WH7008"  
All Revisions



006848  
WIRING DIAGRAM FOR MODELS  
"J7008", "F7008", "K7008",  
"G7008", and "BA7008" All Revisions  
09/17 thru Current



# REPLACEMENT PARTS LIST FOR MODELS "J7008", "F7008", "K7008", "G7008" & "BA7008"

See back page for illustration.

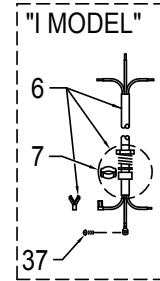
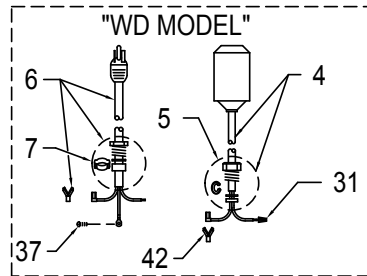
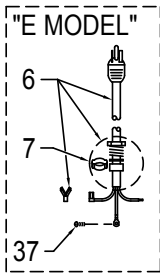
| REF NO. | DESCRIPTION                                    | QTY | NOTE | MODELS:            |                    |                    |                    |                    |
|---------|--|-----|------|--------------------|--------------------|--------------------|--------------------|--------------------|
|         |  |     |      | J7008-A            | F7008-A            | K7008-A            | G7008-A            | BA7008-A           |
|         |  |     |      | 09/17 thru Current | 09/17 thru Current | 09/17 thru Current | 09/17 thru Current | 09/17 thru Current |
| 1       | • HANDLE                                       | 1   |      | 217069             | 217069             | 217069             | 217069             | 217069             |
| 2       | COVER AND CORD 3PH/NONAUTO "7008"              | 1   |      | 154717             | 154717             | 154717             | 154717             | 154717             |
| 3       | COVER-MACH & HANDLE ASM                        | 1   |      | 015612             | 015612             | 015612             | 015612             | 015612             |
| 4       | SWITCH, FLT-TERM & SEAL                        | 0   |      | N/A                | N/A                | N/A                | N/A                | N/A                |
| 5       | SEAL, CORD-FLOAT SWITCH                        | 0   |      | N/A                | N/A                | N/A                | N/A                | N/A                |
| 6       | CORD TERM & SEAL                               | 1   |      | 014177             | 014177             | 014177             | 014177             | 014177             |
| 7       | • SEAL, CORD-ASM & STR RLF                     | 1   |      | 015634             | 015634             | 015634             | 015634             | 015634             |
| 8       | • GASKET, CASE/COVER                           | 1   |      | 012649             | 012649             | 012649             | 012649             | 012649             |
| 9       | • WIRE PKG (6 WIRES)                           | 0   |      | N/A                | N/A                | N/A                | N/A                | N/A                |
| 10      | CAPACITOR-START & CLAMP ASM                    | 0   |      | N/A                | N/A                | N/A                | N/A                | N/A                |
| 11      | CAPACITOR-RUN & CLAMP ASM                      | 0   |      | N/A                | N/A                | N/A                | N/A                | N/A                |
| 12      | RELAY, VOLTAGE SENSING                         | 0   |      | N/A                | N/A                | N/A                | N/A                | N/A                |
| 13      | • PLUG, TEST                                   | 2   |      | 015023             | 015023             | 015023             | 015023             | 015023             |
| 14      | • SEAL, THRU WALL TERM                         | 3   |      | 003402             | 003402             | 003402             | 003402             | 003402             |
| 15      | HOUSING, MTR & STR                             | 1   | 4    | 154676             | 154677             | 154678             | 154679             | 154670             |
| 16      | • BEARING, 6201                                | 1   |      | 006703             | 006703             | 006703             | 006703             | 006703             |
| 17      | KEY  | 1   |      | 011711             | 011711             | 011711             | 011711             | 011711             |
| 18      | ROTOR & BRG ASM 3PH "7008"                     | 1   |      | 154698             | 154698             | 154698             | 154698             | 154698             |
| 19      | • BEARING, 7303                                | 1   |      | 009861             | 009861             | 009861             | 009861             | 009861             |
| 20      | • SEAL, MTR HSG                                | 1   |      | 012648             | 012648             | 012648             | 012648             | 012648             |
| 21      | • OIL, DIALECTRIC                              | 1   |      | 018233             | 018233             | 018233             | 018233             | 018233             |
| 22      | ADAPTER-MACH                                   | 1   |      | 001003             | 001003             | 001003             | 001003             | 001003             |
| 23      | • SEAL, SHAFT                                  | 1   |      | 014675             | 014675             | 014675             | 014675             | 014675             |
| 24      | WASHER, SUPPORT-SS                             | 1   |      | 010863             | 010863             | 010863             | 010863             | 010863             |
| 25      | COLLAR, SHAFT                                  | 1   |      | 010409             | 010409             | 010409             | 010409             | 010409             |
| 26      | IMPELLER-PLASTIC "7008"                        | 1   |      | 153909             | 153909             | 153909             | 153909             | 153909             |
| 27      | HOUSING, PUMP-MACH "7008"                      | 1   |      | 154088             | 154088             | 154088             | 154088             | 154088             |
| 28      | CUTTER & DISC ASM "7008"                       | 1   |      | 154292             | 154292             | 154292             | 154292             | 154292             |
| 29      | CUTTER SHIM SET                                | 1   |      | 012632             | 012632             | 012632             | 012632             | 012632             |
| 30      | WASHER, RETAINING                              | 1   |      | 008533             | 008533             | 008533             | 008533             | 008533             |
| 31      | CONNECTOR,WIRENUT 14-16GA                      | 0   |      | N/A                | N/A                | N/A                | N/A                | N/A                |
| 32      | • SCREW, .25-20 X .75" SH CAP SS               | 6   |      | 007768             | 007768             | 007768             | 007768             | 007768             |
| 33      | • SCREW, .25-20 X .75" HH SS (NYLOCK)          | 1   |      | 009545             | 009545             | 009545             | 009545             | 009545             |
| 34      | • SCREW, .313-18 X 1" HH CAP SS                | 4   |      | 002608             | 002608             | 002608             | 002608             | 002608             |
| 35      | • SCREW, .25-20 X 1" HHM SS                    | 4   |      | 007790             | 007790             | 007790             | 007790             | 007790             |
| 36      | • SCREW, .25-20 X .75" HHM SS/INDENTED/UNSLLOT | 4   |      | 001916             | 001916             | 001916             | 001916             | 001916             |
| 37      | • SCREW, #6-32X.25RHM SL TC STLGR              | 1   |      | 001877             | 001877             | 001877             | 001877             | 001877             |
| 38      | • SPRING, BEARING PRELOAD                      | 1   |      | 017192             | 017192             | 017192             | 017192             | 017192             |
| 39      | • SCREW, #6-32X.375RHM SL TC ZINC PLATED       | 0   |      | N/A                | N/A                | N/A                | N/A                | N/A                |
| 40      | DISC, CUTTER                                   | 1   |      | 153203             | 153203             | 153203             | 153203             | 153203             |
| 41      | CUTTER & SHIM ASM/2 BLADE/.75" SCREW           | 1   |      | 154295             | 154295             | 154295             | 154295             | 154295             |
| 42      | INSULATOR FLAG TERMINAL                        | 0   |      | N/A                | N/A                | N/A                | N/A                | N/A                |
|         | REBUILD KIT                                    | 1   |      | 151477             | 151477             | 151477             | 151477             | 151477             |

- Items included in Rebuild Kit.
- ☐ Not Shown in Illustration.

## NOTES:

- 1) See FM0160 price sheet for listing of parts prices.
- 2) "N/A" indicates, not applicable.
- 3) If an "X" follows Model No., or Date Mfg. on brass ID tag, consult factory for ordering of this part.
- 4) Housing, MTR & Stator (Item 15) is preassembled at factory and must be replaced as a unit. Stator is permanently attached to the Motor Housing. Plug (Item 13) and Seal, thru Wall Term. (Item 14) and Bearing (Item 16) are replaceable.

# REPLACEMENT PARTS ILLUSTRATION FOR 7008 - ALL MODELS



APPLICABLE CORD, SEAL & GROUND SCREW

