

Trusted. Tested. Tough.™

Product information presented here reflects conditions at time of publication. Consult factory regarding discrepancies or inconsistencies.



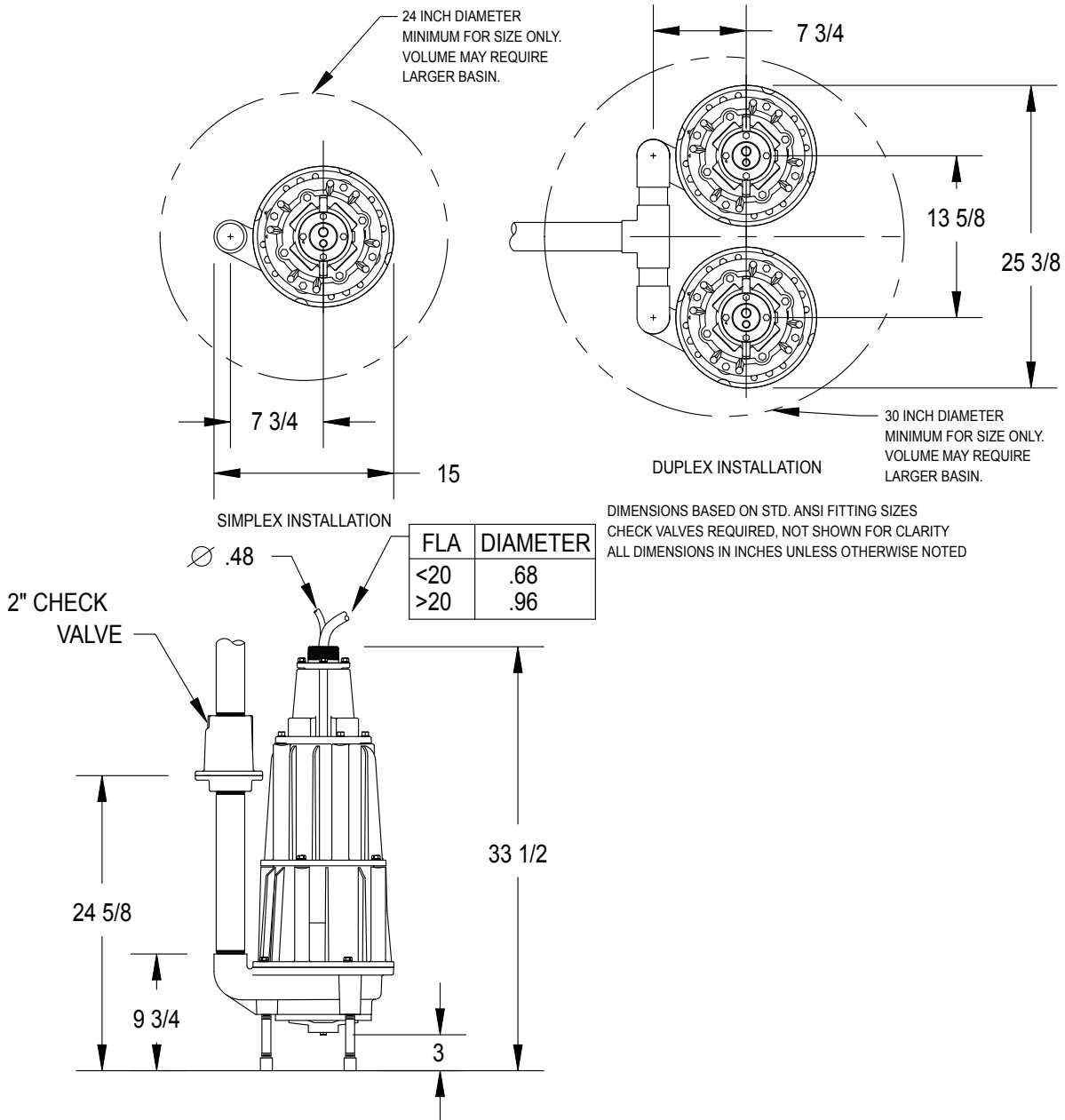
SECTION: Z4.30.135  
 ZM2544  
 1015  
 Supersedes  
 1209

MAIL TO: P.O. BOX 16347 • Louisville, KY 40256-0347  
 SHIPTO: 3649 Cane Run Road • Louisville, KY 40211-1961  
 (502) 778-2731 • 1 (800) 928-PUMP • FAX (502) 774-3624

visit our web site:  
[zoellerengineered.com](http://zoellerengineered.com)



**X71 HAZARDOUS ENVIRONMENT SERIES**  
**CLASS I, DIVISION 1, GROUPS C & D**  
**GRINDER PUMPS DIMENSIONAL DATA**  
 3, 5, & 7½ HP - 3450 RPM  
 2" NPT Vertical Discharge Units  
 Floor Mounted



NOTE: All dimensions in inches unless otherwise noted.

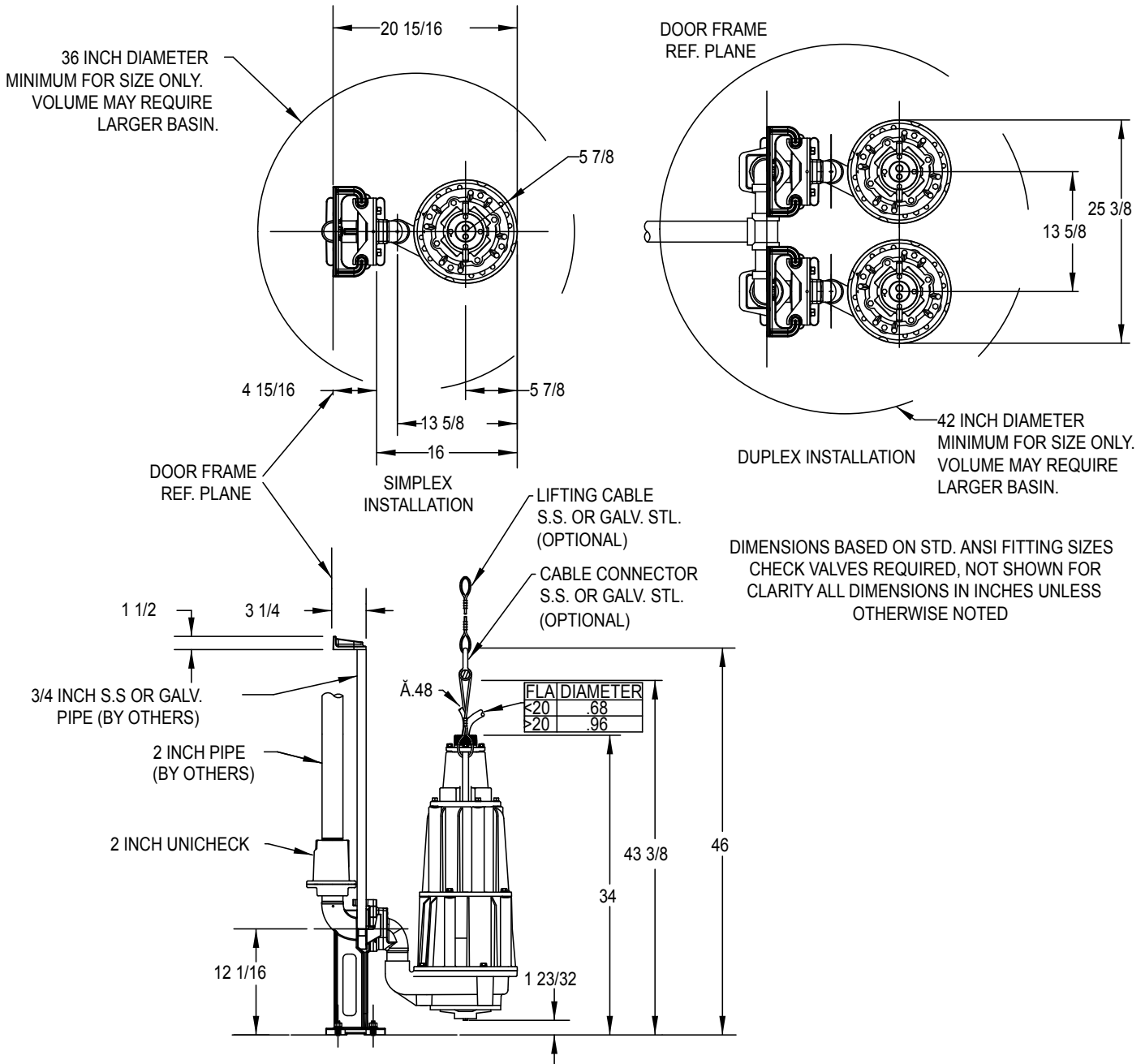
© Copyright 2015 Zoeller® Co. All rights reserved.

See Reverse Side for "Rail Mounted"

ZEPA0628



**X71 HAZARDOUS ENVIRONMENT SERIES**  
**CLASS I, DIVISION 1, GROUPS C & D**  
**GRINDER PUMPS DIMENSIONAL DATA**  
**3, 5, & 7½ HP - 3450 RPM**  
**2" NPT Vertical Discharge Units**  
**P/N 39-0147, 39-0149 Rail Mounted**



ZEPA0629

NOTE: All dimensions in inches unless otherwise noted.

See Reverse Side for "Floor Mounted"

© Copyright 2015 Zoeller® Co. All rights reserved.