

Trusted. Tested. Tough.®

SECTION: Z3.40.130

ZM2531

1021

Supersedes

0318

Product information presented here reflects conditions at time of publication. Consult factory regarding discrepancies or inconsistencies.



MAIL TO: P.O. BOX 16347 • Louisville, KY 40256-0347  
 SHIP TO: 3649 Cane Run Road • Louisville, KY 40211-1961  
 (502) 778-2731 • 1 (800) 928-PUMP • FAX (502) 774-3624

Visit our website:  
 zoellerengineered.com



## X62 HD HAZARDOUS LOCATION SERIES

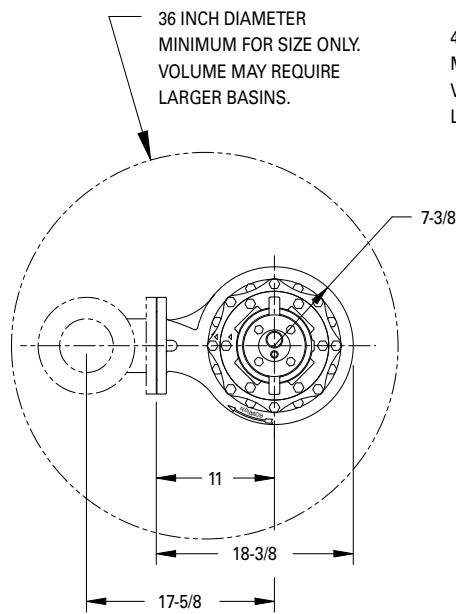
CLASS I, DIVISION 1, GROUPS C & D

DIMENSIONAL DATA

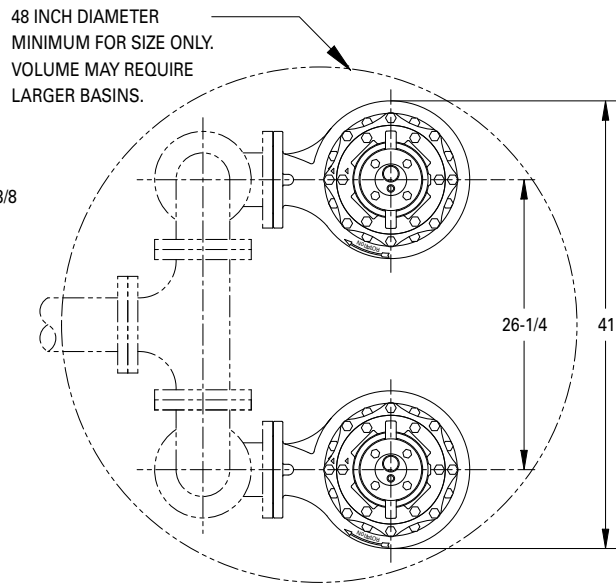
4" Flanged Discharge Units

Floor Mounted

Models: X6220 - X6224



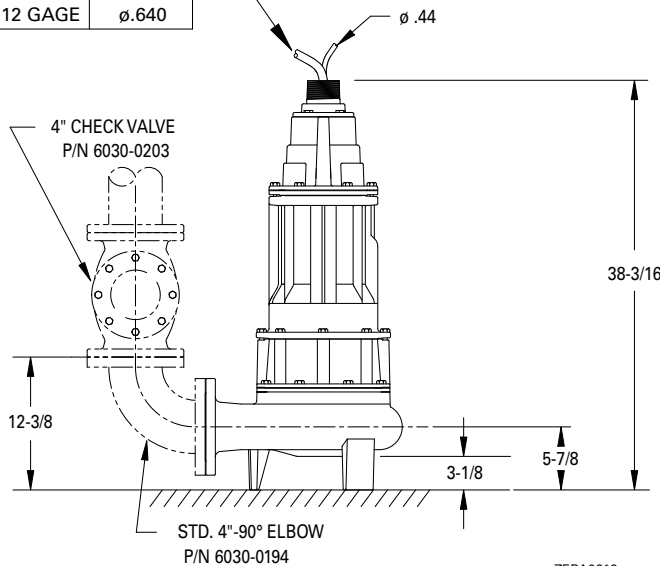
SIMPLEX INSTALLATION



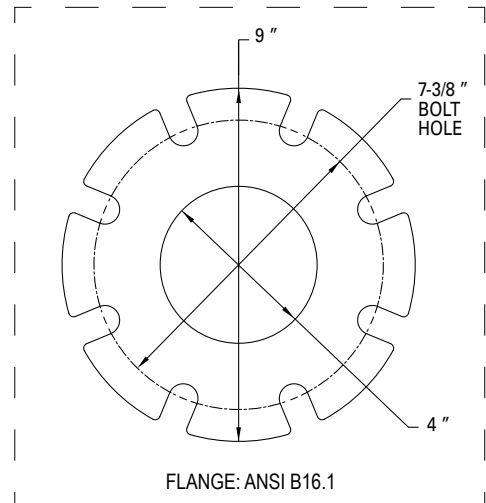
DUPLEX INSTALLATION

DIMENSIONS BASED ON STD. ANSI FITTING SIZES  
 CHECK VALVES REQUIRED, NOT SHOWN FOR CLARITY

4 GAGE	ø1.350
8 GAGE	ø.930
12 GAGE	ø.640



ZEPA0619



NOTE: All dimensions in inches unless otherwise noted.

© Copyright 2021 Zoeller® Co. All rights reserved.

See Reverse Side for "Rail Mounted"



# X62 HD HAZARDOUS LOCATION SERIES

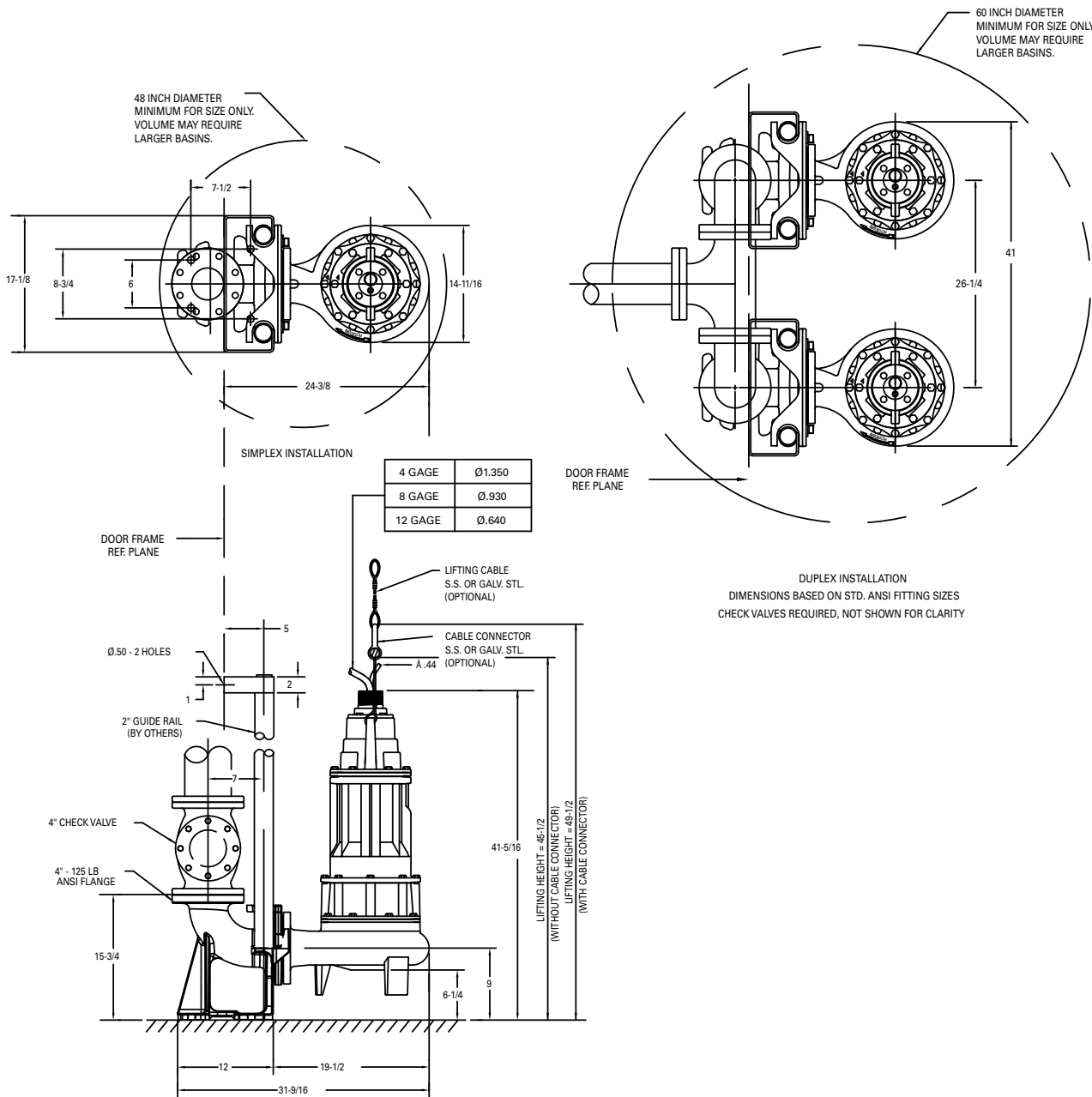
CLASS I, DIVISION 1, GROUPS C & D

DIMENSIONAL DATA

4" Flanged Discharge Units

P/N 39-0155 Rail Mounted

Models: X6220 - X6224



ZEPA0620

NOTE: All dimensions in inches unless otherwise noted.

See Reverse Side for "Floor Mounted"

© Copyright 2021 Zoeller® Co. All rights reserved.