

Trusted. Tested. Tough.®

Product information presented here reflects conditions at time of publication. Consult factory regarding discrepancies or inconsistencies.



SECTION: Z2.20.140

ZM2311

0621

Supersedes

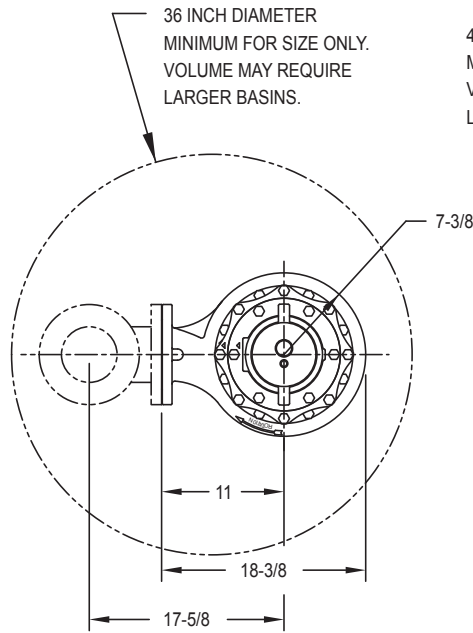
0418

MAIL TO: P.O. BOX 16347 • Louisville, KY 40256-0347  
 SHIP TO: 3649 Cane Run Road • Louisville, KY 40211-1961  
 (502) 778-2731 • 1 (800) 928-PUMP • FAX (502) 774-3624

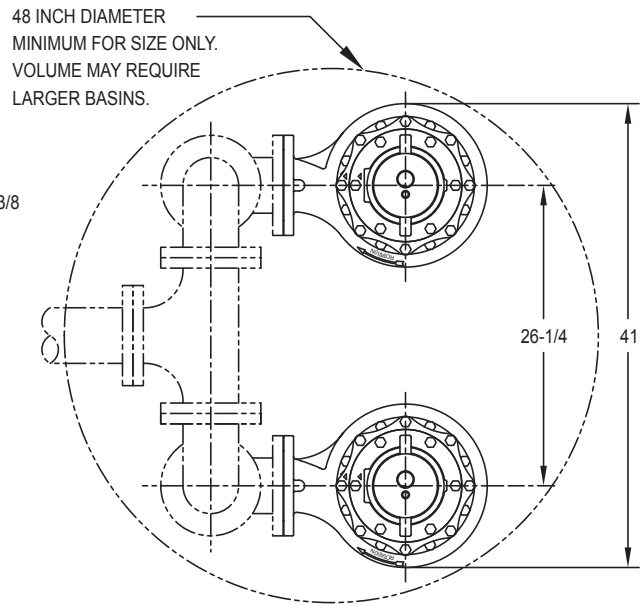
Visit our website:  
 zoellerengineered.com



**62 HD SERIES**  
 DIMENSIONAL DATA  
 4" FLANGED DISCHARGE UNITS  
 Floor Mounted  
 Models: 6220 - 6224



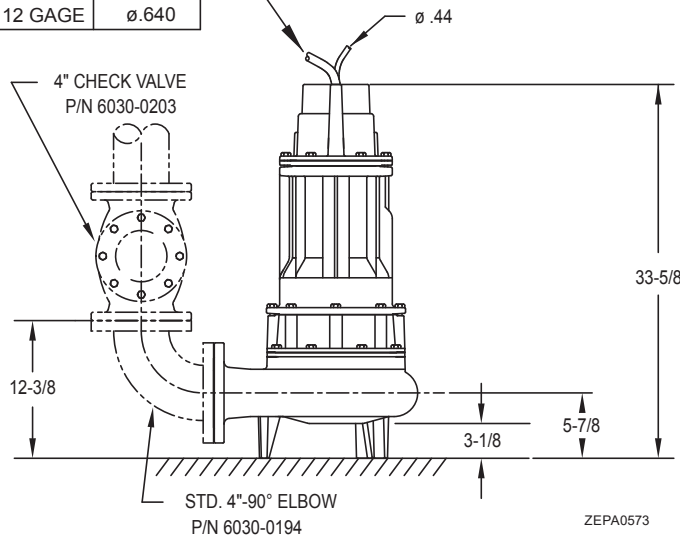
SIMPLEX INSTALLATION



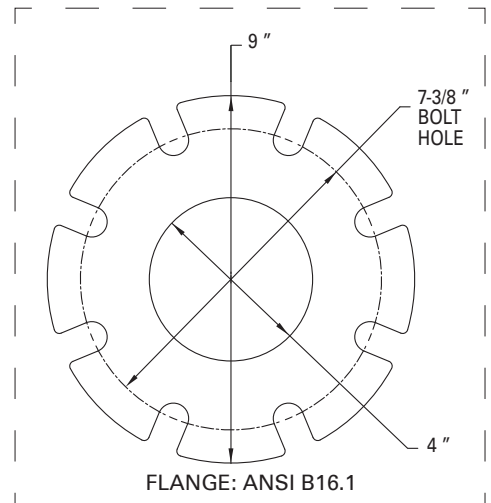
DUPLEX INSTALLATION

DIMENSIONS BASED ON STD. ANSI FITTING SIZES  
 CHECK VALVES REQUIRED, NOT SHOWN FOR CLARITY

4 GAGE	ø1.350
8 GAGE	ø.930
12 GAGE	ø.640



ZEPA0573



NOTE: All dimensions in inches unless otherwise noted.

© Copyright 2021 Zoeller Co. All rights reserved.

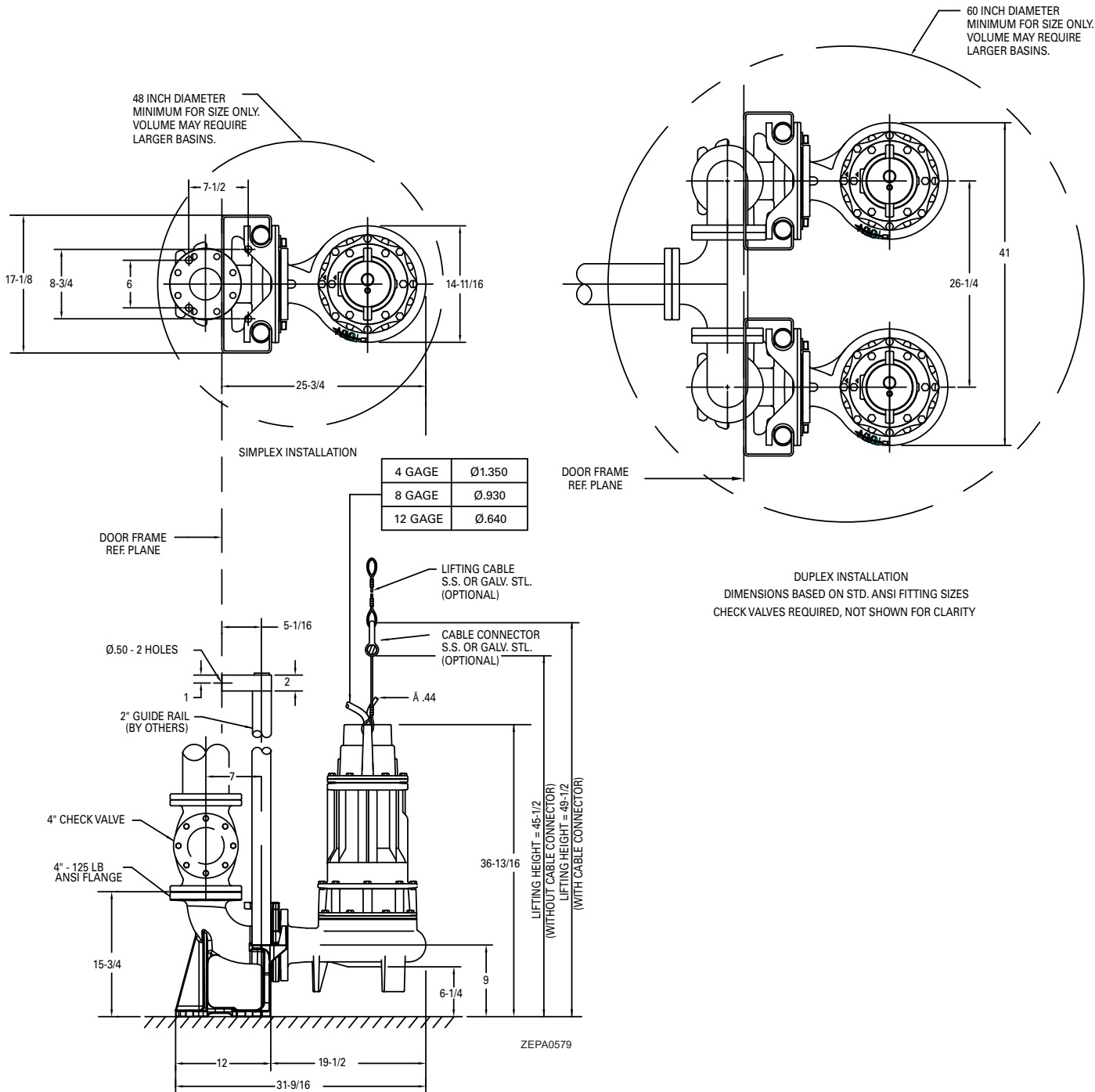
See Reverse Side for "Rail Mounted"

# 62 HD SERIES

## DIMENSIONAL DATA

### 4" FLANGED DISCHARGE UNITS

*P/N 39-0154 Rail Mounted*  
*Models: 6220 - 6224*



NOTE: All dimensions in inches unless otherwise noted.

See Reverse Side for "Floor Mounted"