

Trusted. Tested. Tough.®

Product information presented here reflects conditions at time of publication. Consult factory regarding discrepancies or inconsistencies.



SECTION: Z4.30.140

ZM2231

0920

Supersedes

0808

MAIL TO: P.O. BOX 16347 • Louisville, KY 40256-0347  
SHIP TO: 3649 Cane Run Road • Louisville, KY 40211-1961  
(502) 778-2731 • 1 (800) 928-PUMP • FAX (502) 774-3624

Visit our website:  
zoellerengineered.com



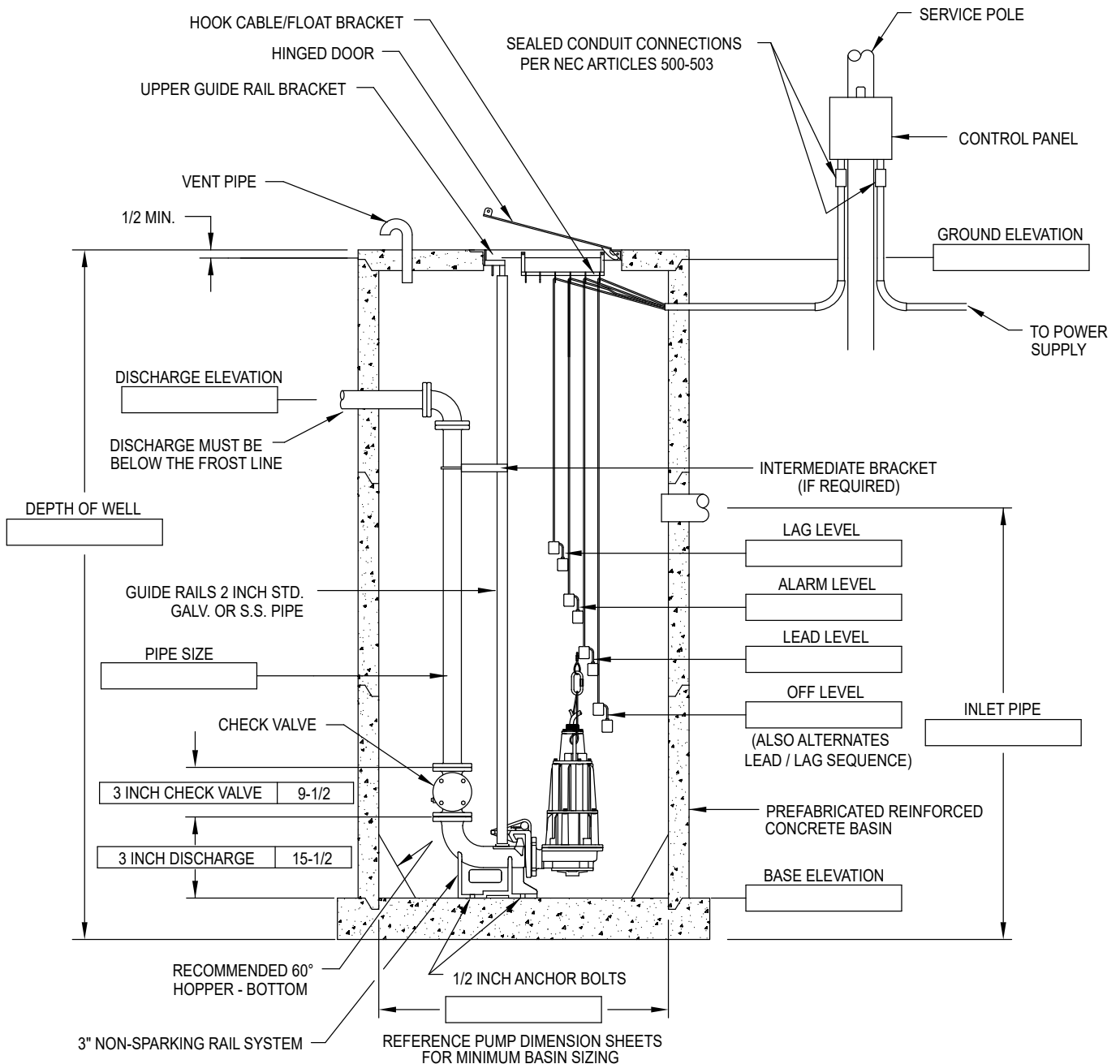
### X71 HAZARDOUS LOCATION SERIES

CLASS I, DIVISION 1, GROUPS C & D

CLASS I, ZONE 1, GROUPS IIA & IIB

LIFT STATION DIMENSIONAL DATA

3" Discharge Piping



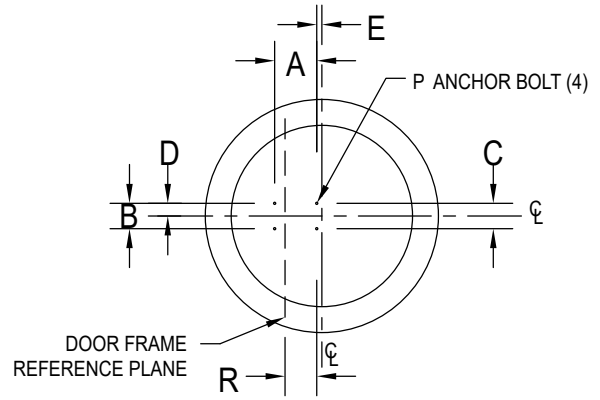
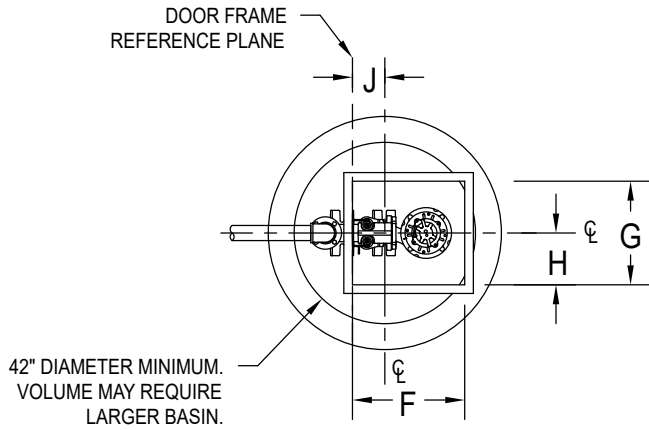
# X71 HAZARDOUS LOCATION SERIES

CLASS I, DIVISION 1, GROUPS C & D

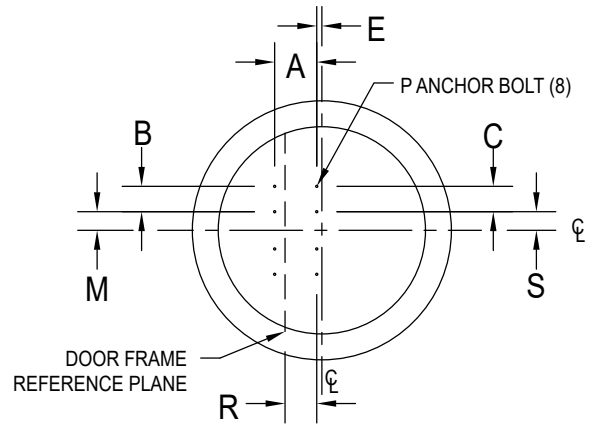
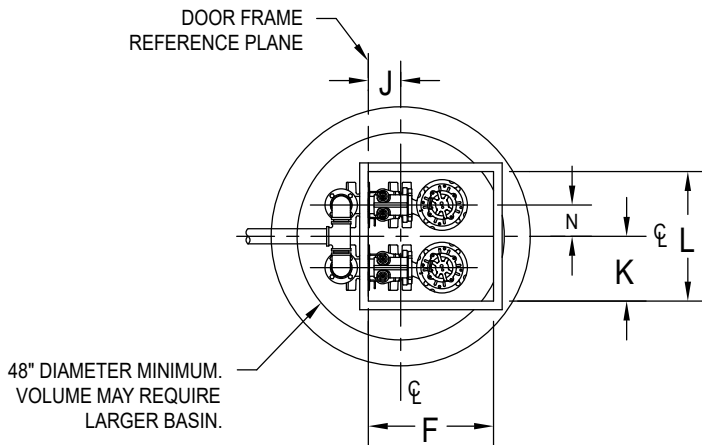
CLASS I, ZONE 1, GROUPS IIA & IIB

LIFT STATION DIMENSIONAL DATA

*2" & 3" Discharge Piping*



SIMPLEX DIMENSIONAL CHART (ALL DIMENSIONS IN INCHES)											
NOM. SIZE	A	B	C	D	E	F	G	H	J	P	R
2" VERTICAL	4	7	7	3-1/2	3-7/16	26	24	12	8	1/2	4-9/16
3" HORIZONTAL	9-3/4	5-7/8	5-7/8	2-15/16	3/16	26	24	12	7-1/2	1/2	7-11/32



DUPLEX DIMENSIONAL CHART (ALL DIMENSIONS IN INCHES)													
NOM. SIZE	A	B	C	E	F	J	K	L	M	N	P	R	S
2" VERTICAL	4	7	7	6-15/16	29	11-1/2	15	30	3-3/4	7-1/4	1/2	4-9/16	3-3/4
3" HORIZONTAL	9-3/4	5-7/8	5-7/8	3/16	29	7-1/2	15	30	4-5/8	7-1/4	1/2	7-11/32	4-5/16