

Trusted. Tested. Tough.™

Product information presented here reflects conditions at time of publication. Consult factory regarding discrepancies or inconsistencies.



SECTION: Z3.30.180

ZM2229

0715

Supersedes

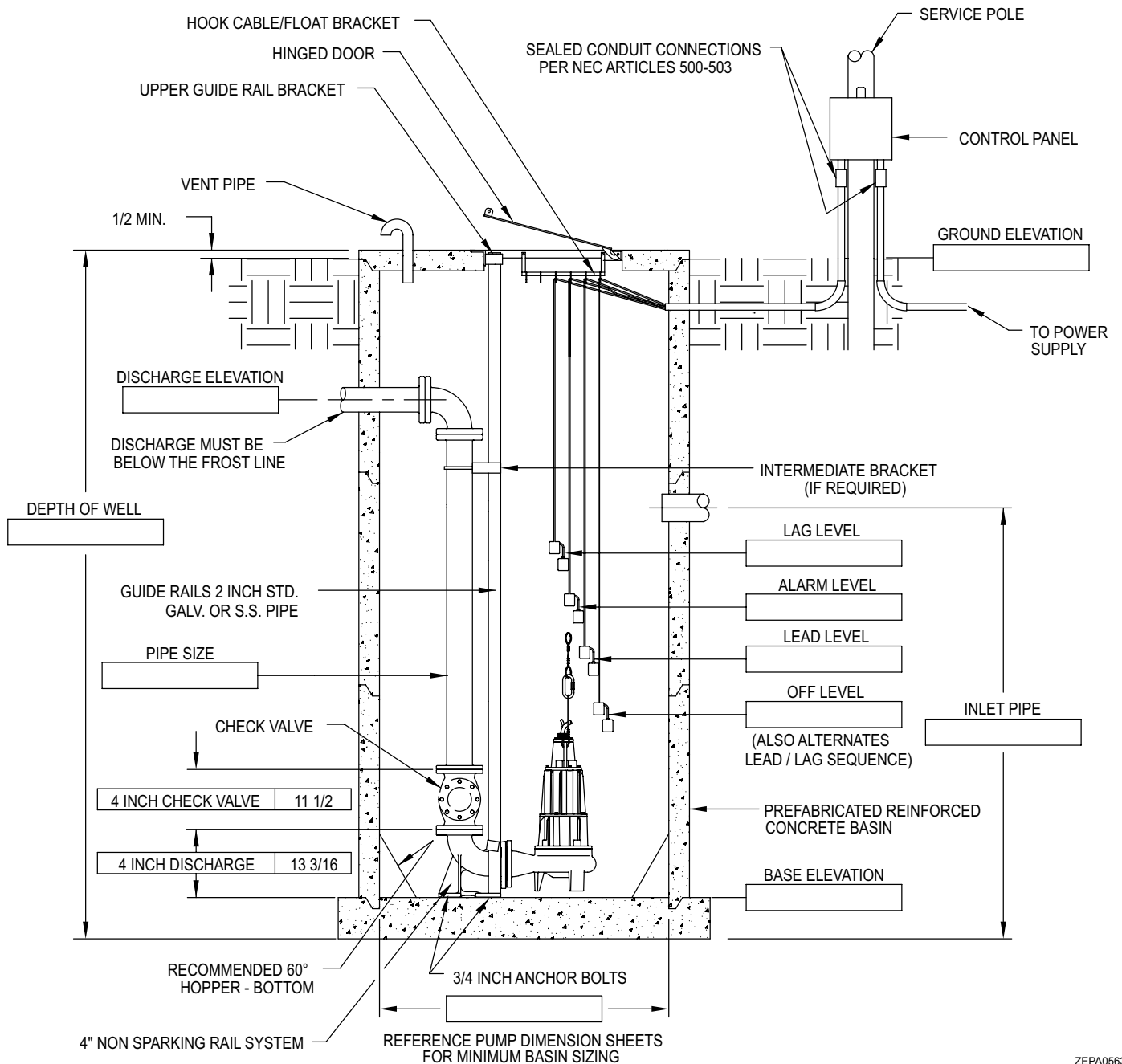
0304

MAIL TO: P.O. BOX 16347 • Louisville, KY 40256-0347
SHIP TO: 3649 Cane Run Road • Louisville, KY 40211-1961
 (502) 778-2731 • 1 (800) 928-PUMP • **FAX:** (502) 774-3624

visit our web site:
zoellerengineered.com

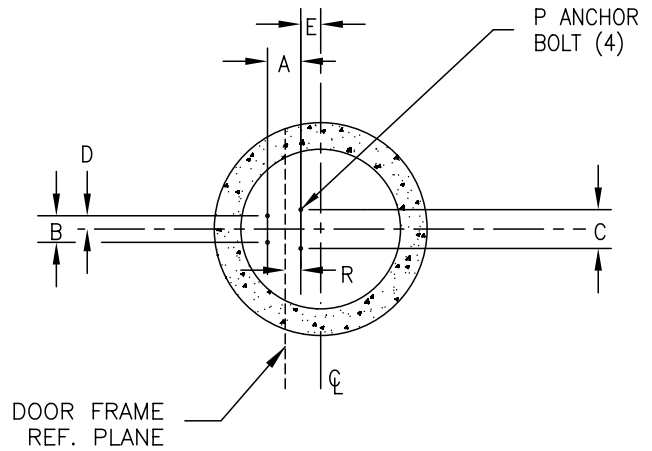
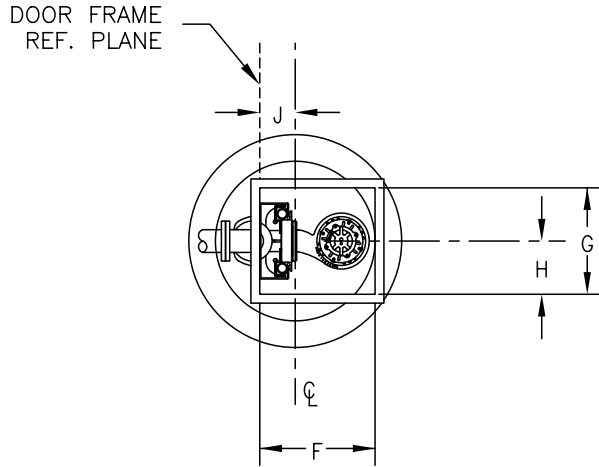


X61 HD SERIES LIFT STATION DIMENSIONAL DATA 4" Discharge Piping

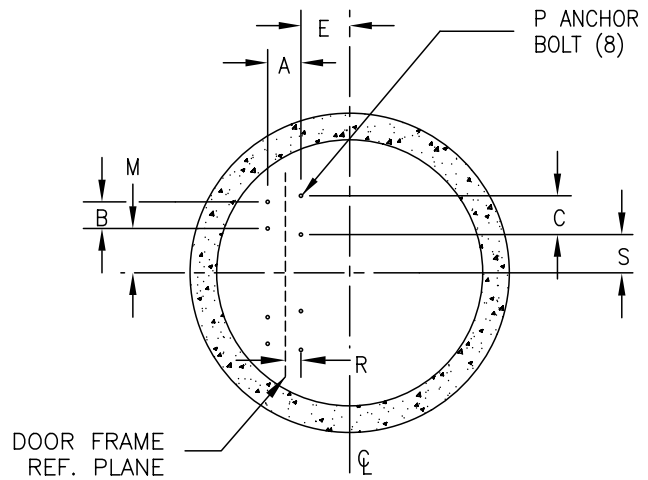
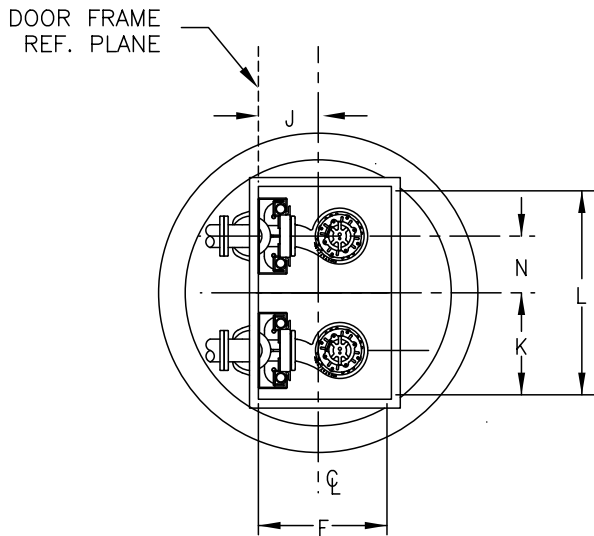


ZEPA0563

X61 HD SERIES LIFT STATION DIMENSIONAL DATA



SIMPLEX DIMENSIONAL CHART											
NOM. SIZE	A	B	C	D	E	F	G	H	J	P	R
3" VERTICAL	4	7	7	3 1/2	3 3/8	26	24	12	8	1/2	4 9/16
3" HORIZONTAL	9 3/4	5 7/8	5 7/8	2 15/16	3/16	26	24	12	7 1/2	1/2	7 11/32
4" DISCHARGE	7 1/2	6	8 3/4	3	4 1/2	26	24	12	8	3/4	3 1/2



DUPLEX DIMENSIONAL CHART													
NOM. SIZE	A	B	C	E	F	J	K	L	M	N	P	R	S
3" VERTICAL	4	7	7	7 7/8	29	12 7/16	15	30	4	7 1/2	1/2	4 9/16	4
3" HORIZONTAL	9 3/4	5 7/8	5 7/8	3/16	29	7 1/2	15	30	4 5/16	7 1/4	1/2	7 11/32	4 5/16
4" DISCHARGE	7 1/2	6	8 3/4	8	30	11 1/2	24	48	10 1/8	13 1/8	3/4	3 1/2	8 3/4