

Trusted. Tested. Tough.™

Product information presented here reflects conditions at time of publication. Consult factory regarding discrepancies or inconsistencies.



SECTION: Z3.30.170

ZM2228

0418

Supersedes

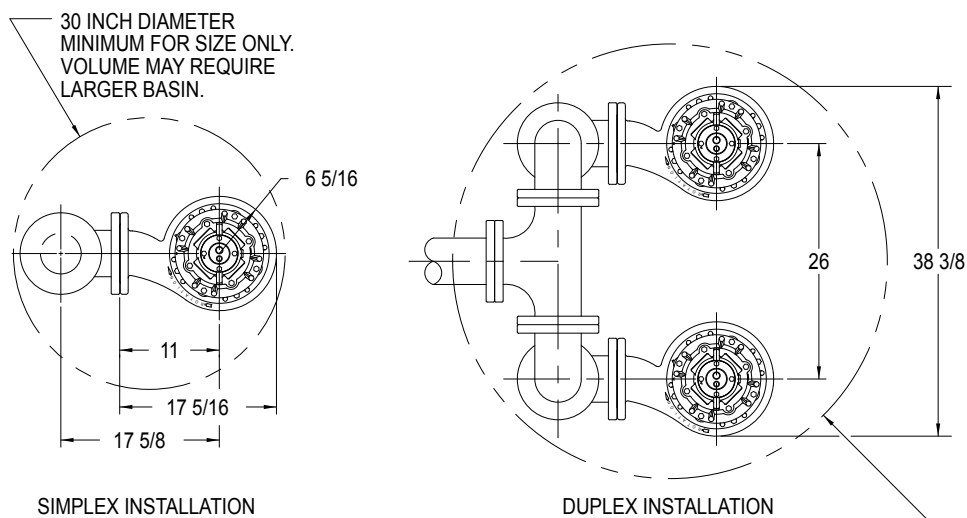
0712

MAIL TO: P.O. BOX 16347 • Louisville, KY 40256-0347
SHIP TO: 3649 Cane Run Road • Louisville, KY 40211-1961
 (502) 778-2731 • 1 (800) 928-PUMP • **FAX:** (502) 774-3624

visit our web site:
zoellerengineered.com

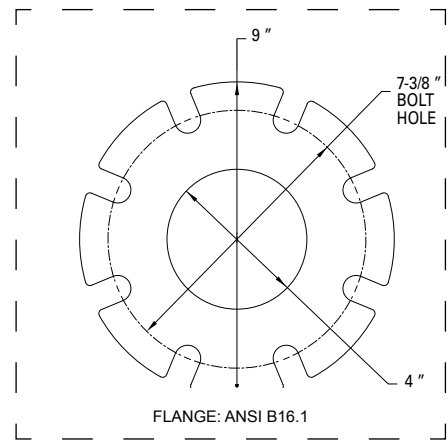
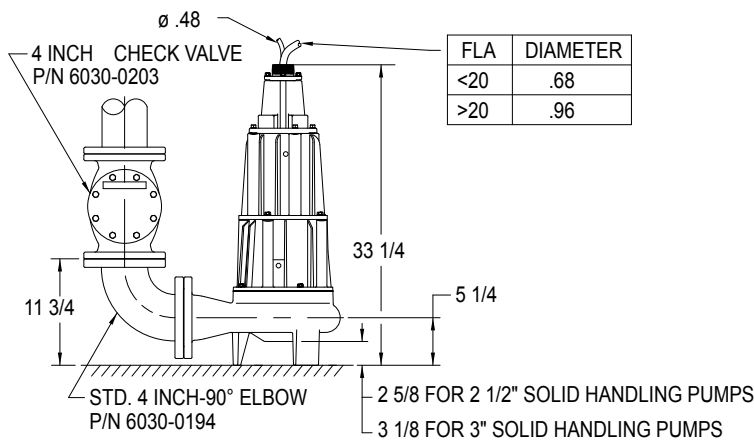


X61 HD SERIES DIMENSIONAL DATA 4" FLANGED HORIZONTAL DISCHARGE UNITS *Floor Mounted*



DIMENSIONS BASED ON STANDARD ANSI FITTING SIZES
 CHECK VALVES REQUIRED, NOT SHOWN FOR CLARITY
 ALL DIMENSIONS IN INCHES UNLESS OTHERWISE NOTED

48 INCH DIAMETER MINIMUM FOR SIZE ONLY. VOLUME MAY REQUIRE LARGER BASIN.



ZEPA0549B

See Reverse Side for "Rail Mounted"

X61 HD HAZARDOUS LOCATION SERIES

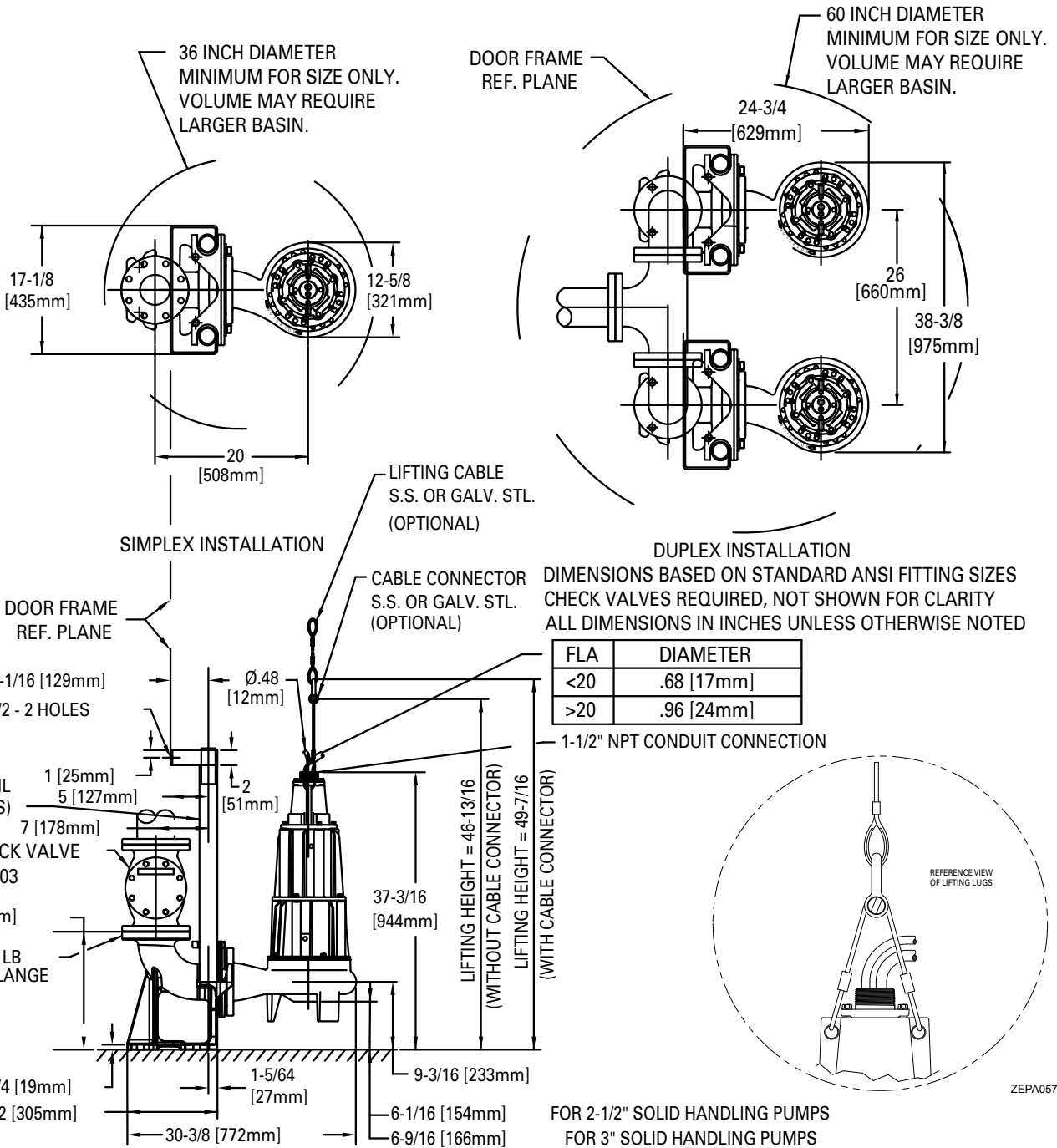
CLASS I, DIVISION 1 GROUP C & D

DIMENSIONAL DATA

4" Flanged Discharge Units

P/N 39-0155 Rail Mounted

MODELS: X6120-X6125



ZEPA0552B

See Reverse Side for "Floor Mounted"