

Trusted. Tested. Tough.™

Product information presented here reflects conditions at time of publication. Consult factory regarding discrepancies or inconsistencies.



SECTION: Z3.30.150

ZM2226

0615

Supersedes

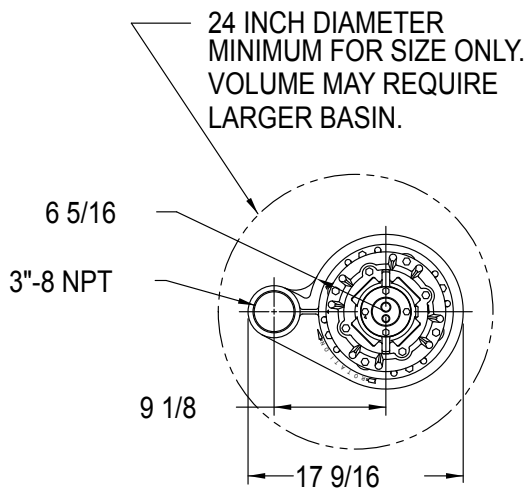
1209

**MAIL TO:** P.O. BOX 16347 • Louisville, KY 40256-0347  
**SHIP TO:** 3649 Cane Run Road • Louisville, KY 40211-1961  
 (502) 778-2731 • 1 (800) 928-PUMP • **FAX** (502) 774-3624

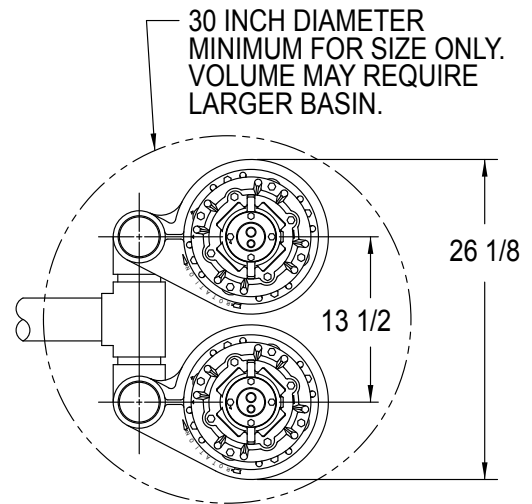
**visit our web site:**  
[zoellerengineered.com](http://zoellerengineered.com)



**X61 HD SERIES**  
**DIMENSIONAL DATA**  
**3" NPT Vertical Discharge Units**  
**Floor Mounted**

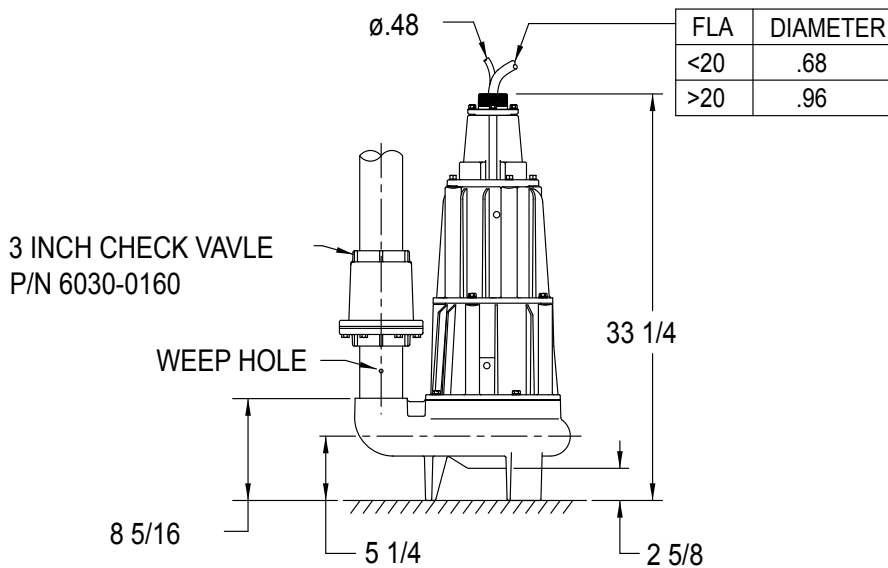


SIMPLEX INSTALLATION



DUPLEX INSTALLATION

DIMENSIONS BASED ON STANDARD ANSI FITTING SIZES  
 CHECK VALVES REQUIRED, NOT SHOWN FOR CLARITY  
 ALL DIMENSIONS ARE IN INCHES UNLESS OTHERWISE NOTED



ZEPA0548B

See Reverse Side for "Rail Mounted"

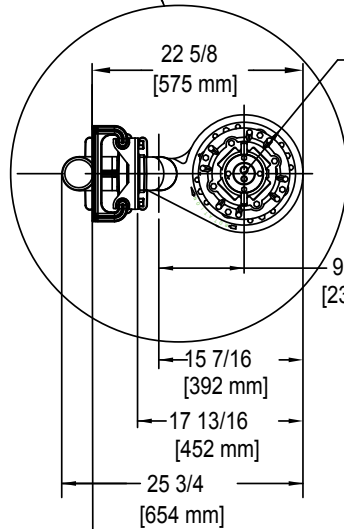
# X61 HD SERIES

## DIMENSIONAL DATA

### 3" NPT Vertical Discharge Units

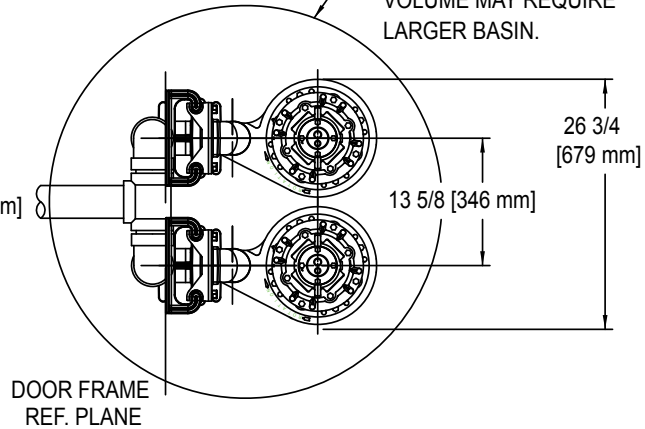
#### P/N 39-0124 or 39-0125 Rail Mounted

36 INCH DIAMETER  
MINIMUM FOR SIZE ONLY.  
VOLUME MAY REQUIRE  
LARGER BASIN.



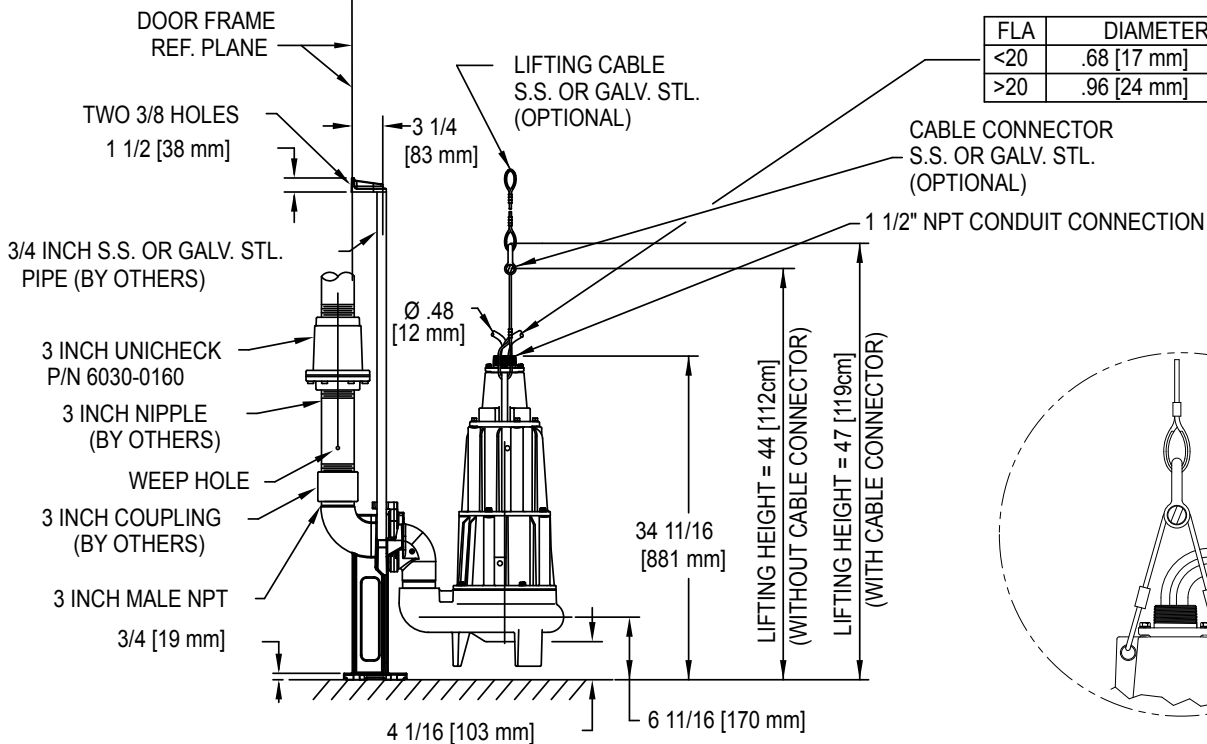
SIMPLEX INSTALLATION

42 INCH DIAMETER  
MINIMUM FOR SIZE ONLY.  
VOLUME MAY REQUIRE  
LARGER BASIN.

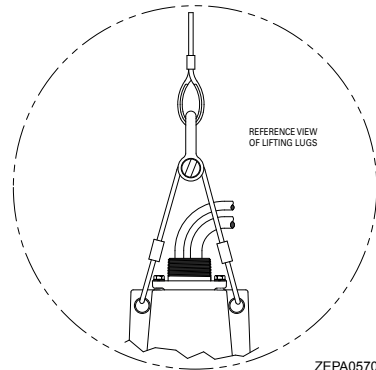


DUPLEX INSTALLATION

DIMENSIONS IN BASED ON STANDARD ANSI FITTING SIZES  
CHECK VALVES REQUIRED, NOT SHOWN FOR CLARITY  
ALL DIMENSIONS IN INCHES UNLESS OTHERWISE NOTED



| FLA | DIAMETER    |
|-----|-------------|
| <20 | .68 [17 mm] |
| >20 | .96 [24 mm] |



ZEPA0570

ZEPA0550B

See Reverse Side for "Floor Mounted"