

Trusted. Tested. Tough.®

Product information presented here reflects conditions at time of publication. Consult factory regarding discrepancies or inconsistencies.



SECTION: Z4.20.125

ZM2186

1021

Supersedes

0807

MAIL TO: P.O. BOX 16347 • Louisville, KY 40256-0347
 SHIP TO: 3649 Cane Run Road • Louisville, KY 40211-1961
 TEL: (502) 778-2731 • 1 (800) 928-PUMP • FAX: (502) 774-3624

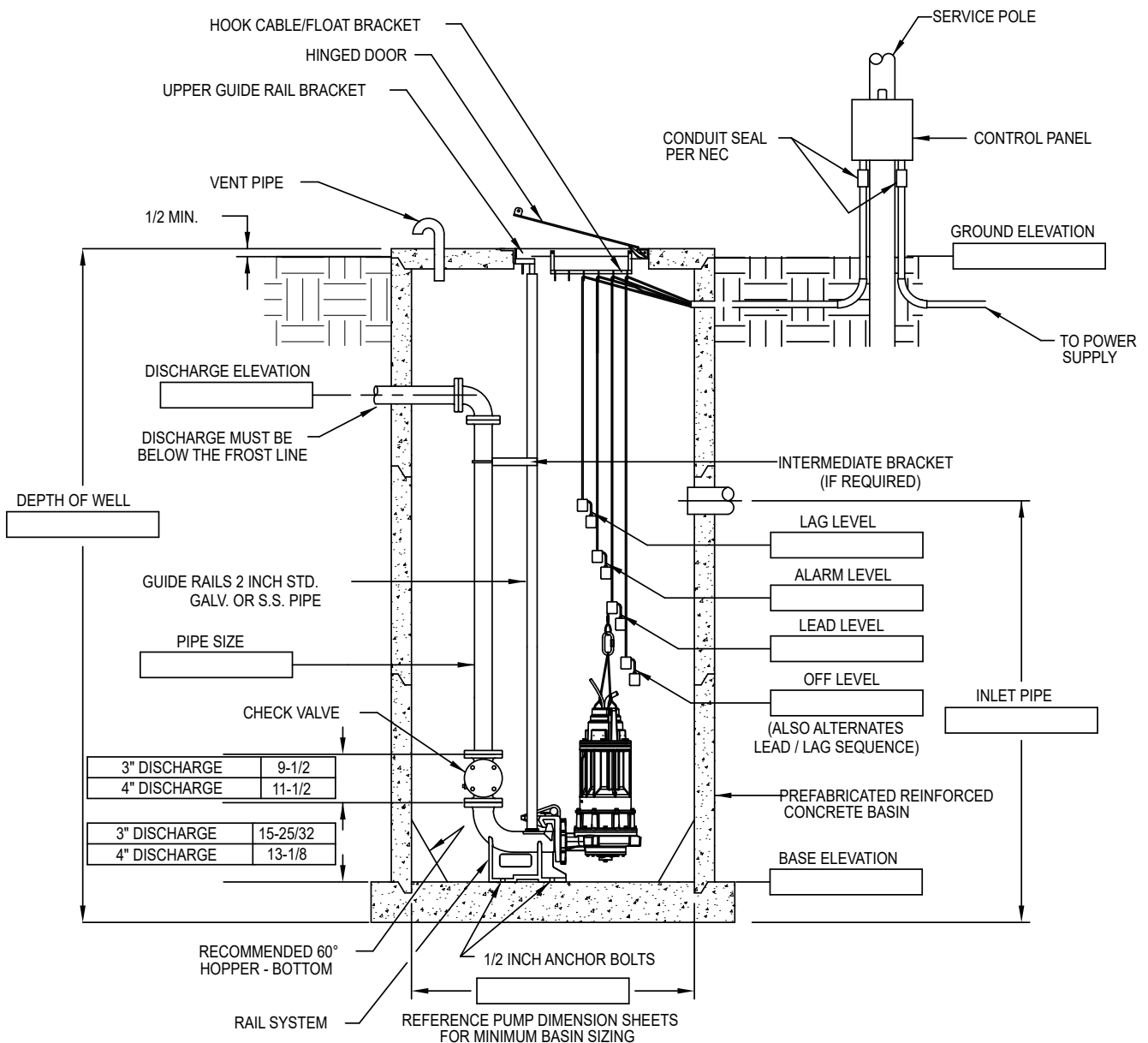
Visit our website:
 zoellerpumps.com



LIFT STATION DIMENSIONAL DATA

71 SERIES GRINDER PUMP

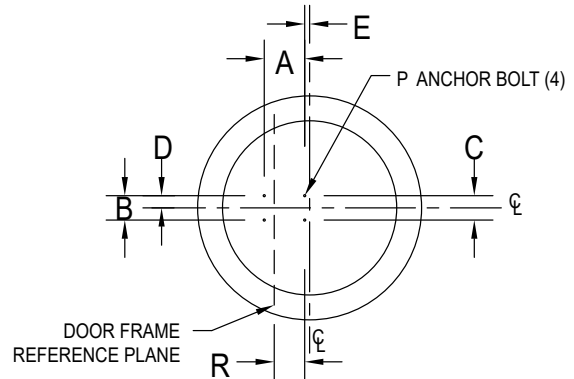
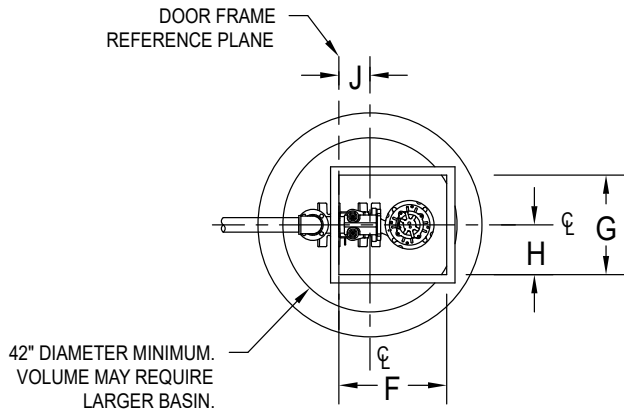
3" Discharge Piping



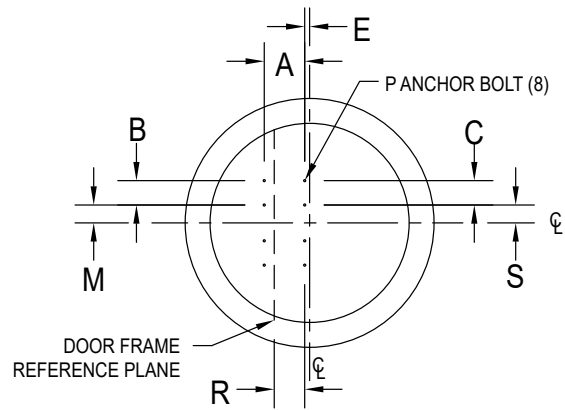
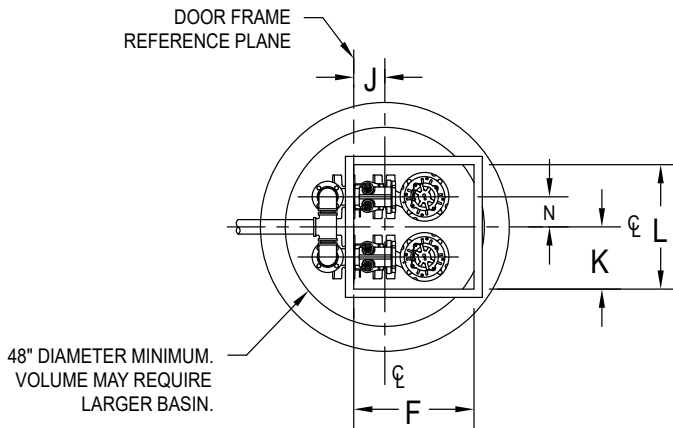
SK3329

LIFT STATION DIMENSIONAL DATA

71 SERIES GRINDER PUMP



SIMPLEX DIMENSIONAL CHART (ALL DIMENSIONS IN INCHES)											
NOM. SIZE	A	B	C	D	E	F	G	H	J	P	R
2" VERTICAL	4	7	7	3-1/2	3-7/16	26	24	12	8	1/2	4-9/16
3" HORIZONTAL	9-3/4	5-7/8	5-7/8	2-15/16	3/16	26	24	12	7-1/2	1/2	7-11/32



DUPLEX DIMENSIONAL CHART (ALL DIMENSIONS IN INCHES)													
NOM. SIZE	A	B	C	E	F	J	K	L	M	N	P	R	S
2" VERTICAL	4	7	7	6-15/16	29	11-1/2	15	30	3-3/4	7-1/4	1/2	4-9/16	3-3/4
3" HORIZONTAL	9-3/4	5-7/8	5-7/8	3/16	29	7-1/2	15	30	4-5/8	7-1/4	1/2	7-11/32	4-5/16