

Trusted. Tested. Tough.®

Product information presented here reflects conditions at time of publication. Consult factory regarding discrepancies or inconsistencies.



SECTION: Z1.20.140

ZM1500

0721

Supersedes

0120

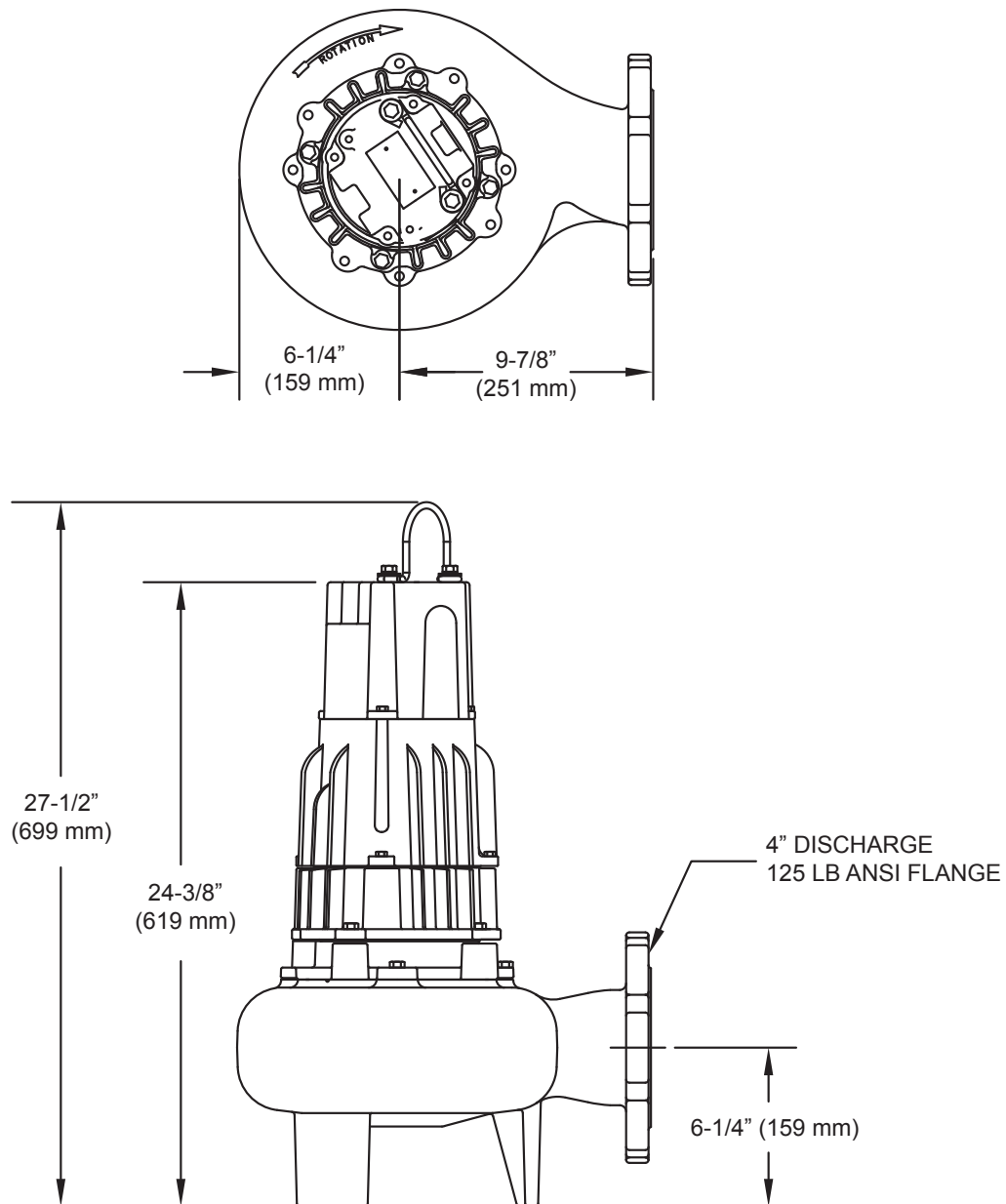
MAIL TO: P.O. BOX 16347 • Louisville, KY 40256-0347
SHIP TO: 3649 Cane Run Road • Louisville, KY 40211-1961
(502) 778-2731 • 1 (800) 928-PUMP • FAX (502) 774-3624

Visit our website:
zoellerengineered.com

6400 SERIES COMMERCIAL SEWAGE PUMP

DIMENSIONAL DATA

Floor mounted



SK1787

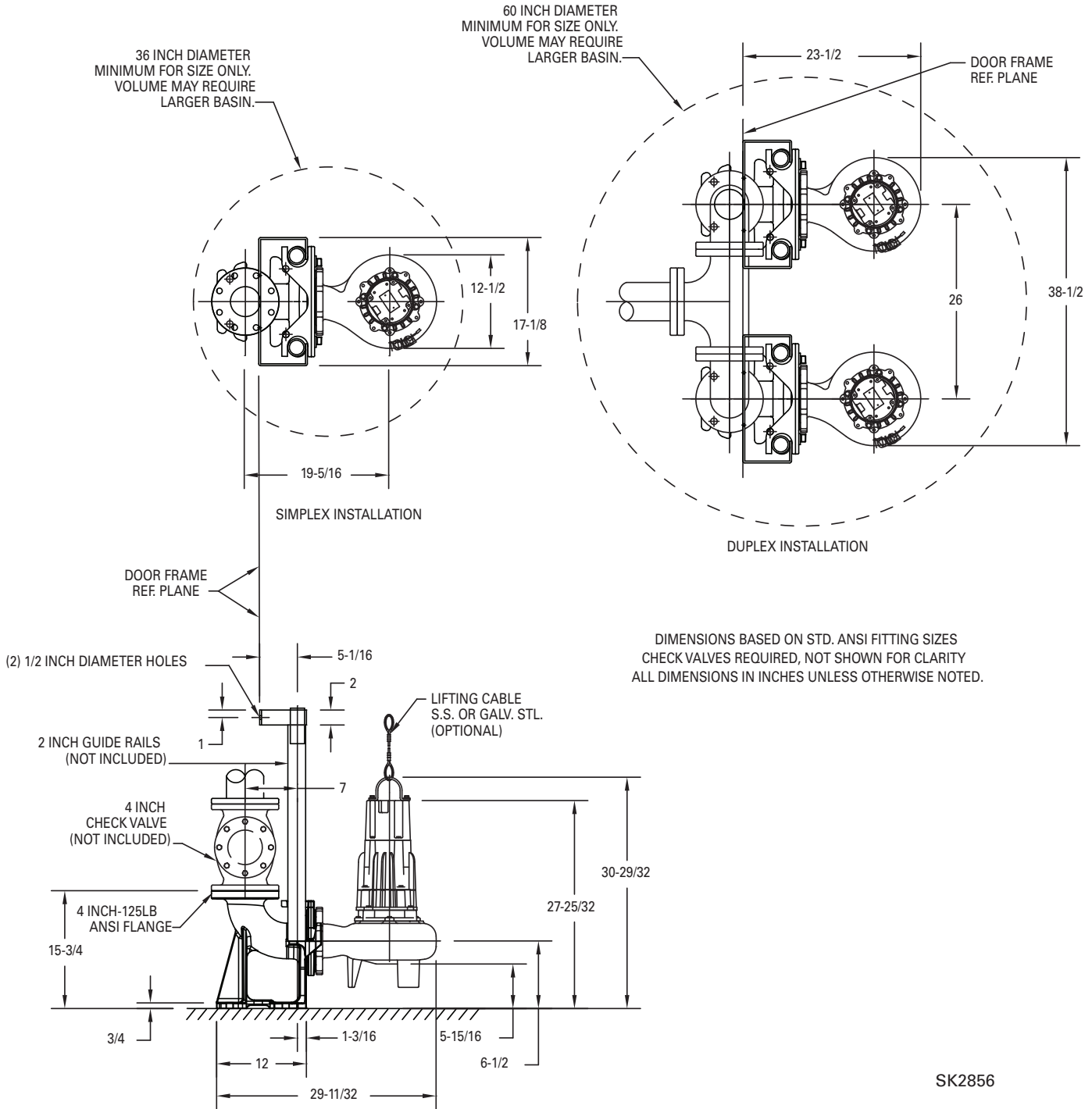
See ZM1376 for listed models.

© Copyright 2021 Zoeller® Co. All rights reserved.

6400 SERIES COMMERCIAL SEWAGE

4" FLANGED DISCHARGE UNITS

P/N 39-0154 4" Rail Mounted



SK2856