

Trusted. Tested. Tough.®

SECTION: Z1.20.120

ZM1375

0721

Supersedes

1220

Product information presented here reflects conditions at time of publication. Consult factory regarding discrepancies or inconsistencies.



MAIL TO: P.O. BOX 16347 • Louisville, KY 40256-0347
 SHIP TO: 3649 Cane Run Road • Louisville, KY 40211-1961
 (502) 778-2731 • 1 (800) 928-PUMP • FAX (502) 774-3624

Visit our website:
 zoellerengineered.com

6290 SERIES COMMERCIAL SEWAGE PUMPS TECHNICAL DATA



PUMP NAME PLATE HORSEPOWER:	<input type="checkbox"/> 6292	<input type="checkbox"/> 6293	<input type="checkbox"/> 6294	<input type="checkbox"/> 6295
		1/2 HP	1 HP	1-1/2 HP
SOLID SIZE: in (mm)	2" (50 mm)	2" (50 mm)	2" (50 mm)	2" (50 mm)
MINIMUM HEAD: ft. (m)	5.0' (1.5 m)	15.0' (4.6 m)	5.0' (1.5 m)	5.0' (1.5 m)
MAXIMUM HEAD: ft. (m)	40' (12.2 m)	51' (15.5 m)	62' (18.9 m)	75' (22.9 m)
MAX.FLOW GPM (L/min) @ MIN. HEAD ft. (m)	135 GPM @ 5' (511 L/min @ 1.5 m)	122 GPM @ 15' (462 L/min @ 4.6 m)	196 GPM @ 5' (742 L/min @ 1.5 m)	214 GPM @ 5' (810 L/min @ 1.5 m)
DISCHARGE SIZE: VERTICAL FEMALE	<input type="checkbox"/> 2" NPT <input type="checkbox"/> 3" NPT	<input type="checkbox"/> 2" NPT <input type="checkbox"/> 3" NPT	<input type="checkbox"/> 2" NPT <input type="checkbox"/> 3" NPT	<input type="checkbox"/> 2" NPT <input type="checkbox"/> 3" NPT

PUMP NET WEIGHT: lbs (kg)	93-96 lbs (42-44 kg)	MOTOR TYPE:	SUBMERSIBLE	
SERVICE FACTOR:	1.0	TYPE SOW POWER CORD LENGTH: ft (m)	25' (7.62 m) <input type="checkbox"/> _____'	
MOTOR DESIGN LETTER:	NEMA B	MOTOR SHAFT:	416 S.S.	
IMPELLER TYPE:	CAST IRON VORTEX	STATOR AND LEAD WIRES INSULATION:	6292 & 6293	CLASS B
	OPTIONAL <input type="checkbox"/> BRONZE VORTEX		6294 & 6295	CLASS F
O-RINGS AND COVER GASKET:	VITON	MAXIMUM STATOR TEMPERATURE:	CLASS B	266 °F (130 °C)
RPM:	3450		CLASS F	311 °F (155 °C)

SHAFT SEAL CONSTRUCTION:	STANDARD	UPPER-CARBON / CERAMIC, LOWER-SILICON CARBIDE / CARBON				
	OPTIONAL	<input type="checkbox"/> UPPER	<input type="checkbox"/> SILICON CARBIDE / CARBON <input type="checkbox"/> SILICON CARBIDE / SILICON CARBIDE			
		<input type="checkbox"/> LOWER	<input type="checkbox"/> SILICON CARBIDE / SILICON CARBIDE			
MOTOR THERMAL SHUTOFF:	THERMAL OVERLOAD SWITCH WITH AUTOMATIC RESET					
MOISTURE DETECTION:	<input type="checkbox"/> OPTIONAL *	MOISTURE SENSING PROBES				
MINIMUM RECOMMENDAD FLUID LEVEL: IN (M)	10" (254 mm)					
MAXIMUM WATER TEMPERATURE:	130 °F (54 °C) 120 °F (49 °C) FOR WD6295					

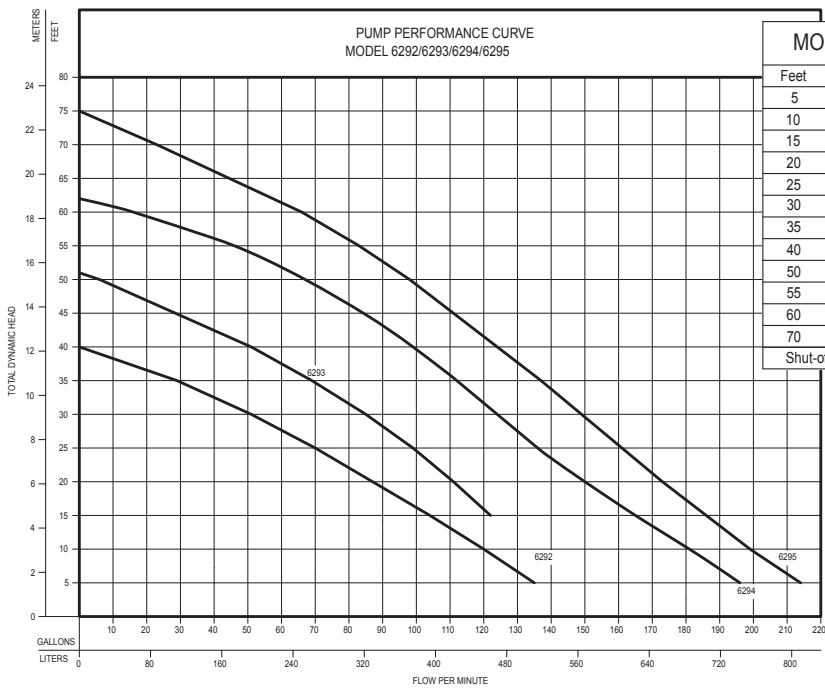
*Requires a circuit in control panel to function.

ELECTRICAL DATA

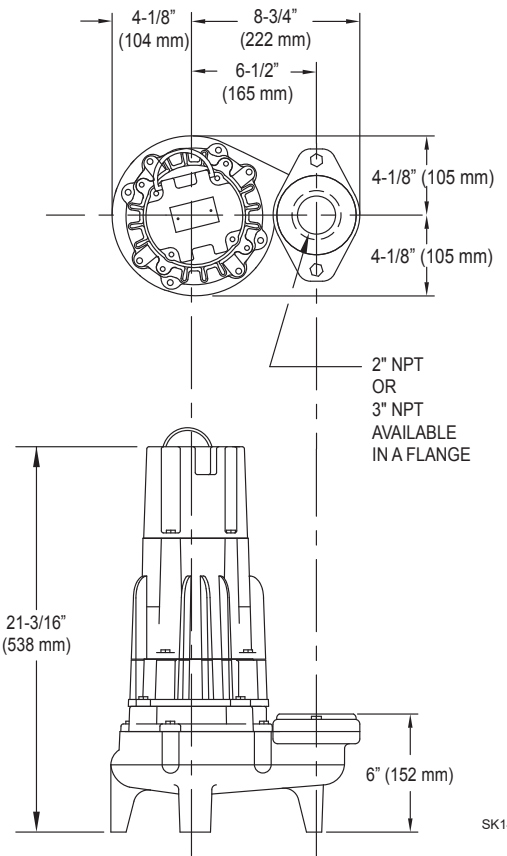
MODEL	HP	<input type="checkbox"/> 115 V / 1 Ph		<input type="checkbox"/> 200-208 V / 1 Ph		<input type="checkbox"/> 230 V / 1 Ph		<input type="checkbox"/> 200-208 V / 3 Ph		<input type="checkbox"/> 230 V / 3 Ph		<input type="checkbox"/> 460 V / 3 Ph		<input type="checkbox"/> 575 V / 3 Ph	
		FLA	LRA	FLA	LRA	FLA	LRA	FLA	LRA	FLA	LRA	FLA	LRA	FLA	LRA
<input type="checkbox"/> 6292	1/2	15.0	52.2	8.8	19.8	7.5	15.1	6.4	23.6	5.2	24.0	2.9	12.0	2.4	11.3
<input type="checkbox"/> 6293	1	--	--	12.0	26.8	10.2	20.1	8.2	31.1	7.6	29.8	4.0	14.9	3.3	10.0
<input type="checkbox"/> 6294	1-1/2	--	--	17.8	54.5	13.7	45.7	10.8	45.2	9.5	39.4	4.8	19.7	3.8	15.9
<input type="checkbox"/> 6295	2	--	--	20.5	54.5	17.1	45.7	14.3	45.2	12.2	39.4	6.1	19.7	4.9	15.9

Refer to reverse side for Head/Capacity Performance Curves

© Copyright 2021 Zoeller® Co. All rights reserved.



MODEL	6292		6293		6294		6295	
	Feet	Meters	Gal.	Liters	Gal.	Liters	Gal.	Liters
5	1.5	135	511	--	--	196	742	214
10	3.0	120	454	--	--	181	685	199
15	4.6	104	394	122	462	165	625	186
20	6.1	87	329	111	420	150	568	173
25	7.6	70	265	99	375	136	515	161
30	9.1	51	193	85	322	124	469	149
35	10.7	29	110	69	261	112	424	137
40	12.2	--	--	51	193	99	375	124
50	15.2	--	--	6	23	67	254	98
55	16.8	--	--	--	--	46	174	83
60	18.3	--	--	--	--	16	61	66
70	21.3	--	--	--	--	--	23	87
Shut-off Head:	40 ft. (12.2 m)		51 ft. (15.5 m)		62 ft. (18.9 m)		75 ft. (22.9 m)	



Standard all models - 25 ft. (7.6 m) cord - 1/2 HP

6292 MODELS	Control Selection			Listings cCSAus
	Volts	Ph	Amps	
*N6292	115	1	15.0	No ⁽¹⁾
E6292	230	1	7.5	Yes
I6292	200	1	8.8	Yes
J6292	200	3	6.4	Yes
F6292	230	3	5.2	Yes
G6292	460	3	2.9	Yes
BA6292	575	3	2.4	No

Standard all models - 25 ft. (7.6 m) cord - 1 HP

6293 MODELS	Control Selection			Listings cCSAus
	Volts	Ph	Amps	
*E6293	230	1	10.2	Yes
I6293	200	1	12.0	Yes
J6293	200	3	8.2	Yes
F6293	230	3	7.6	Yes
G6293	460	3	4.0	Yes
BA6293	575	3	3.3	Yes

Standard all models - 25 ft. (7.6 m) cord - 1-1/2 HP

6294 MODELS	Control Selection			Listings cCSAus
	Volts	Ph	Amps	
*E6294	230	1	13.7	No ⁽¹⁾
I6294	200	1	17.8	Yes
J6294	200	3	10.8	Yes
F6294	230	3	9.5	Yes
G6294	460	3	4.8	Yes
BA6294	575	3	3.8	Yes

Standard all models - 25 ft. (7.6 m) cord - 2 HP

6295 MODELS	Control Selection			Listings cCSAus
	Volts	Ph	Amps	
*E6295	230	1	17.1	No ⁽²⁾
I6295	200	1	20.5	Yes
J6295	200	3	14.3	Yes
F6295	230	3	12.2	Yes
G6295	460	3	6.1	Yes
BA6295	575	3	4.9	Yes

* Molded Plug

All pumps are available with optional moisture sensors. Seal Fail indicator light available in NEMA 4X control panels.

(1) CSA Approval with 15 Amp plug.
(2) CSA Approval with 20 Amp plug.

FEATURES

- Durable epoxy coated cast iron construction.
- Motor - 1/2 hp - 2 hp, 60 hz, 3450 rpm, 1 ph or 3 ph, oil filled, hermetically sealed, automatic reset, thermal overload protected (1 ph).
- Bearings - upper and lower ball bearings
- Stainless steel motor shaft
- Dual mechanical shaft seals - upper carbon/ceramic, lower silicon carbide/carbon. Optional seal materials available
- Viton o-ring seals and cover gasket
- Impeller - non-clogging cast iron vortex design passes 2" (50 mm) spherical solids. Optional bronze available.
- 25 Foot (7.6 M) listed 3-wire neoprene cord and plug. Longer cords available in lengths of 35-50 feet (10-15 m).
- No screens to clog.
- Stainless steel screws, bolts and handle.
- 2" Npt discharge with 3" flange available.
- Corrosion resistant powder coated epoxy finish.
- Moisture sensors available for early warning of seal failure. (Optional)
- 100% Computerized tested.



All installation of controls, protection devices and wiring should be done by a qualified licensed electrician. All electrical and safety codes should be followed including the most recent National Electrical Code (NEC) and the Occupational Safety and Health Act (OSHA).