

Product information presented here reflects conditions at time of publication. Consult factory regarding discrepancies or inconsistencies.



**MAIL TO:** P.O. BOX 16347 • Louisville, KY 40256-0347  
**SHIP TO:** 3649 Cane Run Road • Louisville, KY 40211-1961  
 (502) 778-2731 • 1 (800) 928-PUMP • **FAX** (502) 774-3624

**visit our web site:**  
**zoellerengineered.com**

## DUPLEX SYSTEM THREADED DISCHARGE PUMPS - TOP DISCHARGE

### PUMP INFORMATION

TYPE:  DEWATERING

GRINDER

SOLIDS HANDLING

PUMP MODEL \_\_\_\_\_

\_\_\_\_\_ GPM \_\_\_\_\_ TDH

\_\_\_\_\_ DISCHARGE

\_\_\_\_\_ HP \_\_\_\_\_ RPM

\_\_\_\_\_ AMPS (FLA)

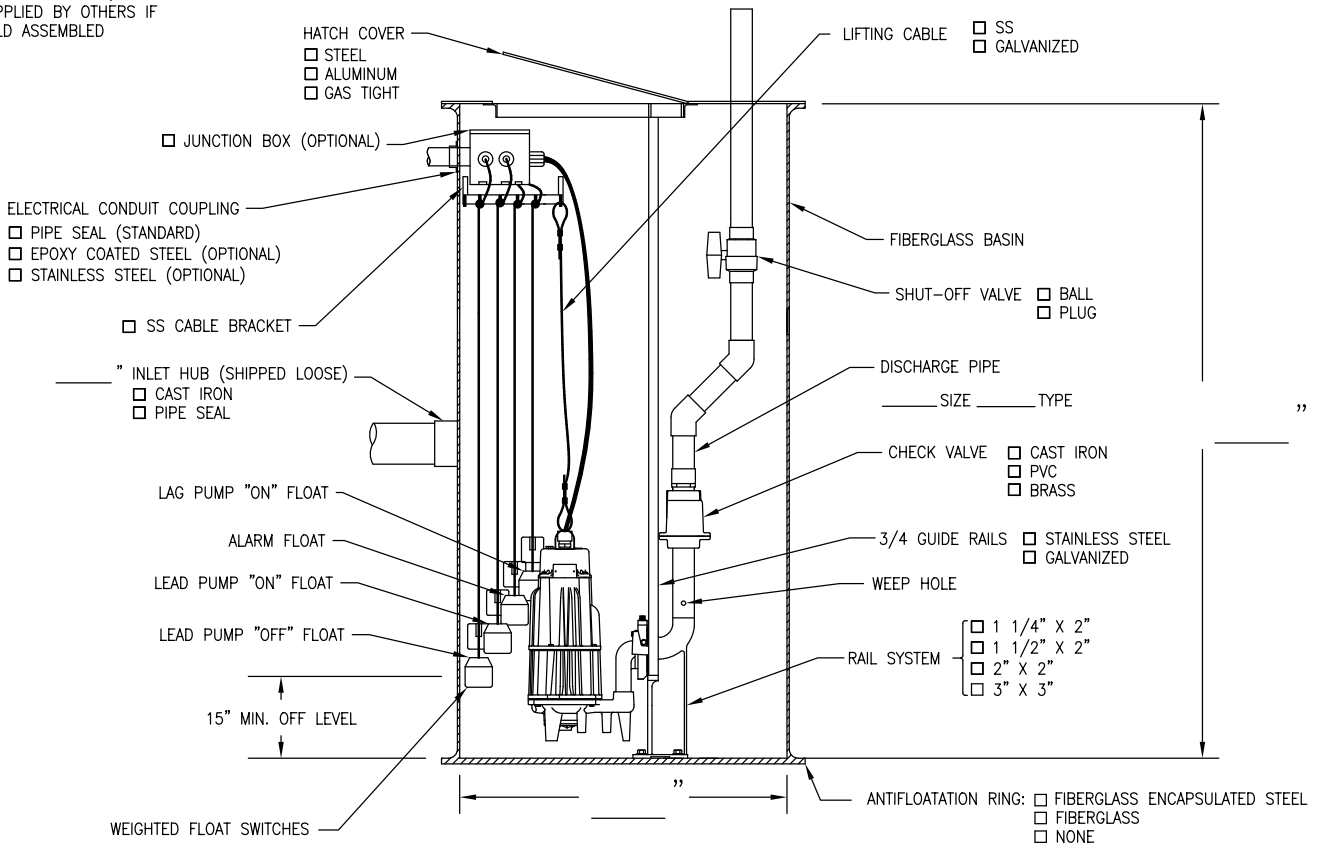
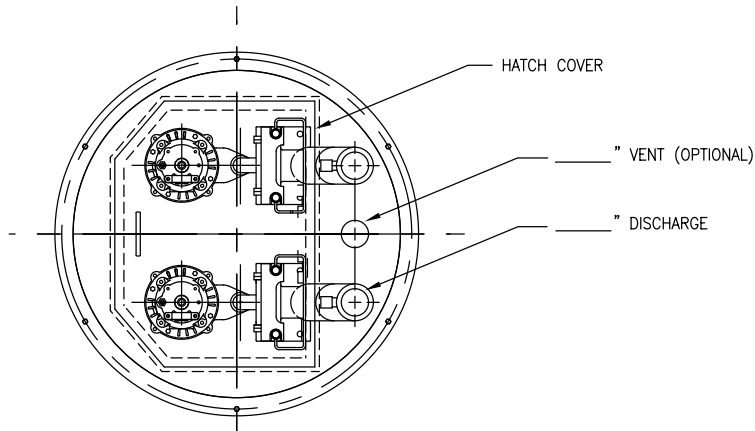
\_\_\_\_\_ VOLTS \_\_\_\_\_ PHASE \_\_\_\_\_ HZ

### INSTALLATION

FACTORY PRE-PACKAGED

FIELD ASSEMBLED

\* DISCHARGE PIPING, FITTINGS & RAILS  
 SUPPLIED BY OTHERS IF  
 FIELD ASSEMBLED



# DUPLIX SYSTEM FLANGED DISCHARGE PUMPS - TOP DISCHARGE

## PUMP INFORMATION

TYPE:  DEWATERING  
 GRINDER  
 SOLIDS HANDLING

PUMP MODEL \_\_\_\_\_

\_\_\_\_\_ GPM \_\_\_\_\_ TDH

\_\_\_\_\_ DISCHARGE

\_\_\_\_\_ HP \_\_\_\_\_ RPM

\_\_\_\_\_ AMPS (FLA)

\_\_\_\_\_ VOLTS \_\_\_\_\_ PHASE \_\_\_\_\_ HZ

## PUMP INFORMATION

FACTORY PRE-PACKAGED

FIELD ASSEMBLED

\* DISCHARGE PIPING, FITTINGS & RAILS  
 SUPPLIED BY OTHERS IF  
 FIELD ASSEMBLED

