

Trusted. Tested. Tough.™

Product information presented here reflects conditions at time of publication. Consult factory regarding discrepancies or inconsistencies.



SECTION: Z6.00.103

ZM2280

0712

Supersedes

1004

MAIL TO: P.O. BOX 16347 • Louisville, KY 40256-0347
SHIP TO: 3649 Cane Run Road • Louisville, KY 40211-1961
 (502) 778-2731 • 1 (800) 928-PUMP • **FAX** (502) 774-3624

visit our web site:
zoellerengineered.com

SIMPLEX SYSTEM THREADED DISCHARGE PUMP - SIDE DISCHARGE

PUMP INFORMATION

- TYPE: DEWATERING
 GRINDER
 SOLIDS HANDLING

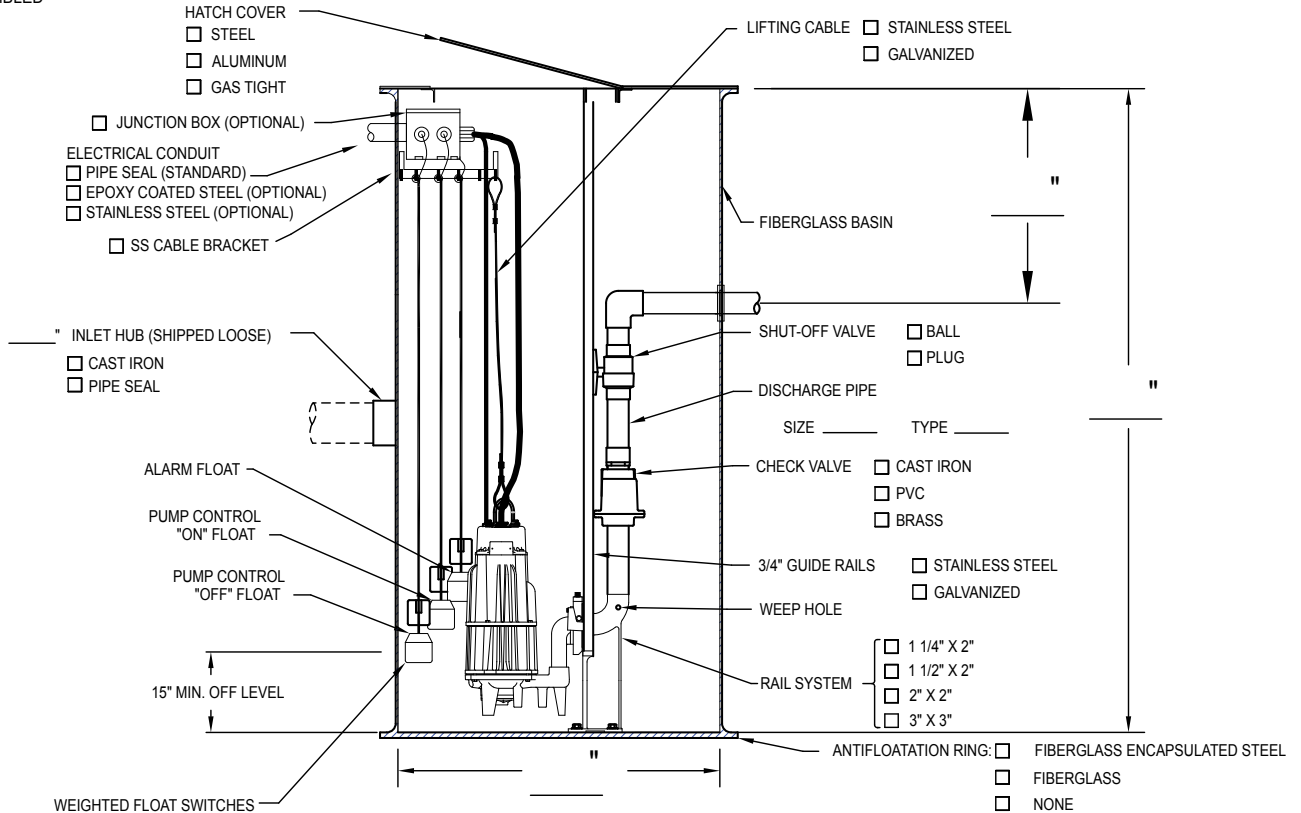
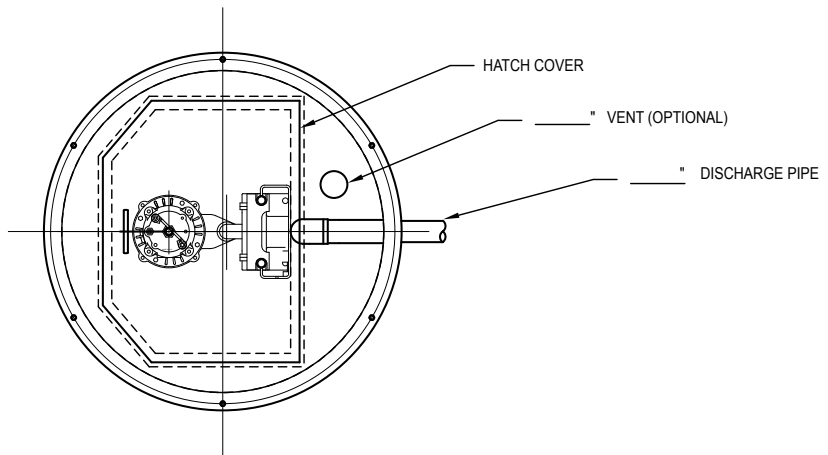
PUMP MODEL

___ GPM ___ TDH
 ___ DISCHARGE
 ___ HP ___ RPM
 ___ AMPS (FLA)
 ___ VOLTS ___ PHASE ___ HZ

INSTALLATION

- FACTORY PRE-PACKAGED
 FIELD ASSEMBLED

* DISCHARGE PIPING, FITTINGS & RAILS
 SUPPLIED BY OTHERS IF
 FIELD ASSEMBLED



SK2424

DUPLIX SYSTEM

THREADED DISCHARGE PUMPS - SIDE DISCHARGE

PUMP INFORMATION

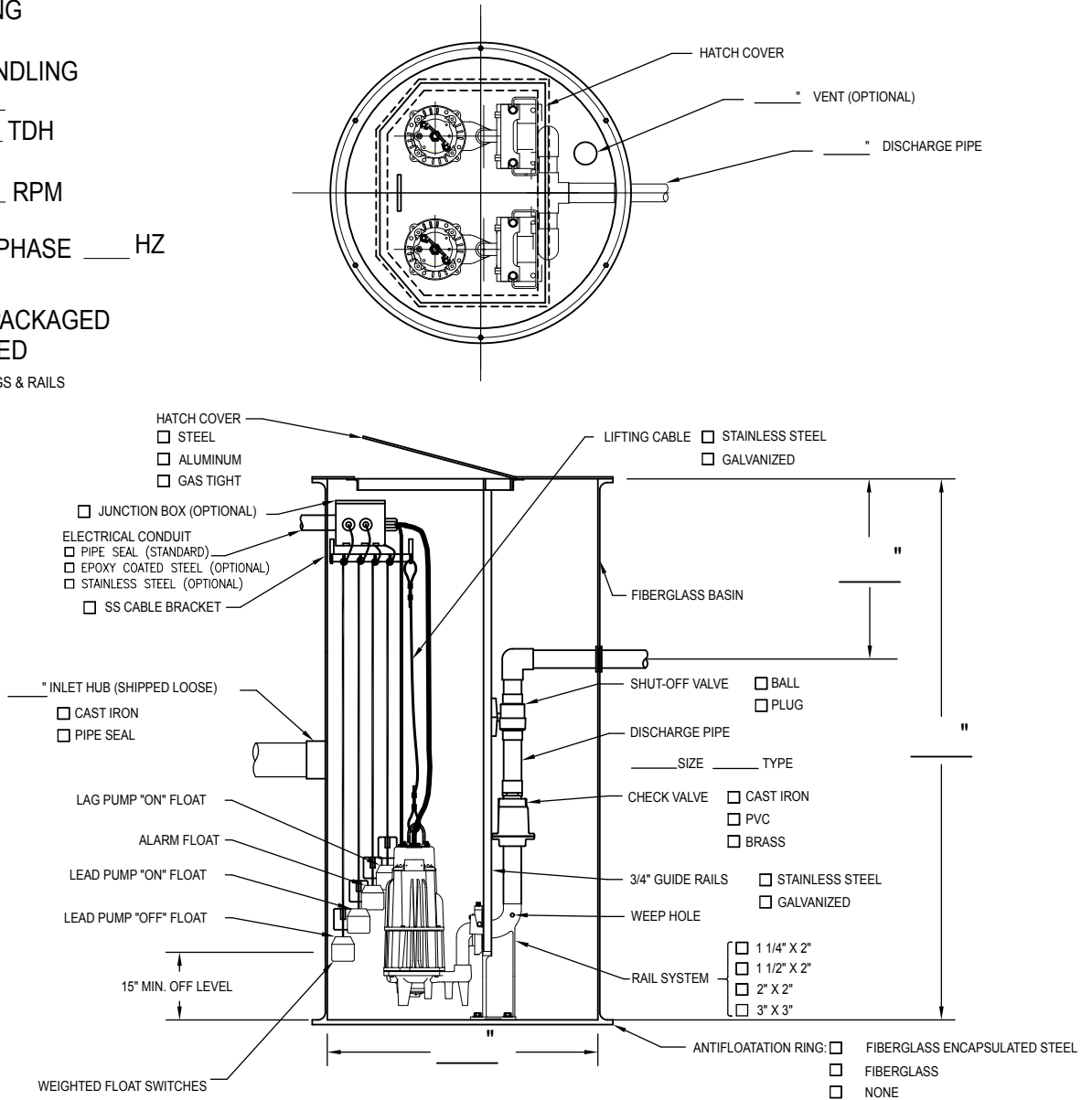
- TYPE: DEWATERING
 GRINDER
 SOLIDS HANDLING

PUMP MODEL _____
 _____ GPM _____ TDH
 _____ DISCHARGE
 _____ HP _____ RPM
 _____ AMPS (FLA)
 _____ VOLTS _____ PHASE _____ HZ

INSTALLATION

- FACTORY PRE-PACKAGED
 FIELD ASSEMBLED

*DISCHARGE PIPING, FITTINGS & RAILS
 SUPPLIED BY OTHERS IF
 FIELD ASSEMBLED



SK2425



MAIL TO: P.O. BOX 16347 • Louisville, KY 40256-0347
SHIPTO: 3649 Cane Run Road • Louisville, KY 40211-1961
 (502) 778-2731 • 1 (800) 928-PUMP • **FAX** (502) 774-3624

Trusted. Tested. Tough.™

visit our web site:
zoellerengineered.com