

Trusted. Tested. Tough.™

Product information presented here reflects conditions at time of publication. Consult factory regarding discrepancies or inconsistencies.



SECTION: Z3.50.120

ZM3050

0118

Supersedes

New

MAILTO: P.O. BOX 16347 • Louisville, KY 40256-0347
 SHIPTO: 3649 Cane Run Road • Louisville, KY 40211-1961
 (502) 778-2731 • 1 (800) 928-PUMP • FAX (502) 774-3624

visit our web site:
zoellerengprod.com



X64HD HAZARDOUS LOCATION SERIES

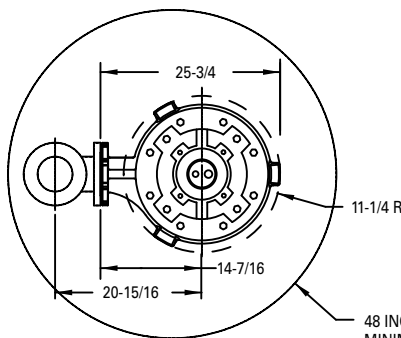
DIMENSIONAL DATA

CLASS I, DIVISION 1, GROUPS C & D

4" Flanged Horizontal Discharge Units

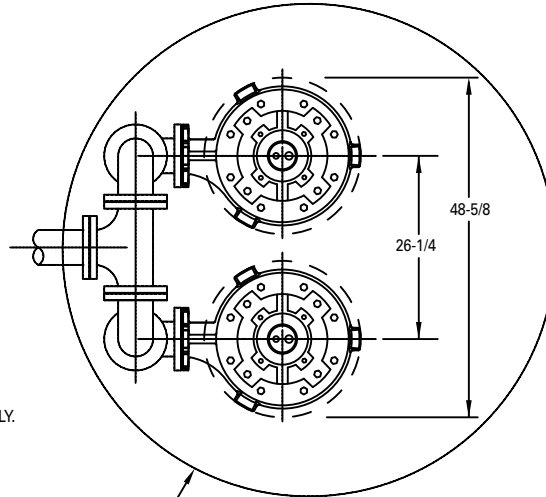
Floor Mounted

MODELS: X6424- X6428



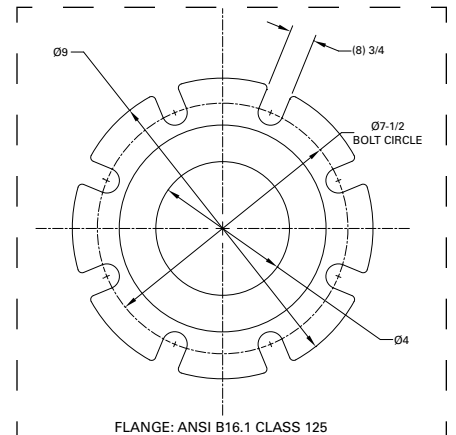
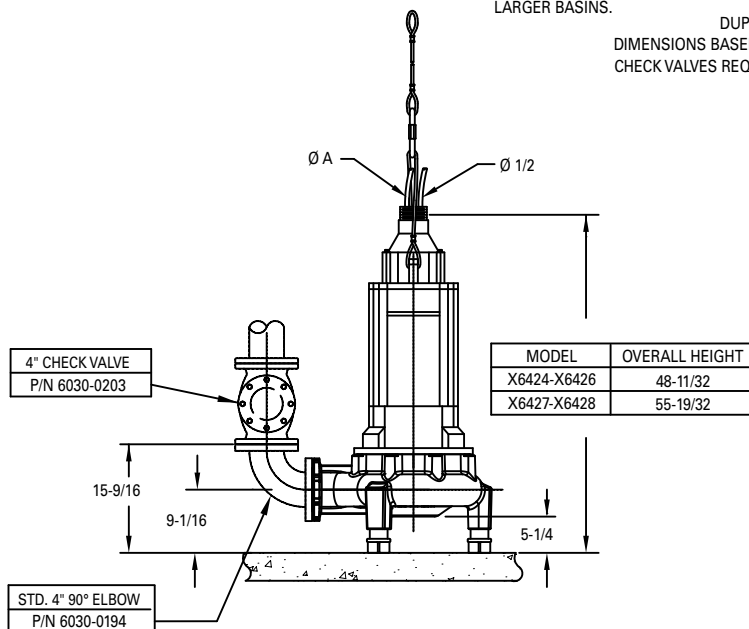
SIMPLEX INSTALLATION

48 INCH DIAMETER
 MINIMUM FOR SIZE ONLY.
 VOLUME MAY REQUIRE
 LARGER BASINS.



72 INCH DIAMETER
 MINIMUM FOR SIZE ONLY.
 VOLUME MAY REQUIRE
 LARGER BASINS.

DUPLEX INSTALLATION
 DIMENSIONS BASED ON STD. ANSI FITTING SIZES
 CHECK VALVES REQUIRED, NOT SHOWN FOR CLARITY



MODEL	X6424	X6425	X6426	X6427	X6428
HP	25	30	40	50	60
DIM.	"A"	"A"	"A"	"A"	"A"
230V	1.35±.100	1.55±.100	1.55±.100	-	-
460V	.985±.100	.985±.100	1.125±.100	1.35±.100	1.55±.100
575V	.985±.100	.985±.100	.985±.100	1.125±.100	1.35±.100

SK3167

All dimensions in inches unless otherwise noted.

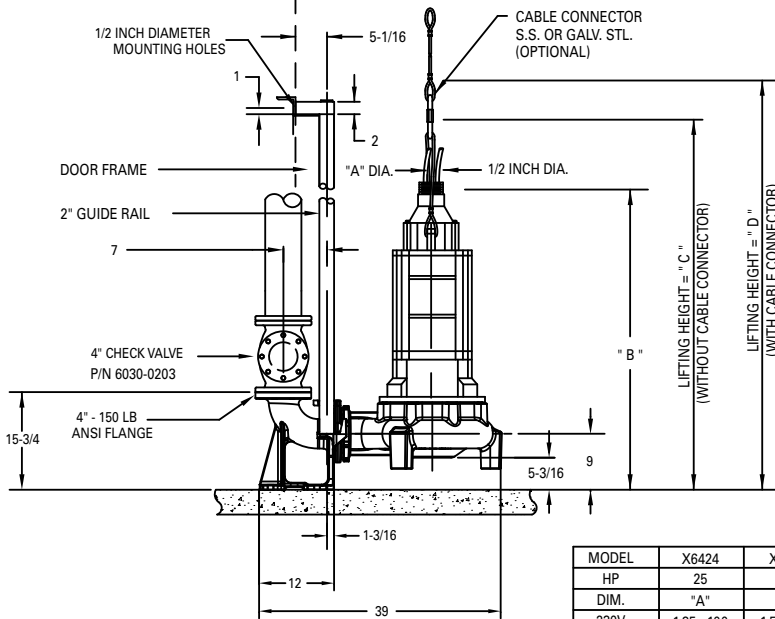
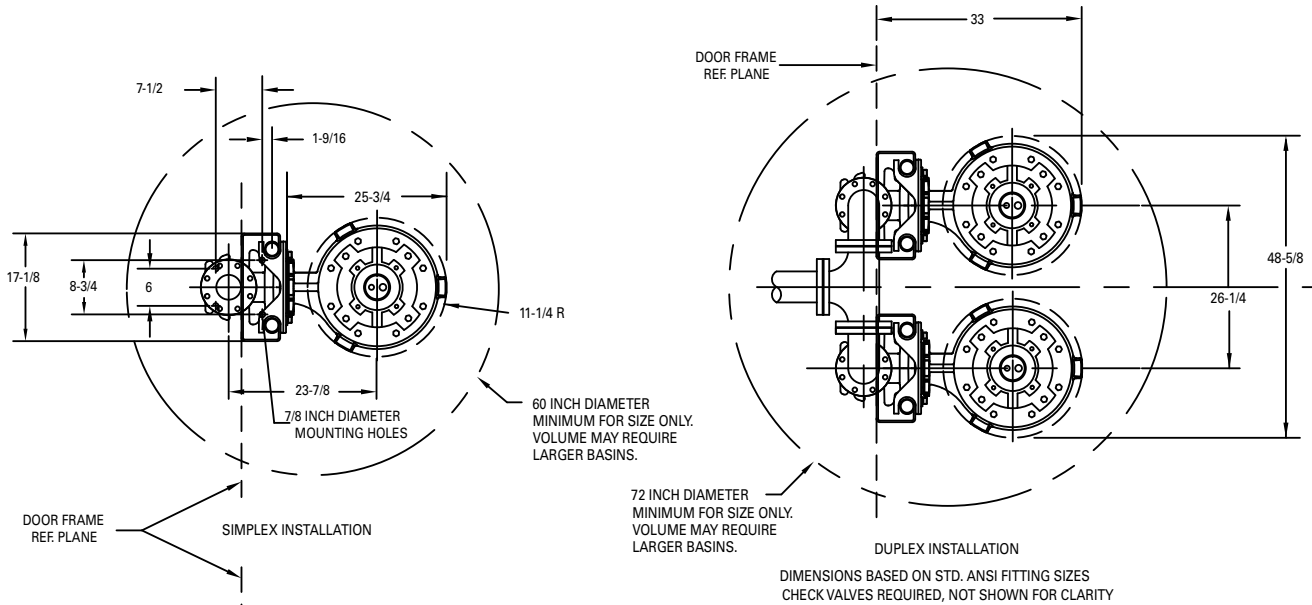
See Reverse Side for "Rail Mounted"

© Copyright 2018 Zoeller® Co. All rights reserved.



X64HD HAZARDOUS LOCATION SERIES

DIMENSIONAL DATA CLASS I, DIVISION 1, GROUPS C & D 4" Flanged Horizontal Discharge Units P/N 39-0155 - 4" Rail Mounted MODELS: X6424- X6428



MODEL	B	C	D
X6424-X6426	48-13/32	59-11/16	66
X6427-X6428	55-21/32	66-15/16	73-1/4

MODEL	X6424	X6425	X6426	X6427	X6428
HP	25	30	40	50	60
DIM.	"A"	"A"	"A"	"A"	"A"
230V	1.35±.100	1.55±.100	1.55±.100	-	-
460V	.985±.100	.985±.100	1.125±.100	1.35±.100	1.55±.100
575V	.985±.100	.985±.100	.985±.100	1.125±.100	1.35±.100

SK3166

All dimensions in inches unless otherwise noted.

See Reverse Side for "Floor Mounted"