

Product information presented here reflects conditions at time of publication. Consult factory regarding discrepancies or inconsistencies.



MAIL TO: P.O. BOX 16347 • Louisville, KY 40256-0347
SHIP TO: 3649 Cane Run Road • Louisville, KY 40211-1961
 (502) 778-2731 • 1 (800) 928-PUMP • **FAX:** (502) 774-3624

visit our web site:
zoellerengineered.com



X64 HD HAZARDOUS LOCATION SERIES

CLASS I, DIVISION 1, GROUP C & D

PRODUCT FEATURES

25 - 60 BHP

4" & 6" Flanged Discharge Units

Models: X6424 - X6428



Tested to CSA Standard
 C22.2 No. 108



APPLICATIONS

- Engineered Lift Stations
- Storm Water Removal
- All Wastewater Transfer
- Industrial Wastewater

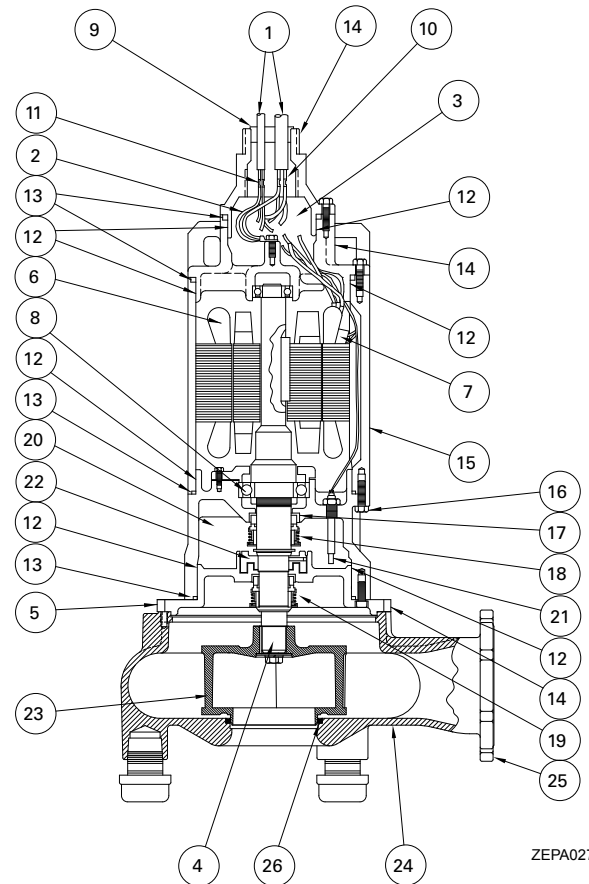
SPECIFICATIONS

PUMP:

- Discharge size - 4" & 6" horizontal flanged
- Solids - 4" - 3-1/8" spherical capability
 6" - 4" spherical capability
- Seals - Dual mechanical; carbon/rotary, ceramic/stationary, Buna-N elastomers
- Seal leak probes
- Construction - cast iron ASTM A-48, Class 30, 30,000# tensile strength
- Attaching hardware - 316 stainless steel
- "O" ring elastomers - Buna-N
- Dual 2 vane enclosed ductile iron impeller
- Pump housing with bronze wear ring (4" only) - U-Cup Seal (6")
- Optional:
 - Trimmed Impeller
 - Additional cord length ____ ft.
 - Tungsten carbide shaft seal(s)

MOTOR:

- Class I, Division 1, Hazardous Locations
- UL and CSA listed motor
- 3 Phase - 1725 RPM, 230 volt: 25 & 30 BHP, 460/ 575V: 25-60 BHP
- Stator - Class F insulation and lead wires
- Thermal sensor protection
- Housing - cast iron, air filled
- Ball bearings - Dual high carbon chromium steel
- Power and sensor cord length - 25'
- Inverter duty capable (Class I, Division 1, Group D, 1.0 SF, T2A temp code on inverter power)



ZEPA0273A

FEATURES

EASY INSTALLATION: Motor is normally supplied with twenty-five feet of multi conductor, power cable and control cable (1), with ground wire (2) as standard. Alternate cable lengths are available. Large chamber (3) speeds cable connection. Close coupling to pump eliminates alignment problems. Impeller mounts on motor stainless steel shaft extension (4), which also serves as pump shaft. Pump and motor assembly can be lowered into position as a single, compact unit. Mounting flange (5) fits pump housing. Small overall motor dimensions, through use of NEMA-T frame electrics, reduce space requirements.

Long lasting internal components - Class F insulation system (6) rated for continuous duty when submerged in 40 °C liquids with a 1.15 service factor. Thermal protection (7) standard on all motors. Conservatively rated locked antifriction ball bearings (8) for thrust loads.

Complete environmental protection - Buna-N grommets (9) epoxy sealed leads (10), and butt spliced connectors (11) keep liquid from entering the top of the motor. All mating frame fits (12) have

rabbit joints with a large overlap, as well as O-ring seals (13). End brackets (14) and frame (15) are corrosion resistant cast iron. Smooth frame design unobstructed by ribs eliminates clogging of frame and makes cleaning easy. Hardware (16) is stainless steel. Seal faces (17) are carbon and ceramic. Inner (18) and outer seals (19) provide complete protection for motor internals. Both seals have stainless steel and Buna-N components. Sealed oil-filled chamber (20) permits maximum combined depth and internal pump pressures of 100 psi. Two moisture sensing probes (21) warn of impending seal failure. The labyrinth slinger (22) provides Class I Groups C and D enclosure and acts as a protective slinger for inner seal.

Balanced 2 vane ductile iron enclosed impeller (23) with pump out vanes for seal protection that is keyed and bolted to the shaft. The concentric case (24) reduces radial loading for longer bearing and seal life and comes with a 4" or 6" horizontal discharge (25). The 4" pump housing has a bronze wear ring while the 6" pump housing has a Buna-N U-cup seal (26). The unit is protected with a 2-part corrosion resistant epoxy coating.



X64 HD HAZARDOUS LOCATION SERIES

CLASS I, DIVISION 1, GROUP C & D

TECHNICAL DATA

25 - 60 BHP

4" & 6" Flanged Discharge Units

Models: X6424 - X6428



Tested to CSA Standard
C22.2 No. 108



MODEL NUMBER:	<input type="checkbox"/> X6424	<input type="checkbox"/> X6425	<input type="checkbox"/> X6426	<input type="checkbox"/> X6427	<input type="checkbox"/> X6428
PUMP NAME PLATE HORSEPOWER: BHP	25.0	30.0	40.0	50.0	60.0
NEC LOCKED ROTOR CODE:	F	F	F	G	G
MAXIMUM KW INPUT:	21.1	25.2	33.5	40.9	51.4
IMPELLER DIAMETER: (4" / 6")	9-7/8" / 9-1/8"	10-3/8" / 9-1/2"	11-3/8" / 10-1/8"	12-1/8" / 10-5/8"	12-7/8" / 11"
SUBMERSION FOR CONTINUOUS RUN:	50"	50"	50"	54"	54"
PUMP WEIGHT: lbs.	705	730	780	1050	1100
DISCHARGE SIZE:	<input type="checkbox"/> 4" FLANGED HORIZONTAL		or	<input type="checkbox"/> 6" FLANGED HORIZONTAL	
PERFORMANCE CURVE:	<input type="checkbox"/> 4" DISCHARGE DESIGN - REF ZM3049		<input type="checkbox"/> 6" DISCHARGE DESIGN - REF ZM3049		

SOLID SIZE: in (mm)	4" - 3-1/8" (102 mm - 79 mm) 6" - 4" (152 mm - 102 mm)	TANDEM SEALS:	STANDARD
IMPELLER TYPE:	DUCTILE IRON- 2-VANE ENCLOSED	MOTOR DESIGN LETTER:	NEMA B
FLANGE:	ANSI B16.1 CLASS 125	CORD LENGTH: ft (m)	25' (7.6 m) <input type="checkbox"/> 50' (15.2 m)
MOTOR SHAFT:	416 SS	CORD:	Type SO
RPM:	1725	TEMPERATURE CODE:	T3C; T2A on Inverter power
MOTOR TYPE:	AIR-FILLED EXPLOSION-PROOF, 15 MINUTE RUN TIME IN AIR	STATOR & LEAD WIRES INSULATION:	CLASS F
	SUITABLE FOR INVERTER DUTY OPERATION	MAXIMUM STATOR TEMPERATURE:	311 °F / 155 °C
		MAXIMUM SUBMERGED DEPTH	160' (48.8 m)

SHAFT SEAL CONSTRUCTION:	STANDARD	CARBON/CERAMIC
	OPTIONAL	<input type="checkbox"/> UPPER <input type="checkbox"/> LOWER - TUNGSTEN CARBIDE/TUNGSTEN CARBIDE
STANDARD SENSING DEVICES:	MOTOR THERMAL SHUTOFF	THERMAL SENSORS WITH AUTOMATIC RESET
	MOISTURE DETECTION	MOISTURE SENSING PROBES
WEAR RING	STANDARD	BRONZE (4" ONLY)
IMPELLER: SIZE, DESIGN POINT		IMPELLER DIA. _____", DESIGN POINT: _____ GPM @ _____' TDH
MAXIMUM WATER TEMPERATURE FOR CONTINUOUS OPERATIONS:		104 °F (40 °C)

MODELS	BHP	SERVICE FACTOR	<input type="checkbox"/> 230V / 3 PHASE		<input type="checkbox"/> 460V / 3 PHASE		<input type="checkbox"/> 575V / 3 PHASE	
			FLA	LRA	FLA	LRA	FLA	LRA
X6424	25.0	1.15	64.2	349	32.1	175	25.6	140
X6425	30.0	1.15	79.8	416	39.9	208	31.9	166
X6426	40.0	1.15	103	513	51.7	257	41.4	205
X6427	50.0	1.15	Not available		64.3	362	51.4	290
X6428	60.0	1.15	Not available		74.9	415	59.9	332